



MORRIS

B20115EWX



ΟΔΗΓΙΕΣ ΧΡΗΣΗΣ

ΨΥΓΕΙΟΚΑΤΑΨΥΚΤΗΣ / REFRIGERATOR






USER MANUAL

Διαβάστε προσεκτικά τις Οδηγίες Χρήσης πριν χρησιμοποιήσετε τη συσκευή
Please read this manual carefully before use this product

Thank you for choosing this product.

This user manual contains important information on safety and instructions intended to assist you in the operation and maintenance of your appliance.

Please take the time to read this user manual before using your appliance and keep this book for future reference.

Icon	Type	Meaning
	WARNING	Serious injury or death risk
	RISK OF ELECTRIC SHOCK	Dangerous voltage risk
	FIRE	Warning; Risk of fire / flammable materials
	CAUTION	Injury or property damage risk
	IMPORTANT	Operating the system correctly

CONTENTS

1 SAFETY INSTRUCTIONS	4
1.1 General Safety Warnings	4
1.2 Installation warnings	8
1.3 During Usage.....	8
2 DESCRIPTION OF THE APPLIANCE	10
2.1 Dimensions.....	11
3 USING THE APPLIANCE	12
3.1 Information about New Generation Cooling Technology	12
3.2 Display and Control Panel	12
3.3 Operating your Fridge Freezer	13
3.3.1 Super Freeze Mode.....	13
3.3.2 Super Cool Mode	13
3.3.3 Economy Mode.....	14
3.3.4 Holiday Mode.....	14
3.3.5 Drink Cool Mode.....	14
3.3.6 Screen Saver Mode.....	15
3.3.7 The Child Lock Function.....	15
3.4 Temperature Settings	15
3.4.1 Freezer Temperature Settings	15
3.4.2 Cooler Temperature Settings.....	15
3.4.3 Door Open Alarm Function	16
3.5 Temperature Settings Warnings	16
3.6 Accessories	17
3.6.1 Ice Tray (<i>In some models</i>)	17
3.6.2 The Freezer Box.....	17
3.6.3 The Chill Drawer (<i>In some models</i>)	17
3.6.4 The Fresh Dial (<i>In some models</i>)	18
3.6.5 Adjustable Door Shelf (<i>In some models</i>)	18
3.6.6 Adjustable Glass Shelf (<i>In some models</i>).....	19
3.6.7 Natural Ion Tech (<i>In some models</i>).....	19
3.6.8 Maxi-fresh preserver (If available).....	19
4 FOOD STORAGE	20
4.1 Refrigerator Compartment.....	20
4.2 Freezer Compartment	21
5 CLEANING AND MAINTENANCE	23
5.1 Defrosting	24
6 SHIPMENT AND REPOSITIONING	24
6.1 Transportation and Changing Positioning	24
6.2 Repositioning the Door.....	24

7 BEFORE CALLING AFTER-SALES SERVICE	25
8 TIPS FOR SAVING ENERGY	27
9 TECHNICAL DATA	27
10 INFORMATION FOR TEST INSTITUTES	28
11 CUSTOMER CARE AND SERVICE	28

1 SAFETY INSTRUCTIONS

1.1 General Safety Warnings

Read this user manual carefully.

⚠ WARNING: Keep ventilation openings, in the appliance enclosure or in the built-in structure, clear of obstruction.

⚠ WARNING: Do not use mechanical devices or other means to accelerate the defrosting process, other than those recommended by the manufacturer.

⚠ WARNING: Do not use electrical appliances inside the food storage compartments of the appliance, unless they are of the type recommended by the manufacturer.

⚠ WARNING: Do not damage the refrigerant circuit.

⚠ WARNING: When positioning the appliance, ensure the supply cord is not trapped or damaged.

⚠ WARNING: Do not locate multiple portable socket-outlets or portable power supplies at the rear of the appliance.

⚠ WARNING: In order to avoid any hazards resulting from the instability of the appliance, it must be fixed in accordance with the instructions.

⚠ If your appliance uses R600a as a refrigerant (this information will be provided on the label of the cooler) you should take care during transportation and installation to prevent the cooler elements from being damaged. R600a is an environmentally friendly and

natural gas, but it is explosive. In the event of a leak due to damage of the cooler elements, move your fridge away from open flames or heat sources and ventilate the room where the appliance is located for a few minutes.

- While carrying and positioning the fridge, do not damage the cooler gas circuit.
- Do not store explosive substances such as aerosol cans with a flammable propellant in this appliance.
- This appliance is intended to be used in household and domestic applications such as:
 - staff kitchen areas in shops, offices and other working environments.
 - farm houses and by clients in hotels, motels and other residential type environments.
 - bed and breakfast type environments;
 - catering and similar non-retail applications.
- If the socket does not match the refrigerator plug, it must be replaced by the manufacturer, a service agent or similarly qualified persons in order to avoid a hazard.
- A specially grounded plug has been connected to the power cable of your refrigerator. This plug should be used with a specially grounded socket of 16 amperes. If there is no such socket in your house, please have one installed by an authorised electrician.

- This appliance can be used by children aged from 8 years and above and persons with reduced physical, sensory or mental capabilities or lack of experience and knowledge if they have been given supervision or instruction concerning use of the appliance in a safe way and understand the hazards involved. Children shall not play with the appliance. Cleaning and user maintenance shall not be made by children without supervision.
- Children aged from 3 to 8 years are allowed to load and unload refrigerating appliances. Children are not expected to perform cleaning or user maintenance of the appliance, very young children (0-3 years old) are not expected to use appliances, young children (3-8 years old) are not expected to use appliances safely unless continuous supervision is given, older children (8-14 years old) and vulnerable people can use appliances safely after they have been given appropriate supervision or instruction concerning use of the appliance. Very vulnerable people are not expected to use appliances safely unless continuous supervision is given.
- If the supply cord is damaged, it must be replaced by the manufacturer, an authorised service agent or similar qualified persons, in order to avoid a hazard.
- This appliance is not intended for use at altitudes exceeding 2000 m.

To avoid contamination of food, please respect the following instructions:

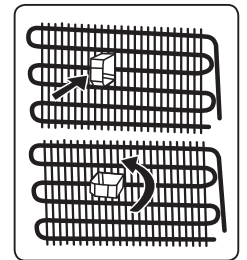
- Opening the door for long periods can cause a significant increase of the temperature in the compartments of the appliance.
- Clean regularly surfaces that can come in contact with food and accessible drainage systems
- Store raw meat and fish in suitable containers in the refrigerator, so that it is not in contact with or drip onto other food.
- Two-star frozen-food compartments are suitable for storing pre-frozen food, storing or making ice cream and making ice cubes.
- One-, two- and three-star compartments are not suitable for the freezing of fresh food.
- If the refrigerating appliance is left empty for long periods, switch off, defrost, clean, dry, and leave the door open to prevent mould developing within the appliance.

1.2 Installation warnings

Before using your fridge freezer for the first time, please pay attention to the following points:

- The operating voltage for your fridge freezer is 220-240 V at 50Hz.
- The plug must be accessible after installation.
- Your fridge freezer may have an odour when it is operated for the first time. This is normal and the odour will fade when your fridge freezer starts to cool.
- Before connecting your fridge freezer, ensure that the information on the data plate (voltage and connected load) matches that of the mains electricity supply. If in doubt, consult a qualified electrician.
- Insert the plug into a socket with an efficient ground connection. If the socket has no ground contact or the plug does not match, we recommend you consult a qualified electrician for assistance.
- The appliance must be connected with a properly installed fused socket. The power supply (AC) and voltage at the operating point must match with the details on the name plate of the appliance (the name plate is located on the inside left of the appliance).
- We do not accept responsibility for any damages that occur due to ungrounded usage.
- Place your fridge freezer where it will not be exposed to direct sunlight.
- Your fridge freezer must never be used outdoors or exposed to rain.
- Your appliance must be at least 50 cm away from stoves, gas ovens and heater cores, and at least 5 cm away from electrical ovens.
- If your fridge freezer is placed next to a deep freezer, there must be at least 2 cm between them to prevent humidity forming on the outer surface.

- Do not cover the body or top of fridge freezer with lace. This will affect the performance of your fridge freezer.
- Clearance of at least 150 mm is required at the top of your appliance. Do not place anything on top of your appliance.
- Do not place heavy items on the appliance.
- Clean the appliance thoroughly before use (see Cleaning and Maintenance).
- Before using your fridge freezer, wipe all parts with a solution of warm water and a teaspoon of sodium bicarbonate. Then, rinse with clean water and dry. Return all parts to the fridge freezer after cleaning.
- Use the adjustable front legs to make sure your appliance is level and stable. You can adjust the legs by turning them in either direction. This must be done before placing food in the appliance.
- Install the two plastic distance guides (the parts on the black vanes -condenser- at the rear) by turning it 90° (as shown in the figure) to prevent the condenser from touching the wall.
- The distance between the appliance and back wall must be a maximum of 75 mm.



1.3 During Usage

- Do not connect your fridge freezer to the mains electricity supply using an extension lead.
- Do not use damaged, torn or old plugs.
- Do not pull, bend or damage the cord.
- Do not use plug adapter.
- This appliance is designed for use by adults. Do not allow children to play with the appliance or hang off the door.
- Never touch the power cord/plug with wet hands. This may cause a short circuit or electric shock.
- Do not place glass bottles or cans in the ice-making compartment as they will burst when the contents freeze.

- Do not place explosive or flammable material in your fridge. Place drinks with high alcohol content vertically in the fridge compartment and make sure their tops are tightly closed.
- When removing ice from the ice-making compartment, do not touch it. Ice may cause frost burns and/or cuts.
- Do not touch frozen goods with wet hands. Do not eat ice-cream or ice cubes immediately after they are removed from the ice-making compartment.
- Do not re-freeze thawed frozen food. This may cause health issues such as food poisoning.

Old and Out-of-order Fridges

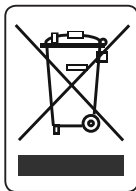
- If your old fridge or freezer has a lock, break or remove the lock before discarding it, because children may get trapped inside it and may cause an accident.
- Old fridges and freezers contain isolation material and refrigerant with CFC. Therefore, take care not to harm environment when you are discarding your old fridges.

CE Declaration of conformity

We declare that our products meet the applicable European Directives, Decisions and Regulations and the requirements listed in the standards referenced.

Disposal of your old appliance

The symbol on the product or on its packaging indicates that this product may not be treated as household waste. Instead it shall be handed over to the applicable collection point for the recycling of electrical and electronic equipment. By ensuring this product is disposed of correctly, you will help prevent potential negative consequences for the environment and human health, which could otherwise be caused by inappropriate waste handling of this product. For more detailed information about recycling of this product, please contact your local city office, your household waste disposal service or the shop where you purchased the product.



Packaging and the Environment

Packaging materials protect your machine from damage that may occur during transportation.



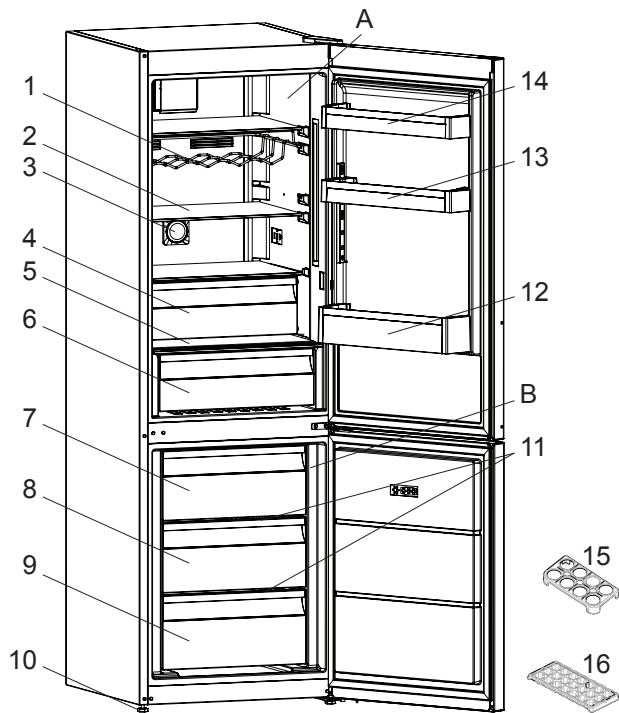
The packaging materials are environmentally friendly as they are recyclable. The use of recycled material reduces raw material consumption and therefore decreases waste production.


Notes:

- Please read the instruction manual carefully before installing and using your appliance. We are not responsible for the damage occurred due to misuse.
- Follow all instructions on your appliance and instruction manual, and keep this manual in a safe place to resolve the problems that may occur in the future.
- This appliance is produced to be used in homes and it can only be used in domestic environments and for the specified purposes. It is not suitable for commercial or common use. Such use will cause the guarantee of the appliance to be cancelled and our company will not be responsible for any losses incurred.
- This appliance is produced to be used in houses and it is only suitable for cooling / storing foods. It is not suitable for commercial or common use and/or for storing substances except for food. Our company is not responsible for any losses incurred by inappropriate usage of the appliance.

2 DESCRIPTION OF THE APPLIANCE

This appliance is not intended to be used as a built-in appliance.



 This presentation is only for information about the parts of the appliance. Parts may vary according to the appliance model.

A) Refrigerator compartment

B) Freezer compartment

1) Wine rack *

2) Refrigerator shelves

3) Ioniser *

4) Chiller *

5) Crisper cover

6) Crisper

7) Freezer upper basket

8) Freezer middle basket

9) Freezer bottom basket

10) Levelling feet

11) Freezer glass shelves

12) Bottle shelf

13) Adjustable door shelf * / door shelf

14) Door shelf

15) Egg holder

16) Ice box tray

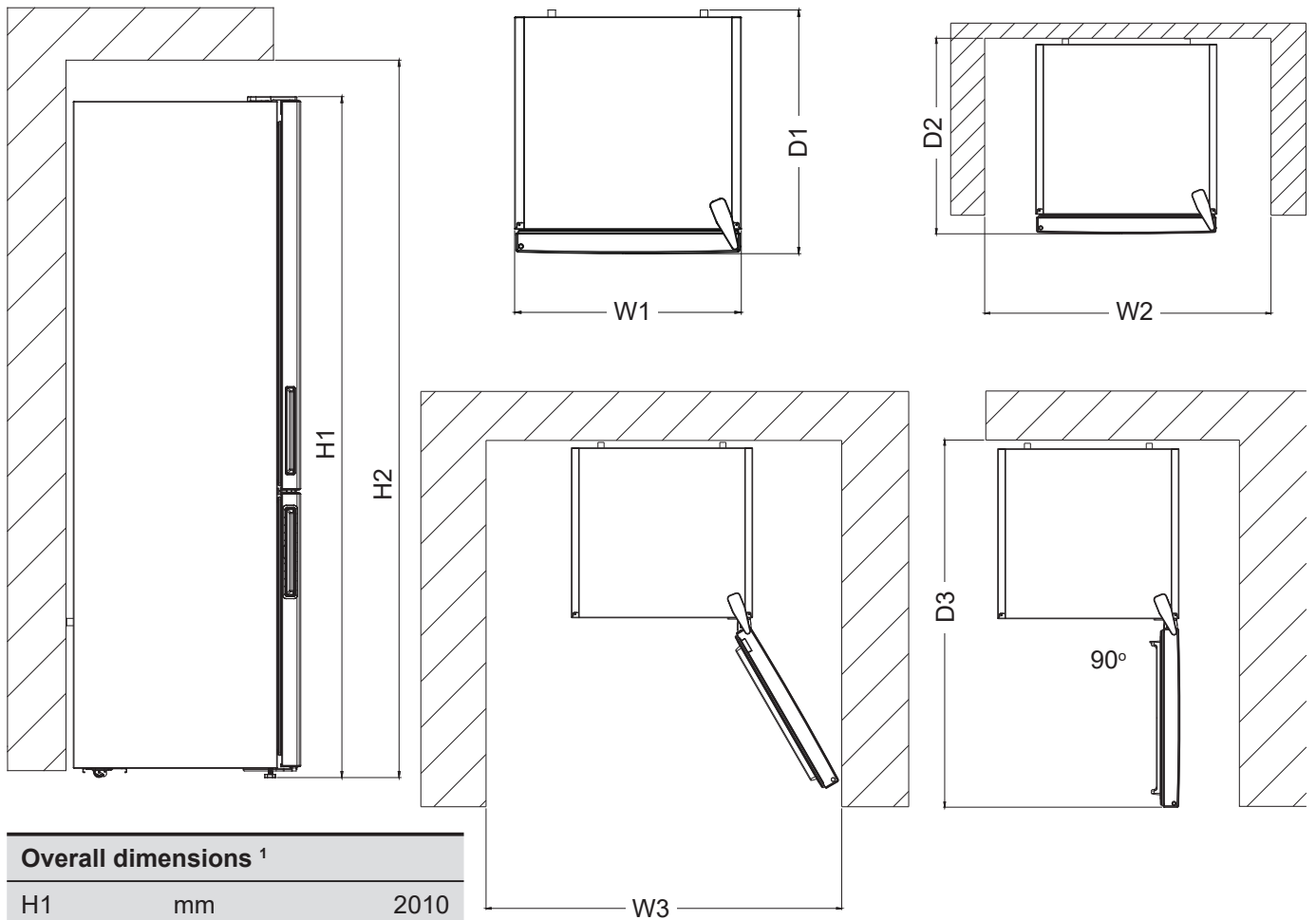
* In some models

General notes:

Fresh Food Compartment (Fridge): Most efficient use of energy is ensured in the configuration with the drawers in the bottom part of the appliance, and shelves evenly distributed, position of door bins does not affect energy consumption.

Freezer Compartment (Freezer): Most Efficient use of energy is ensured in the configuration with the drawers and bins are on stock position.

2.1 Dimensions



Overall dimensions ¹

H1	mm	2100
W1	mm	595
D1	mm	650

¹ the height, width and depth of the appliance without the handle.

Space required in use ²

H2	mm	2160
W2	mm	695
D2	mm	744,1

² the height, width and depth of the appliance including the handle, plus the space necessary for free circulation of the cooling air.

Overall space required in use ³

W3	mm	981,6
D3	mm	1243,5

³ the height, width and depth of the appliance including the handle, plus the space necessary for free circulation of the cooling air, plus the space necessary to allow door opening to the minimum angle permitting removal of all internal equipment.

3 USING THE APPLIANCE

3.1 Information about New Generation Cooling Technology

Fridges with new-generation cooling technology have a different operating system to static fridges. Other (static) fridges may experience a build up of ice in the freezer compartment due to door openings and humidity in the food. In such fridges, regular defrosting is required; the fridge must be switched off, the frozen food moved to a suitable container and the ice which has formed in the freezer compartment removed.

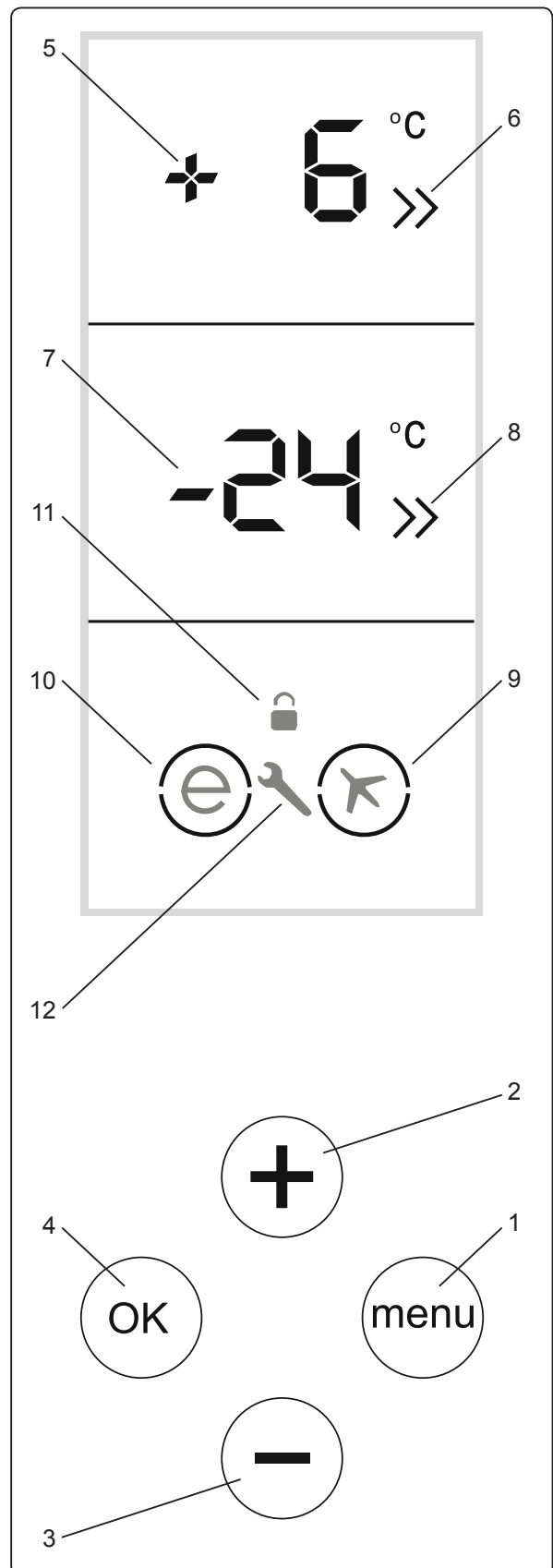
In fridges with new-generation cooling technology, a fan blows dry cold air evenly throughout the fridge and freezer compartments. The cold air cools your food evenly and uniformly, preventing humidity and ice build-up.

In the refrigerator compartment, air blown by the fan, located at the top of the refrigerator compartment, is cooled while passing through the gap behind the air duct. At the same time, the air is blown out through the holes in the air duct, evenly spreading cool air throughout the refrigerator compartment.

There is no air passage between the freezer and refrigerator compartments, therefore preventing the mixing of odours.

As a result, your fridge, with new-generation cooling technology, provides you with ease of use as well as a huge volume and aesthetic appearance.

3.2 Display and Control Panel



Using the Control Panel

1. Menu button to activate economy mode
2. Enables the temperature value to be changed in the fridge compartment and allows the super cooling mode to be activated. The temperature value for the

cooling compartment can be adjusted to 8, 6, 5, 4, 2 °C, or SC.

3. Enables the temperature value to be changed in the freezer compartment and allows the super freezing mode to be activated. The temperature value for the freezer compartment can be adjusted to -16, -18, -20, -22, -24 °C, or SF.
4. Mode selection / Confirmation button
5. Temperature adjustment indicator for the fridge compartment
6. Super cooling indicator
7. Temperature adjustment indicator for the freezer compartment
8. Super freezing indicator
9. Holiday mode symbol
10. Economy mode symbol
11. Child Lock symbol
12. Alarm / Service call symbol

3.3 Operating your Fridge Freezer

Lighting (If available)

When the product is plugged in for the first time, the interior lights may turn on 1 minute late due to opening tests.

After the appliance is plugged in, all symbols will appear for 2 seconds, then the start-up values will appear as -18 °C on the freezer setting indicator and +4 °C on the cooler setting indicator.

All buttons on the control panel are touch-operated (only press to activate the button you want to operate).

3.3.1 Super Freeze Mode


How to Use?


- Press the freezer temperature setting button, then the "OK" button until the letters SF are displayed on the freezer compartment display. You will hear a beeping sound and the mode will be active. If the "OK" button is not pressed within 9 seconds after the SF letters are displayed, the previously selected freezer temperature will be activated.


- When this mode is selected, the letters SF will be displayed on the freezer temperature display.

During This Mode:

- The cooler temperature values can be changed and super cooling mode can be selected.
- Economy and holiday modes cannot be selected.
- Super freezing mode can be deactivated by pressing the freezer temperature setting button. After pressing this button, the SF icon will start blinking. While the SF icon is blinking, press the "-" button and select the required value for the freezer. After selecting the value for the freezer, press the "OK" button again to deactivate SF mode.

 The maximum amount of fresh food (in kilograms) that can be frozen within 24 hours is shown on the appliance label.

 For optimal appliance performance at maximum freezer capacity, set the appliance to SF mode 3 hours before you put fresh food into the freezer.

 Super freeze mode will automatically cancel after 24 hours, depending on the environmental temperature or when the freezer sensor reaches a sufficiently low temperature.

3.3.2 Super Cool Mode

How to Use?

- Press the fridge temperature setting button, then the "OK" button until the letters SC are displayed on the cooling compartment display. You will hear a beeping sound and the mode will activate. If the "OK" button is not pressed within 9 seconds after the letters SC are displayed, the previously selected cooling temperature will activate.
- When this mode is selected, 'SC' will be displayed on the cooling temperature display.

During This Mode:

- Freezer temperature values can be changed and super freeze mode can be selected.
- Economy and holiday modes cannot be selected.
- Super cooling mode can be deactivated by pressing the cooler temperature setting button. After pressing this button, the SC icon will start to blink. While the SC icon is blinking, press the “+” button and select the desired value for the cooler. After selecting the value, press the “OK” button again to deactivate SC mode.



Super freeze mode will automatically cancel after 4 or 6 hours depending on the environmental temperature or when the freezer reaches a sufficiently low temperature.

3.3.3 Economy Mode

How to Use?

- Press the Menu button until a circle appears around the economy symbol, then press the OK button within 9 seconds. The buzzer will sound twice to confirm the mode is active.
- Cancel the economy mode before selecting holiday mode. Then, use the Menu button to select holiday mode.
- If you do not press any button within 1 second after pressing the Menu button, the mode will be cancelled.

During This Mode:

- The freezer partition temperature can be changed. After cancelling economy mode, the selected freezer temperature will be active.
- The cooler partition temperature can be changed. After cancelling economy mode, the selected cooler temperature will be active.
- The super cool and super freeze modes can be selected. In this case, economy mode will automatically cancel and the selected mode will be activated.

- Use the Menu button to select holiday mode after cancelling economy mode.
- Press the Menu button until both circles disappear to cancel the mode, then press the OK button.

3.3.4 Holiday Mode

How to Use?

- Press the Menu button until a circle appears around the holiday mode symbol, then press the OK button within 9 seconds. The buzzer will sound twice to confirm the mode is active.
- Cancel holiday mode before selecting economy mode. Then, use the Menu button to select economy mode.
- If you do not press any button within 1 second after pressing the Menu button, holiday mode will be cancelled.


During This Mode:

- The freezer partition temperature can be changed. After cancelling holiday mode, the selected freezer temperature will be active.
- The cooler partition temperature can be changed. After cancelling holiday mode, the selected cooler temperature will be active.
- The super cool and super freeze modes can be selected. In this case, holiday mode will automatically cancel and the selected mode will activate.
- Cancel holiday mode before selecting economy mode. Then, use the Menu button to select economy mode.
- Press the Mode button until both circles disappear, then press 'OK' to cancel the mode.

3.3.5 Drink Cool Mode

- Press the freezer temperature adjustment button for 3 seconds.
- The temperature indicator for the freezer compartment will display “dc” and the temperature indicator for the fridge indicator will blink “05”.

- Press the cooler temperature setting button to adjust the time.
- The selectable times are 05, 10, 15, 20, 25, and 30 minutes.
- Once the desired time is selected, the time will blink on the display 3 times and a beep will sound.
- If no other button is pressed within 2 seconds, the mode will be selected.
- The selected time will decrease minute by minute, and the time remaining will flash on the display.
- In order to cancel the drink cooling mode, press the temperature adjustment button again for 3 seconds.

 You must adjust the time according to the temperature of the bottles before placing the bottles in the appliance.

- For example, you can set the time as “5 minutes” in the beginning. After this time, if the cooling is insufficient, you might set it for another 5 or 10 minutes.
- When using this mode, you must check the temperature of the bottles regularly. When the bottles have cooled sufficiently, you must remove them from the appliance.
- If bottles are left in the appliance for too long with quick drink mode selected, the bottles will explode.

3.3.6 Screen Saver Mode

How to Use?

- Press the Menu button 3 times to activate screen saver mode.
- To cancel screen saver mode, press any button, then press the Menu button for 3 seconds.
- To disable the lights of the fridge, press the freezer setting button, the fridge setting button and the Menu button simultaneously. Then, open and close the fridge door 3 times. From then on, unless this function is cancelled using the same method, the lights of the fridge will not turn on.

3.3.7 The Child Lock Function

Purpose


Child lock is available on the appliance to prevent unintentional or accidental changes to the appliance settings.

Activating Child Lock

Simultaneously press the Cooler and Freezer Temperature Setting buttons for 5 seconds.

Deactivating Child Lock

Simultaneously press the Cooler and Freezer Temperature setting buttons for 5 seconds.

 Child lock will deactivate in the case of a power cut or if the appliance is unplugged.

3.4 Temperature Settings

3.4.1 Freezer Temperature Settings

- Each time you press the freezer compartment adjustment button, a lower temperature will be set (-16 °C, -18 °C, -20 °C, -22 °C, -24 °C, or SF). If you continue to press the button, the values will restart from -16 °C.
- To set the adjusted temperature, press the “OK” button within 9 seconds after the desired temperature value is reached.
- When you press the freezer compartment adjustment button until the super freezing symbol is displayed, and the “OK” button within 9 seconds, 'SF' (Super Freezing) on the display will flash.

3.4.2 Cooler Temperature Settings

- Each time the cooling compartment adjustment button is pressed, a lower temperature will be set (+8 °C, +6 °C, +5 °C, +4 °C, +2 °C, or SC). If you continue to press the button, the values will restart from +8 °C.
- To set the adjusted temperature, press the “OK” button within 9 seconds after the desired temperature value is reached.

- When you press the cooling compartment adjustment button until the super cooling symbol is displayed, press the “OK” button within 9 seconds, 'SC' (Super Cooling) on the display will flash.

Recommended Settings for the Freezer and Cooler Compartment Temperature

Freezer Compartment	Cooler Compartment	Remarks
-18 °C	4 °C	For regular use and best performance.
-20 °C, -22 °C or -24 °C	4 °C	Recommended when environmental temperature exceeds 30°C.
SF	4 °C	Must be used when you wish to freeze food in a short period of time.
-18 °C, -20 °C, -22 °C or -24 °C	2 °C	These temperature settings must be used when the environmental temperature is high or if you think the refrigerator compartment is not cool enough because the door is being opened frequently.
-18 °C, -20 °C, -22 °C or -24 °C	SC	Must be used when the refrigerator compartment is overloaded with food or when food needs to be cooled quickly.

3.4.3 Door Open Alarm Function

If fridge door is opened more than 2 minutes, appliance sounds ‘beep beep’.

3.5 Temperature Settings Warnings

- Your appliance is designed to operate in the ambient temperature ranges stated in the standards, according to the climate class stated in the information label. It is not recommended that your fridge is operated in the environments which are

outside of the stated temperature ranges. This will reduce the cooling efficiency of the appliance.

- Temperature adjustments should be made according to the frequency of door openings, the quantity of food kept inside the appliance and the ambient temperature in the location of your appliance.
- When the appliance is first switched on, allow it to run for 24 hours in order to reach operating temperature. During this time, do not open the door and do not keep a large quantity of food inside.
- A 5 minute delay function is applied to prevent damage to the compressor of your appliance when connecting or disconnecting to mains, or when an energy breakdown occurs. Your appliance will begin to operate normally after 5 minutes.

Climate class and meaning:

T (tropical): This refrigerating appliance is intended to be used at ambient temperatures ranging from 16 °C to 43 °C.

ST (subtropical): This refrigerating appliance is intended to be used at ambient temperatures ranging from 16 °C to 38 °C.

N (temperate): This refrigerating appliance is intended to be used at ambient temperatures ranging from 16 °C to 32 °C.

SN (extended temperate): This refrigerating appliance is intended to be used at ambient temperatures ranging from 10 °C to 32 °C.

Important installation instructions

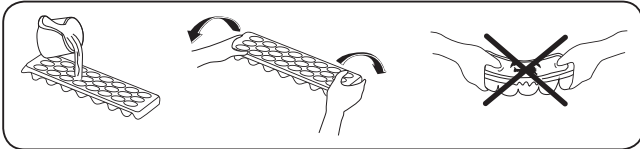
This appliance is designed to work in difficult climate conditions and is powered with ‘Freezer Shield’ technology which ensures that the frozen food in the freezer will not defrost even if the ambient temperature falls as low as -15 °C. So you may then install your appliance in an unheated room without having to worry about frozen food in the freezer being spoilt. When the ambient temperature returns to normal, you may continue using the appliance as usual.

3.6 Accessories

Visual and text descriptions in the accessories section may vary according to the model of your appliance.

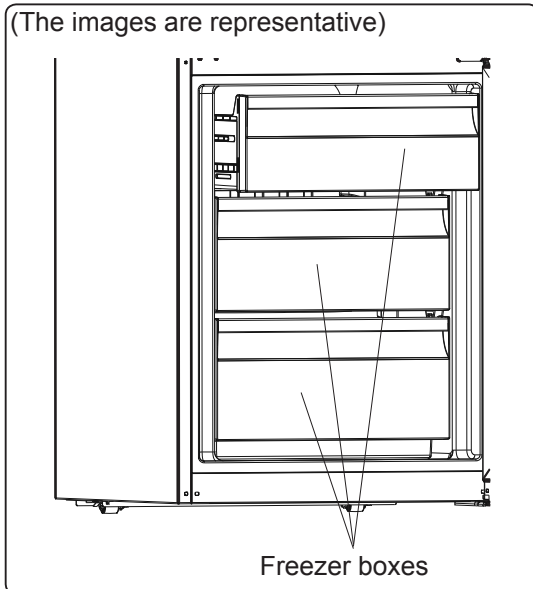
3.6.1 Ice Tray (In some models)

- Fill the ice tray with water and place in the freezer compartment.
- After the water has completely frozen, you can twist the tray as shown below to remove the ice cubes.

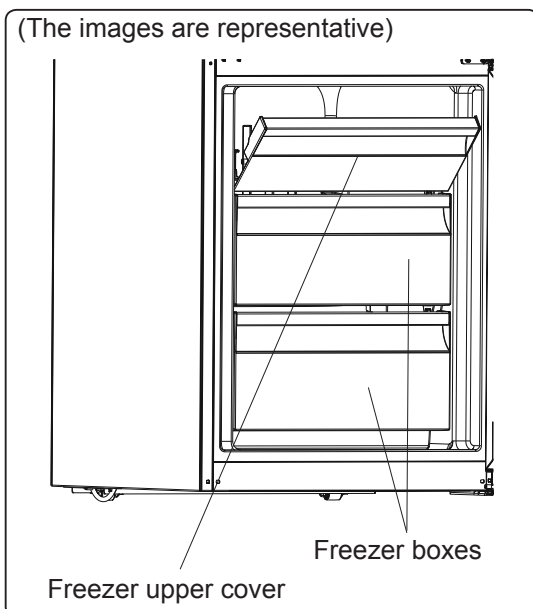


3.6.2 The Freezer Box

The freezer box allows food to be accessed more easily.





or



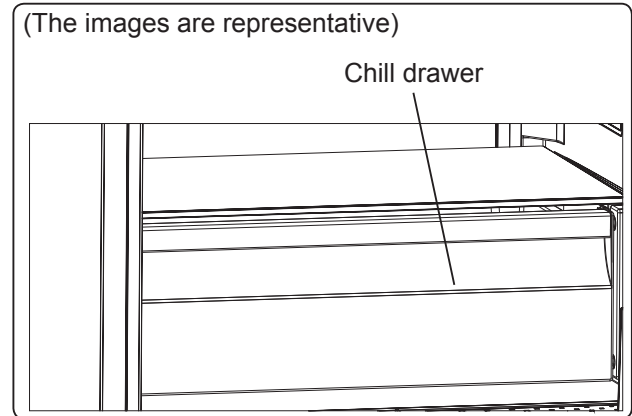
Removing the freezer box:

- Pull the box out as far as possible
- Pull the front of the box up and out

 Carry out the opposite of this operation when refitting the sliding compartment.

 Always keep hold of the handle of the box while removing it.


3.6.3 The Chill Drawer (In some models)



Keeping food in the chill drawer, instead of the freezer or refrigerator compartments, allows food to retain freshness and flavour for longer, while preserving its fresh appearance. When the chill drawer tray becomes dirty, remove it and wash with water.

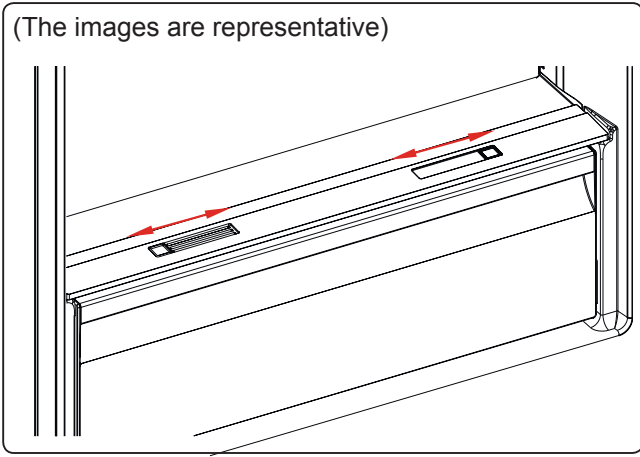
(Water freezes at 0°C, but food containing salt or sugar freezes at temperatures lower than this).

The chill drawer is usually used for storing foods such as raw fish, lightly pickled food, rice, and so on.

 **Do not put food you want to freeze or ice trays (to make ice) in the chill drawer.**

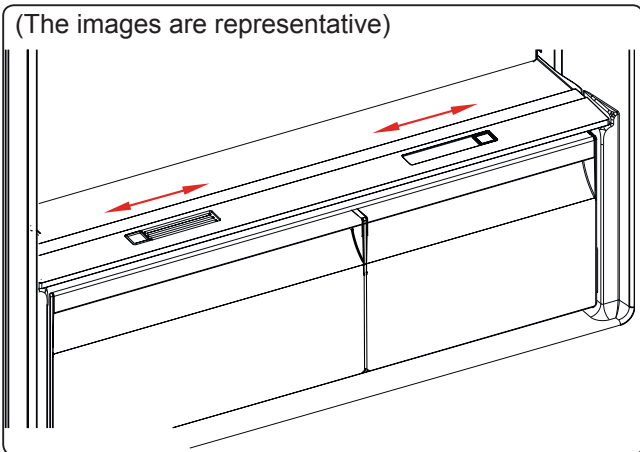
3.6.4 The Fresh Dial (In some models)

(The images are representative)



or

(The images are representative)



If the crisper is full, the fresh dial located in front of the crisper should be opened. This allows the air in the crisper and the humidity rate to be controlled, to increase the life of food within.

The dial, located behind the shelf, must be opened if any condensation is seen on the glass shelf.

3.6.5 Adjustable Door Shelf (In some models)

Six different height adjustments can be made to provide storage areas that you need by adjustable door shelf.

To change the position of adjustable door shelf ;

Hold the bottom of the shelf and pull the buttons on the side of the door shelf direction of arrow.

(Fig.1)

Position door shelf the height you need by moving up and down. After you get the position that you want the door shelf, release the buttons on the side of the door shelf (Fig.2) Before releasing the door shelf, move up down and make sure the door shelf is fixed.

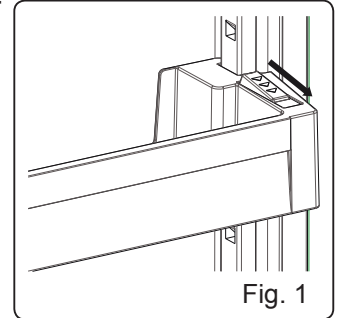


Fig. 1

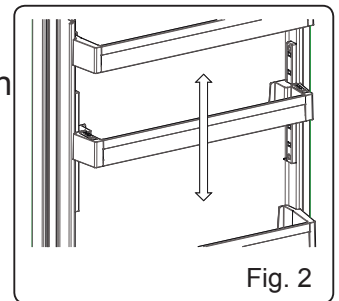
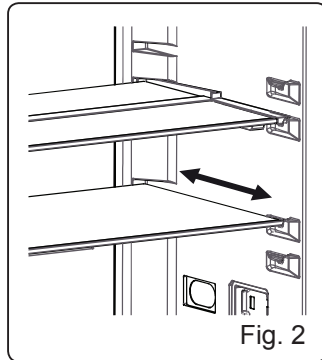
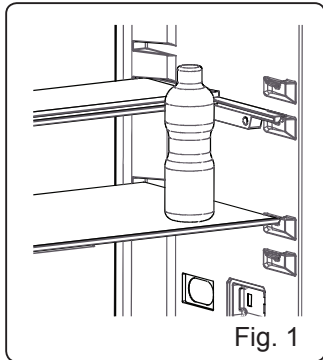


Fig. 2

Note: Before moving door shelf is loaded, you must hold the shelf by supporting the bottom. Otherwise, door shelf could fall off the rails due to the weight. So damage may occur on the door shelf or rails.

3.6.6 Adjustable Glass Shelf (In some models)

Adjustable glass shelf mechanism provides higher storage spaces with a simple movement. To cover the glass shelf, push it.

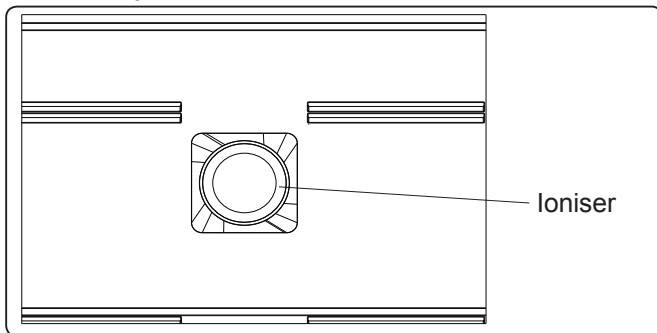


You can load your food as you want in the resulting extra space. To bring the shelf in its original position, pull it toward you.

3.6.7 Natural Ion Tech (In some models)

Natural Ion Tech spreads negative ions which neutralize particles of unpleasant smell and dust in the air.

By removing these particles from the air in the refrigerator, Natural Ion Tech improves air quality and eliminates odours.



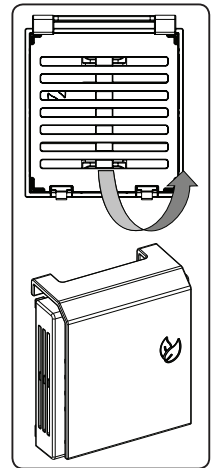
- This feature is optional. It may not exist on your product.
- The location of your ioniser device may vary from product to product.

3.6.8 Maxi-fresh preserver (If available)

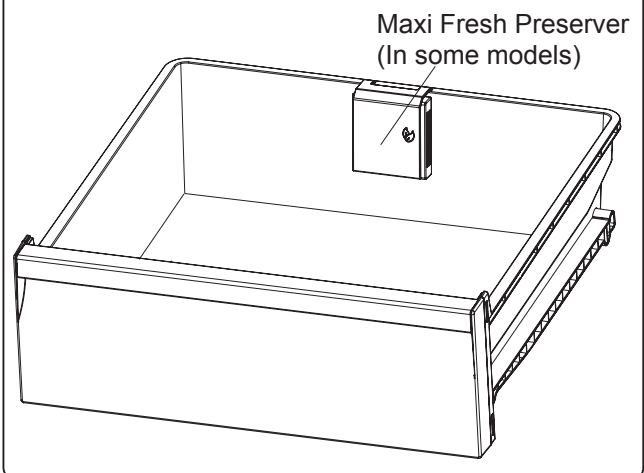
Maxi Fresh Preserver technology helps to remove ethylene gas (a volatile organic compound released naturally from fresh foods) and unpleasant odors from the crisper.

In this way, food stays fresh for a longer time.

- Maxi Fresh Preserver must be cleaned once in a year. The filter should be waited for 2 hours at 65°C in a oven.
- To clean the filter, please remove the back cover of the filter box by pulling it in the direction of the arrow.
- The filter should not be washed with water or any detergent.



(The images are representative)



Visual and text descriptions in the accessories section may vary according to the model of your appliance.

4 FOOD STORAGE

4.1 Refrigerator Compartment

For normal operating conditions, set the temperature of the cooler compartment to +4 or +6 °C.

- To reduce humidity and avoid the consequent formation of frost, always store liquids in sealed containers in the refrigerator. Frost tends to concentrate in the coldest parts of the evaporating liquid and, in time, your appliance will require more frequent defrosting.
- Cooked dishes must remain covered when they are kept in the fridge. Do not place warm foods in fridge. Place them when they are cool, otherwise the temperature/humidity inside the fridge will increase, reducing the fridge's efficiency.
- Make sure no items are in direct contact with the rear wall of the appliance as frost will develop and packaging will stick to it. Do not open the refrigerator door frequently.
- We recommend that meat and clean fish are loosely wrapped and stored on the glass shelf just above the vegetable bin where the air is cooler, as this provides the best storage conditions.
- Store loose fruit and vegetable items in the crisper containers.
- Storing fruit and vegetables separately helps prevent ethylene-sensitive vegetables (green leaves, broccoli, carrot, etc.) being affected by ethylene-releasing fruits (banana, peach, apricot, fig etc.).
- Do not put wet vegetables into the refrigerator.
- Storage time for all food products depends on the initial quality of the food and an uninterrupted refrigeration cycle before refrigerator storage.
- Water leaking from meat may contaminate other products in the refrigerator. You should package meat

products and clean any leakages on the shelves.

- Do not put food in front of the air flow passage.
- Consume packaged foods before the recommended expiry date.

Do not allow food to come into contact with the temperature sensor, which is located in the refrigerator compartment, in order to keep the refrigerator compartment at optimum temperature.

- For normal working conditions, it will be sufficient to adjust the temperature setting of your refrigerator to +4 °C.
- The temperature of the fridge compartment should be in the range of 0-8 °C, fresh foods below 0 °C are iced and rotted, bacterial load increases above 8 °C, and spoils.
- Do not put hot food in the refrigerator immediately, wait for the temperature to pass outside. Hot foods increase the degree of your refrigerator and cause food poisoning and unnecessary spoiling of the food.
- Meat, fish, etc. should be stored in the chiller compartment of the food, and the vegetable compartment is preferred for vegetables. (if available)
- To prevent cross contamination, meat products and fruit vegetables are not stored together.
- Foods should be placed in the refrigerator in closed containers or covered to prevent moisture and odors.

The table below is a quick guide to show you the most efficient way to store the major food groups in your refrigerator compartment.

Food	Maximum storage time	How and where to store
Vegetables and fruits	1 week	Vegetable bin
Meat and fish	2 - 3 days	Wrap in plastic foil, bags, or in a meat container and store on the glass shelf

Food	Maximum storage time	How and where to store
Fresh cheese	3 - 4 days	On the designated door shelf
Butter and margarine	1 week	On the designated door shelf
Bottled products e.g. milk and yoghurt	Until the expiry date recommended by the producer	On the designated door shelf
Eggs	1 month	On the designated egg shelf
Cooked food	2 days	All shelves

NOTE:



Potatoes, onions and garlic should not be stored in the refrigerator.

4.2 Freezer Compartment

For normal operating conditions, set the temperature of the freezer compartment to -18 or -20 °C.

- The freezer is used for storing frozen food, freezing fresh food, and making ice cubes.
- Food in liquid form should be frozen in plastic cups and other food should be frozen in plastic folios or bags. For freezing fresh food; wrap and seal fresh food properly, that is the packaging should be air tight and shouldn't leak. Special freezer bags, aluminum foil polythene bags and plastic containers are ideal.
- Do not store fresh food next to frozen food as it can thaw the frozen food.
- Before freezing fresh food, divide it into portions that can be consumed in one sitting.
- Consume thawed frozen food within a short period of time after defrosting
- Always follow the manufacturer's instructions on food packaging when storing frozen food. If no information is provided food, should not be stored for more than 3 months from the date of purchase.


- When purchasing frozen food, make sure that it has been stored under appropriate conditions and that the packaging is not damaged.
- Frozen food should be transported in appropriate containers and placed in the freezer as soon as possible.
- Do not purchase frozen food if the packaging shows signs of humidity and abnormal swelling. It is probable that it has been stored at an unsuitable temperature and that the contents have deteriorated.
- The storage life of frozen food depends on the room temperature, the thermostat setting, how often the door is opened, the type of food, and the length of time required to transport the product from the shop to your home. Always follow the instructions printed on the packaging and never exceed the maximum storage life indicated.
- If the freezer door has been left open for a long time or not closed properly, frost will form and can prevent efficient air circulation. To resolve this, unplug the freezer and wait for it to defrost. Clean the freezer once it has fully defrosted.
- The freezer volume stated on the label is the volume without baskets, covers, and so on.
- Do not refreeze thawed food. It may pose a danger to your health and cause problems such as food poisoning.

NOTE: If you attempt to open the freezer door immediately after closing it, you will find that it will not open easily. This is normal. Once equilibrium has been reached, the door will open easily.

- To use the maximum capacity of the freezer compartment, use the glass shelves for the upper and middle section, and use the lower basket for the bottom section.



The table below is a quick guide to show you the most efficient way to store the major food groups in your freezer compartment.

Meat and fish	Preparation	Maximum storage time (months)
Steak	Wrap in foil	6 - 8
Lamb meat	Wrap in foil	6 - 8
Veal roast	Wrap in foil	6 - 8
Veal cubes	In small pieces	6 - 8
Lamb cubes	In pieces	4 - 8
Minced meat	In packaging without using spices	1 - 3
Giblets (pieces)	In pieces	1 - 3
Bologna sausage/salami	Should be kept packaged even if it has a membrane	1 - 3
Chicken and turkey	Wrap in foil	4 - 6
Goose and duck	Wrap in foil	4 - 6
Deer, rabbit, wild boar	In 2.5 kg portions or as fillets	6 - 8
Freshwater fish (Salmon, Carp, Crane, Catfish)	After cleaning the bowels and scales of the fish, wash and dry it. If necessary, remove the tail and head.	2
Lean fish (Bass, Turbot, Flounder)		4
Fatty fishes (Tuna, Mackerel, Bluefish, Anchovy)		2 - 4
Shellfish	Clean and in a bag	4 - 6
Caviar	In its packaging, or in an aluminium or plastic container	2 - 3
Snails	In salty water, or in an aluminium or plastic container	3
 NOTE: Thawed frozen meat should be cooked as fresh meat. If the meat is not cooked after defrosting, it must not be re-frozen.		




Vegetables and Fruits	Preparation	Maximum storage time (months)
String beans and beans	Wash, cut into small pieces and boil in water	10 - 13
Beans	Hull, wash and boil in water	12
Cabbage	Clean and boil in water	6 - 8
Carrot	Clean, cut into slices and boil in water	12
Pepper	Cut the stem, cut into two pieces, remove the core and boil in water	8 - 10
Spinach	Wash and boil in water	6 - 9
Cauliflower	Remove the leaves, cut the heart into pieces and leave it in water with a little lemon juice for a while	10 - 12
Eggplant	Cut into pieces of 2cm after washing	10 - 12
Corn	Clean and pack with its stem or as sweet corn	12
Apple and pear	Peel and slice	8 - 10
Apricot and Peach	Cut into two pieces and remove the stone	4 - 6

Vegetables and Fruits	Preparation	Maximum storage time (months)
Strawberry and Blackberry	Wash and hull	8 - 12
Cooked fruits	Add 10 % of sugar to the container	12
Plum, cherry, sourberry	Wash and hull the stems	8 - 12

	Maximum storage time (months)	Thawing time at room temperature (hours)	Thawing time in oven (minutes)
Bread	4 - 6	2 - 3	4-5 (220-225 °C)
Biscuits	3 - 6	1 - 1,5	5-8 (190-200 °C)
Pastry	1 - 3	2 - 3	5-10 (200-225 °C)
Pie	1 - 1,5	3 - 4	5-8 (190-200 °C)
Phyllo dough	2 - 3	1 - 1,5	5-8 (190-200 °C)
Pizza	2 - 3	2 - 4	15-20 (200 °C)

Dairy products	Preparation	Maximum storage time (months)	Storage conditions
Packet (Homogenized) Milk	In its own packet	2 - 3	Pure Milk – in its own packet
Cheese - excluding white cheese	In slices	6 - 8	Original packaging may be used for short-term storage. Keep wrapped in foil for longer periods.
Butter, margarine	In its packaging	6	


5 CLEANING AND MAINTENANCE

-  Disconnect the unit from the power supply before cleaning.
-  Do not wash your appliance by pouring water on it.
-  Do not use abrasive products, detergents or soaps for cleaning the appliance. After washing, rinse with clean water and dry carefully. When you have finished cleaning, reconnect the plug to the mains supply with dry hands.
- Make sure that no water enters the lamp housing and other electrical components.
- The appliance should be cleaned regularly using a solution of bicarbonate of soda and lukewarm water.
- Clean the accessories separately by hand with soap and water. Do not wash accessories in a dish washer.

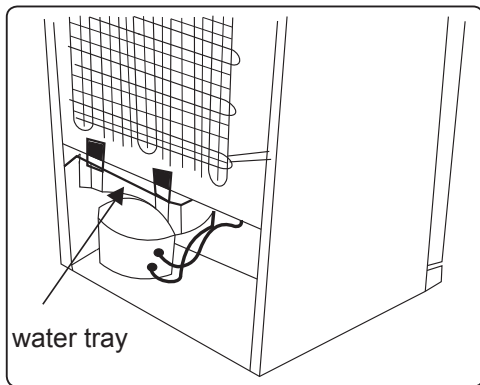
- Clean the condenser with a brush at least twice a year. This will help you to save on energy costs and increase productivity.

  **The power supply must be disconnected during cleaning.**

Cleaning Door Glasses

-  Water based products which are not abrasive should be used in cleaning glasses.


5.1 Defrosting

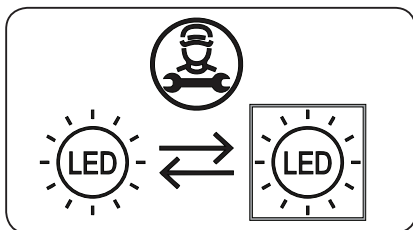


- Your appliance performs automatic defrosting. The water formed as a result of defrosting passes through the water collection spout, flows into the water tray behind your appliance and evaporates there.
- Make sure you have disconnected the plug of your appliance before cleaning the water tray.
- Remove the water tray from its position by removing the screws (if it has screws). Clean it with soapy water at specific time intervals. This will prevent odours from forming.

Replacing LED Lighting

To replace any of the LEDs, please contact the nearest Authorised Service Centre.

 **Note:** The numbers and location of the LED strips may change according to the model.



If product equipped with LED lamp

This product contains a light source of energy efficiency class <E>.


If product equipped with LED Strip(s) or LED card(s)


This product contains a light source of energy efficiency class <F>.

6 SHIPMENT AND REPOSITIONING

6.1 Transportation and Changing Positioning

- The original packaging and foam may be kept for re-transportation (optional).
- Fasten your appliance with thick packaging, bands or strong cords and follow the instructions for transportation on the packaging.
- Remove all movable parts or fix them into the appliance against shocks using bands when re-positioning or transporting.

 Always carry your appliance in the upright position.

 **Important Note:** Pay attention to glass surface when transporting.

6.2 Repositioning the Door

- It is not possible to change the opening direction of your appliance door if door handles are installed on the front surface of the appliance door.
- It is possible to change the opening direction of the door on models with handle on the side of the door or without handles.
- If the door-opening direction of your appliance can be changed, contact the nearest Authorised Service Centre to change the opening direction.

7 BEFORE CALLING AFTER-SALES SERVICE

Errors

Your fridge will warn you if the temperatures for the cooler and freezer are at improper levels or if a problem occurs with the appliance. Warning codes are displayed in the freezer and cooler indicators.

ERROR TYPE	MEANING	WHY	WHAT TO DO
SR	"Failure" Warning	There is/are some part(s) out of order or there is a failure in the cooling process.	Call a service agent for assistance as soon as possible.
LF	Freezer compartment is not cold enough	This warning especially appears if there has been a power failure for a long period or when the refrigerator is operated for the first time.	<ol style="list-style-type: none"> 1. Use food within a short time period. Do not freeze foods that has thawed. 2. Set the freezer temperature to colder values or set the Super Freeze until the compartment gets to normal temperature. 3. Do not put fresh food in the appliance until the fault has cleared.
LC	Refrigerator compartment is not cold enough	This warning especially appears if there has been a power failure for a long period or when the refrigerator is operated for the first time. Ideal temperature for the refrigerator compartment is +4 °C. If you see this warning, your foods are at risk of spoiling.	<ol style="list-style-type: none"> 1. Set the refrigerator temperature to colder values or set the Super Cooling mode until the compartment reaches normal temperature. 2. Open the door as little as possible until the fault clears.
LF and LC	"Not cold enough" Warning	This is a combination of the LF and LC error types.	You will see this failure when first starting the appliance. It will clear after the compartments reach normal temperature.
HC	Refrigerator compartment too cold	The food will start to freeze because the temperature is too cold.	<ol style="list-style-type: none"> 1. Check if the Super Cooling mode is switched on. 2. Decrease the refrigerator temperature values.
LOPO	"Low voltage" Warning	This is seen when the power supply becomes lower than 170 V.	This not a failure. This prevents any damage to the compressor. This warning will clear after the voltage reaches the required level.

If you are experiencing a problem with your **appliance**, please check the following before contacting the after-sales service.

Your appliance is not operating

Check if:

- There is power
- The plug is correctly placed in the socket
- The plug fuse or the mains fuse has blown

- The socket is defective. To check this, plug another working appliance into the same socket.

The appliance performs poorly

Check if:

- The appliance is overloaded
- The appliance door is closed properly
- There is any dust on the condenser
- There is enough space near the rear and side walls.

Your appliance is operating noisily

Normal noises

Cracking noise occurs:

- During automatic defrosting
- When the appliance is cooled or warmed (due to expansion of appliance material).

Short cracking noise occurs: When the thermostat switches the compressor on/off.

Motor noise: Indicates the compressor is operating normally. The compressor may cause more noise for a short time when it is first activated.

Bubbling noise and splash occurs: Due to the flow of the refrigerant in the tubes of the system.

Water flowing noise occurs: Due to water flowing to the evaporation container. This noise is normal during defrosting.

Air blowing noise occurs: In some models during normal operation of the system due to the circulation of air.

The edges of the appliance in contact with the door joint are warm

Especially during summer (warm seasons), the surfaces in contact with the door joint may become warmer during the operation of the compressor, this is normal.

There is a build-up of humidity inside the appliance

Check if:

- All food is packed properly. Containers must be dry before being placed in the **appliance**.
- The **appliance** door is opened frequently. Humidity of the room enters the **appliance** when the doors are opened. Humidity increases faster when the doors are opened more frequently, especially if the humidity of the room is high.

The door does not open or close properly

Check if:

- There is food or packaging preventing the door from closing

- The door joints are broken or torn
- Your **appliance** is on a level surface.

Recommendations

- If the appliance is switched off or unplugged, wait at least 5 minutes before plugging the appliance in or restarting it in order to prevent damage to the compressor.
- If you will not use your appliance for a long time (e.g. in summer holidays) unplug it. Clean your appliance according to chapter cleaning and leave the door open to prevent humidity and smell.
- If a problem persists after you have followed all the above instructions, please consult the nearest authorised service centre.
- The appliance you have purchased is designed for domestic use only. It is not suitable for commercial or common use. If the consumer uses the appliance in a way that does not comply with this, we emphasise that the manufacturer and the dealer will not be responsible for any repair and failure within the guarantee period.

8 TIPS FOR SAVING ENERGY

1. Install the appliance in a cool, well-ventilated room, but not in direct sunlight and not near a heat source (such as a radiator or oven) otherwise an insulating plate should be used.
2. Allow warm food and drinks to cool before placing them inside the appliance.
3. Place thawing food in the refrigerator compartment if available. The low temperature of the frozen food will help cool the refrigerator compartment while the food is thawing. This will save energy. Frozen food left to thaw outside of the appliance will result in a waste of energy.
4. Drinks or other liquids should be covered when inside the appliance. If left uncovered, the humidity inside the appliance will increase, therefore the appliance uses more energy. Keeping drinks and other liquids covered helps preserve their smell and taste.
5. Avoid keeping the doors open for long periods and opening the doors too frequently as warm air will enter the appliance and cause the compressor to switch on unnecessarily often.
6. Keep the covers of the different temperature compartments (such as the crisper and chiller if available) closed.
7. The door gasket must be clean and pliable. In case of wear, replace the gasket.

9 TECHNICAL DATA

The technical information is situated in the rating plate on the internal side of the appliance and on the energy label.

The QR code on the energy label supplied with the appliance provides a web link to the information related to the performance of the appliance in the EU EPREL database.

Keep the energy label for reference together with the user manual and all other documents provided with this appliance.

It is also possible to find the same information in EPREL using the link <https://eprel.ec.europa.eu> and the model name and product number that you find on the rating plate , the appliance.

See the link www.theenergylabel.eu for detailed information about the energy label.

10 INFORMATION FOR TEST INSTITUTES

Appliance for any EcoDesign verification shall be compliant with EN 62552.

Ventilation requirements, recess dimensions and minimum rear clearances shall be as stated in this User Manual at Chapter 2. Please contact the manufacturer for any other further information, including loading plans.

11 CUSTOMER CARE AND SERVICE

Always use original spare parts.

When contacting our Authorised Service Centre, ensure that you have the following data available: Model, Serial Number and Service Index.

The information can be found on the rating plate. You can find the rating label inside the fridge zone on the left lower side.






The original spare parts for some specific components are available for a minimum of 7 or 10 years, based on the type of component, from the placing on the market of the last unit of the model.

Visit our website to:
www.morris.gr

Ευχαριστούμε που επιλέξατε αυτό το προϊόν.

Το εγχειρίδιο χρήστη περιέχει σημαντικές πληροφορίες σχετικά με την ασφάλεια, και οδηγίες που σκοπό έχουν να σας βοηθήσουν στο χειρισμό και τη συντήρηση της συσκευής σας.

Παρακαλούμε να αφιερώσετε τον χρόνο που χρειάζεται για να διαβάσετε αυτό το εγχειρίδιο χρήστη πριν χρησιμοποιήσετε τη συσκευή σας και να φυλάξετε αυτό το εγχειρίδιο για μελλοντική αναφορά.

Εικονίδιο	Τύπος	Σημασία
	ΠΡΟΕΙΔΟΠΟΙΗΣΗ	Κίνδυνος σοβαρού τραυματισμού ή θανάτου
	ΚΙΝΔΥΝΟΣ ΗΛΕΚΤΡΟΠΛΗΞΙΑΣ	Κίνδυνος από επικίνδυνη ηλεκτρική τάση
	ΦΩΤΙΑ	Προειδοποίηση: Κίνδυνος φωτιάς / εύφλεκτα υλικά
	ΠΡΟΣΟΧΗ	Κίνδυνος τραυματισμού ή υλικών ζημιών
	ΣΗΜΑΝΤΙΚΟ	Σωστή χρήση του συστήματος

Περιεχόμενα

1 ΟΔΗΓΙΕΣ ΑΣΦΑΛΕΙΑΣ	32
1.1 Γενικές προειδοποιήσεις ασφαλείας	32
1.2 Προειδοποιήσεις για την εγκατάσταση	37
1.3 Κατά τη χρήση	38
2 ΠΕΡΙΓΡΑΦΗ ΤΗΣ ΣΥΣΚΕΥΗΣ	39
2.1 Διαστάσεις	40
3 ΧΡΗΣΗ ΤΗΣ ΣΥΣΚΕΥΗΣ.....	41
3.1 Πληροφορίες σχετικά με την τεχνολογία ψύξης νέας γενιάς	41
3.2 Οθόνη και πίνακας ελέγχου	41
3.3 Χρήση του Ψυγειοκαταψύκτη σας	42
3.3.1 Λειτουργία Ταχείας Κατάψυξης	42
3.3.2 Λειτουργία Ταχείας Ψύξης	43
3.3.3 Λειτουργία Οικονομίας	43
3.3.4 Λειτουργία Διακοπών	44
3.3.5 Λειτουργία Ψύξης ποτών	44
3.3.6 Λειτουργία Προφύλαξης Οθόνης	45
3.3.7 Η λειτουργία Κλείδωμα προστασίας	45
3.4 Ρυθμίσεις Θερμοκρασίας.....	45
3.4.1 Ρυθμίσεις Θερμοκρασίας Καταψύκτη	45
3.4.2 Ρυθμίσεις θερμοκρασίας Ψυγείου	45
3.4.3 Λειτουργία Ειδοποίησης Ανοικτής Πόρτας	46
3.5 Προειδοποιήσεις ρυθμίσεων θερμοκρασίας	46
3.6 Αξεσουάρ.....	47
3.6.1 Παγοθήκη (Σε ορισμένα μοντέλα).....	47
3.6.2 Κουτί καταψύκτη	47
3.6.3 Συρτάρι έντονης ψύξης (Σε ορισμένα μοντέλα)	48
3.6.4 Ρυθμιστής Φρεσκάδας (Σε ορισμένα μοντέλα).....	48
3.6.5 Ρυθμιζόμενο ράφι πόρτας (Σε ορισμένα μοντέλα).....	49
3.6.6 Ρυθμιζόμενο γυάλινο ράφι(Σε ορισμένα μοντέλα)	49
3.6.7 Natural Ion Tech (Σε ορισμένα μοντέλα).....	49
3.6.8 Maxi Fresh Preserver (Αν διατίθεται).....	50
4 ΦΥΛΑΞΗ ΤΡΟΦΙΜΩΝ	50
4.1 Θάλαμος Ψυγείου.....	50
4.2 Θάλαμος Καταψύκτη	51
5 ΚΑΘΑΡΙΣΜΟΣ ΚΑΙ ΣΥΝΤΗΡΗΣΗ	55
5.1 Απόψυξη.....	55
6 ΜΕΤΑΦΟΡΑ ΚΑΙ ΑΛΛΑΓΗ ΘΕΣΗΣ.....	56
6.1 Μεταφορά και αλλαγή θέσης	56
6.2 Αλλαγή θέσης της πόρτας.....	56

7 ΠΡΙΝ ΚΑΛΕΣΕΤΕ ΤΗΝ ΥΠΗΡΕΣΙΑ ΕΞΥΠΗΡΕΤΗΣΗΣ ΠΕΛΑΤΩΝ	57
8 ΣΥΜΒΟΥΛΕΣ ΓΙΑ ΕΞΟΙΚΟΝΟΜΗΣΗ ΕΝΕΡΓΕΙΑΣ	59
9 ΤΕΧΝΙΚΑ ΧΑΡΑΚΤΗΡΙΣΤΙΚΑ	60
10 ΠΛΗΡΟΦΟΡΙΕΣ ΓΙΑ ΙΝΣΤΙΤΟΥΤΑ ΔΟΚΙΜΩΝ	60
11 ΕΞΥΠΗΡΕΤΗΣΗ ΠΕΛΑΤΩΝ ΚΑΙ ΣΕΡΒΙΣ	60

1 ΟΔΗΓΙΕΣ ΑΣΦΑΛΕΙΑΣ

1.1 Γενικές προειδοποιήσεις ασφαλείας

Διαβάστε αυτό το εγχειρίδιο χρήστη προσεκτικά.

! ΠΡΟΕΙΔΟΠΟΙΗΣΗ: Διατηρείτε ελεύθερα από περιορισμούς τα ανοίγματα αερισμού στο περίβλημα της συσκευής ή στην κατασκευή εντοιχισμού.

! ΠΡΟΕΙΔΟΠΟΙΗΣΗ: Μη χρησιμοποιείτε μηχανικές διατάξεις ή άλλα μέσα για να επιταχύνετε τη διαδικασία απόψυξης, εκτός από αυτά που συνιστώνται από τον κατασκευαστή.


! ΠΡΟΕΙΔΟΠΟΙΗΣΗ: Μη χρησιμοποιείτε ηλεκτρικές συσκευές μέσα στους θαλάμους φύλαξης τροφίμων της συσκευής, εκτός αν αυτές είναι του τύπου που συνιστά ο κατασκευαστής.

! ΠΡΟΕΙΔΟΠΟΙΗΣΗ: Μην προξενήσετε ζημιά στο ψυκτικό κύκλωμα.

! ΠΡΟΕΙΔΟΠΟΙΗΣΗ: Όταν τοποθετείτε τη συσκευή, βεβαιωθείτε ότι το καλώδιο ρεύματος δεν θα παγιδευτεί και δεν θα υποστεί ζημιά.

! ΠΡΟΕΙΔΟΠΟΙΗΣΗ: Μην τοποθετείτε φορητά πολύπριζα ή φορητά τροφοδοτικά στο πίσω μέρος της συσκευής.

! ΠΡΟΕΙΔΟΠΟΙΗΣΗ: Για να αποφύγετε τυχόν κινδύνους που προκύπτουν από την αστάθεια της συσκευής, αυτή πρέπει να στερεωθεί σύμφωνα με τις οδηγίες.

 Αν η συσκευή σας χρησιμοποιεί R600a ως ψυκτικό μέσο (όπως μπορείτε να δείτε στην πινακίδα στο θάλαμο ψύξης) θα πρέπει να είστε προσεκτικοί κατά τη μεταφορά και την εγκατάστασή της, για να αποφύγετε ζημιές στα στοιχεία του θαλάμου ψύξης. Το R600a είναι ένα φιλικό προς το περιβάλλον και φυσικής προέλευσης αέριο, αλλά είναι εκρηκτικό. Σε περίπτωση διαρροής λόγω ζημιάς στα ψυκτικά στοιχεία, απομακρύνετε το ψυγείο σας από γυμνές φλόγες ή πηγές θερμότητας και αερίστε για λίγα λεπτά το χώρο όπου βρίσκεται η μονάδα.

- Κατά τη μεταφορά και τοποθέτηση του ψυγείου, μην προξενήσετε ζημιά στο κύκλωμα του ψυκτικού αερίου.
- Μην αποθηκεύετε μέσα σε αυτή τη συσκευή υλικά που μπορεί να εκραγούν, όπως είναι τα δοχεία σπρέι με εύφλεκτο προωθητικό μέσο.
- Η συσκευή αυτή προορίζεται για οικιακή χρήση και οικιακού τύπου εφαρμογές, όπως:
 - περιοχές κουζίνας προσωπικού για καταστήματα, γραφεία και άλλα περιβάλλοντα εργασίας.
 - αγροτικά σπίτια και για πελάτες σε ξενοδοχεία, μοτέλ και άλλα περιβάλλοντα οικιακού τύπου.
 - περιβάλλοντα τύπου ενοικιαζόμενου δωματίου με πρωινό.
 - κέτερινγκ και άλλες εφαρμογές μη λιανικής πώλησης.

- Αν η πρίζα δεν ταιριάζει με το φισ του ψυγείου, αυτή πρέπει να αντικατασταθεί από τον κατασκευαστή, τον αντιπρόσωπό του για σέρβις ή άτομα με παρόμοια εξειδίκευση, για την αποφυγή κινδύνου.
- Στο καλώδιο ρεύματος του ψυγείου σας έχει συνδεθεί ένα ειδικά γειωμένο φισ. Αυτό το φισ πρέπει να χρησιμοποιείται με ειδικά γειωμένη πρίζα των 16 αμπέρ. Αν δεν υπάρχει τέτοια πρίζα στο σπίτι σας, αναθέστε σε εξειδικευμένο ηλεκτρολόγο να την εγκαταστήσει.
- Η συσκευή αυτή μπορεί να χρησιμοποιηθεί από παιδιά από 8 ετών και άνω και από άτομα με μειωμένες σωματικές, αισθητηριακές ή πνευματικές ικανότητες ή με έλλειψη εμπειρίας και γνώσης, αν τους παρέχεται επιτήρηση ή καθοδήγηση σχετικά με τη χρήση της συσκευής με ασφαλή τρόπο και κατανοούν τους κινδύνους που ενέχονται. Τα παιδιά δεν πρέπει να παίζουν με τη συσκευή. Ο καθαρισμός και η συντήρηση από το χρήστη δεν πρέπει να γίνονται από παιδιά χωρίς επίβλεψη.
- Παιδιά ηλικίας από 3 έως 8 ετών επιτρέπεται να τοποθετούν και να αφαιρούν τρόφιμα από οικιακές ψυκτικές συσκευές. Τα παιδιά δεν αναμένεται να πραγματοποιούν καθαρισμό ή συντήρηση από τον χρήστη της οικιακής συσκευής, τα πολύ μικρά παιδιά (ηλικίας 0-3 ετών) δεν αναμένεται να χρησιμοποιούν οικιακές συσκευές, τα μικρά παιδιά (3-8 ετών) δεν αναμένεται να χρησιμοποιούν οικιακές συσκευές με ασφάλεια εκτός αν τους παρέχεται διαρκής

επίβλεψη, τα μεγαλύτερα παιδιά (8-14 ετών) και ευπαθή άτομα μπορούν να χρησιμοποιούν οικιακές συσκευές με ασφάλεια αφού τους έχει δοθεί επαρκής επίβλεψη ή καθοδήγηση σχετικά με τη χρήση της οικιακής συσκευής. Τα πολύ ευπαθή άτομα δεν αναμένεται να χρησιμοποιούν τη συσκευή με ασφάλεια εκτός αν τους παρέχεται διαρκής επίβλεψη.

- Αν έχει υποστεί ζημιά το καλώδιο ρεύματος, για να αποφύγετε κινδύνους αυτό πρέπει να αντικατασταθεί από τον κατασκευαστή, έναν εξουσιοδοτημένο εκπρόσωπο σέρβις ή άλλα άτομα με παρόμοια εξειδίκευση.
- Αυτή η συσκευή δεν προορίζεται για χρήση σε υψόμετρο μεγαλύτερο των 2000 μέτρων.

Για την αποφυγή αλλοίωσης των τροφίμων, παρακαλούμε να τηρείτε τις εξής οδηγίες:

- Το άνοιγμα της πόρτας για μεγάλα διαστήματα μπορεί να προκαλέσει σημαντική αύξηση της θερμοκρασίας στους χώρους της συσκευής.
- Καθαρίζετε τακτικά τις επιφάνειες που έρχονται σε επαφή με τρόφιμα, καθώς και τα προσπελάσιμα συστήματα αποστράγγισης
- Αποθηκεύετε νωπό κρέας και ψάρια στο ψυγείο μέσα σε κατάλληλους περιέκτες, ώστε να μην έρχονται σε επαφή με άλλα τρόφιμα ούτε να στάζουν πάνω σε άλλα τρόφιμα.

- Οι χώροι κατεψυγμένων τροφίμων με διαβάθμιση δύο αστέρων είναι κατάλληλοι για διατήρηση ήδη κατεψυγμένων τροφίμων, για διατήρηση ή παρασκευή παγωτού και για την παρασκευή παγοκύβων.
- Οι χώροι με διαβάθμιση ενός αστέρα και δύο ή τριών αστέρων δεν είναι κατάλληλοι για την κατάψυξη νωπών τροφίμων.
- Αν πρόκειται να αφήσετε τη συντήρηση κενή για μεγάλα χρονικά διαστήματα, απενεργοποιήστε την, πραγματοποιήστε απόψυξη, καθαρίστε την, στεγνώστε την και αφήστε την πόρτα ανοικτή για την αποτροπή ανάπτυξης μυκήτων μέσα στη συσκευή.

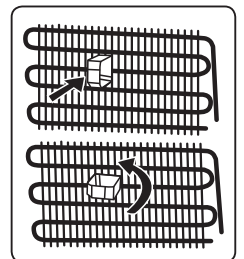
1.2 Προειδοποιήσεις για την εγκατάσταση

Πριν χρησιμοποιήσετε πρώτη φορά τον ψυγιοκαταψύκτη σας, προσέξτε τα εξής σημεία:

- Η τάση λειτουργίας του ψυγιοκαταψύκτη σας είναι 220-240 V στα 50 Hz.
- Το φως πρέπει να είναι εύκολα προσβάσιμο μετά την εγκατάσταση.
- Ο ψυγιοκαταψύκτης σας μπορεί να έχει μια οσμή όταν χρησιμοποιηθεί για πρώτη φορά. Αυτό είναι φυσιολογικό και η οσμή θα εξασθενήσει όταν ο ψυγιοκαταψύκτης σας αρχίσει να κρυώνει.
- Πριν χρησιμοποιήσετε τον ψυγιοκαταψύκτη σας, βεβαιωθείτε ότι οι πληροφορίες στην πινακίδα στοιχείων (τάση και συνδεδεμένο φορτίο) συμφωνούν με αυτές τις παροχές ρεύματος δικτύου. Αν έχετε αμφιβολίες, συμβουλευτείτε έναν ειδικευμένο ηλεκτρολόγο.
- Συνδέστε το φως σε πρίζα με κατάλληλη σύνδεση γείωσης. Αν η πρίζα δεν έχει ακροδέκτη γείωσης ή αν το φως δεν ταιριάζει, συνιστούμε να συμβουλευτείτε έναν ειδικευμένο ηλεκτρολόγο.
- Η συσκευή πρέπει να συνδεθεί με μια σωστά εγκατεστημένη πρίζα που προστατεύεται από ασφάλεια. Η παροχή ρεύματος (AC) και η τάση στο σημείο λειτουργίας πρέπει να συμφωνεί με τα στοιχεία που υπάρχουν στην πινακίδα ονομασίας της συσκευής (η πινακίδα ονομασίας βρίσκεται στο εσωτερικό αριστερό μέρος της συσκευής).
- Δεν αποδεχόμαστε καμία ευθύνη για οποιεσδήποτε ζημιές προκύψουν λόγω χρήσης χωρίς γείωση.
- Τοποθετήστε τον ψυγιοκαταψύκτη σας σε σημείο όπου δεν θα είναι εκτεθειμένος σε άμεση ηλιακή ακτινοβολία.
- Ο ψυγιοκαταψύκτης σας δεν πρέπει να χρησιμοποιείται σε εξωτερικό χώρο ούτε να εκτίθεται σε βροχή.
- Η συσκευή σας πρέπει να βρίσκεται τουλάχιστον 50 cm μακριά από κουζίνες, φούρνους αερίου και σώματα θέρμανσης

και τουλάχιστον 5 cm από ηλεκτρικούς φούρνους.

- Αν ο ψυγιοκαταψύκτης σας τοποθετηθεί δίπλα σε καταψύκτη βαθιάς κατάψυξης, πρέπει να υπάρχει απόσταση τουλάχιστον 2 cm ανάμεσά τους, για την αποτροπή σχηματισμού υγρασίας στην εξωτερική επιφάνεια.
- Μην καλύπτετε το σώμα ή το πάνω μέρος του ψυγιοκαταψύκτη με δαντέλα. Αυτό θα επηρεάσει την απόδοση του ψυγιοκαταψύκτη σας.
- Χρειάζεται διάκενο τουλάχιστον 150 mm πάνω από τη συσκευή σας. Μην τοποθετείτε τίποτα επάνω στη συσκευή σας.
- Μην τοποθετείτε βαριά είδη πάνω στη συσκευή.
- Καθαρίστε τη συσκευή σχολαστικά πριν τη χρήση (δείτε την ενότητα Καθαρισμός και Συντήρηση).
- Πριν χρησιμοποιήσετε τον ψυγιοκαταψύκτη σας, σκουπίστε όλα τα μέρη του με ένα διάλυμα μιας κουταλιάς γλυκού μαγειρικής σόδας σε χλιαρό νερό. Κατόπιν, ξεπλύνετε τα με καθαρό νερό και αφήστε να στεγνώσουν. Επανατοποθετήστε όλα τα μέρη στον ψυγιοκαταψύκτη μετά τον καθαρισμό.
- Χρησιμοποιήστε τα ρυθμιζόμενα μπροστινά πόδια για να διασφαλίσετε ότι η συσκευή σας είναι οριζόντια και σταθερή. Μπορείτε να ρυθμίσετε τα πόδια περιστρέφοντάς τα προς τις δύο κατευθύνσεις. Αυτό πρέπει να γίνει πριν τοποθετηθούν τρόφιμα στη συσκευή.
- Τοποθετήστε τον πλαστικό ρυθμιστή απόστασης (το εξάρτημα με μαύρα πτερύγια στο πίσω μέρος) περιστρέφοντάς τον 90° όπως δείχνει η εικόνα, για να μην έρχεται ο συμπυκνωτής σε επαφή με τον τοίχο
- Η απόσταση ανάμεσα στη συσκευή και τον πίσω της τοίχο πρέπει να είναι το πολύ 75 mm.



1.3 Κατά τη χρήση

- Μη συνδέσετε τον ψυγείοκαταψύκτη σας στην παροχή ρεύματος δικτύου με χρήση καλωδίου επέκτασης.
- Μη χρησιμοποιείτε φις που έχουν υποστεί ζημιά, έχουν ξεκολλήσει ή είναι παλαιωμένα.
- Μην τραβάτε, λυγίζετε ή προξενείτε ζημιά στο καλώδιο.
- Μη χρησιμοποιείτε αντάππορα φις.
- Αυτή η συσκευή έχει σχεδιαστεί για χρήση μόνο από ενήλικα άτομα. Μην επιτρέπετε σε παιδιά να παίζουν με τη συσκευή ή να κρεμιούνται από την πόρτα.
- Ποτέ μην αγγίζετε το καλώδιο ρεύματος/το φις με υγρά χέρια. Αυτό μπορεί να προκαλέσει βραχυκύκλωμα ή ηλεκτροπληξία.
- Μην τοποθετείτε γυάλινα μπουκάλια ή μεταλλικά κουτιά μέσα στο διαμέρισμα παρασκευής πάγου, γιατί θα σπάσουν όταν παγώσουν τα περιεχόμενά τους.
- Μην τοποθετείτε μέσα στο ψυγείο σας εκρηκτικά ή εύφλεκτα υλικά. Τοποθετείτε τα ποτά με υψηλή περιεκτικότητα σε οινόπνευμα όρθια μέσα στο θάλαμο ψυγείου και να βεβαιώνετε ότι τα πώματά τους είναι καλά κλεισμένα.
- Όταν αφαιρείτε πάγο από το διαμέρισμα παρασκευής πάγου, μην τον αγγίζετε με γυμνά χέρια. Ο πάγος μπορεί να προκαλέσει κρουοπαγήματα και/ή να κόψει τα χέρια σας.
- Μην αγγίζετε τα κατεψυγμένα προϊόντα με υγρά χέρια. Μην τρώτε παγωτό ή παγοκύβους αμέσως μετά την αφαίρεσή τους από το διαμέρισμα παρασκευής πάγου.
- Μην καταψύχετε πάλι τρόφιμα που έχετε αποψύξει. Αυτό μπορεί να προκαλέσει προβλήματα υγείας όπως τροφική δηλητηρίαση.

Παλιά και εκτός λειτουργίας ψυγεία

- Αν το παλιό ψυγείο ή ο καταψύκτης σας διαθέτει κλειδαριά, σπάστε ή αφαιρέστε την κλειδαριά πριν το απορρίψετε, επειδή

μπορεί να κλειδωθούν μέσα στο ψυγείο παιδιά και να προκληθεί ατύχημα.

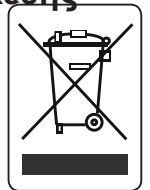
- Τα παλιά ψυγεία και οι ψυγείοκαταψύκτες περιέχουν μονωτικό υλικό και ψυκτικό μέσο CFC. Επομένως, προσέξτε να μην προξενήσετε βλάβη στο περιβάλλον όταν απορρίψετε τα παλιά ψυγεία σας.

Δήλωση συμμόρφωσης CE

Δηλώνουμε ότι τα προϊόντα μας πληρούν τις εφαρμόσιμες Ευρωπαϊκές Οδηγίες, Αποφάσεις και Κανονισμούς και τις απαιτήσεις που υπάρχουν στα αναφερόμενα πρότυπα.

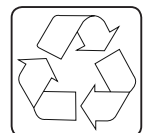
Απόρριψη της παλιάς σας συσκευής

Αυτό το σύμβολο στο προϊόν ή τη συσκευασία του υποδεικνύει ότι το προϊόν αυτό δεν μπορεί να απορριφθεί μαζί με τα οικιακά απορρίμματα. Αντίθετα, πρέπει να παραδοθεί στο αρμόδιο σημείο συλλογής για την ανακύκλωση ηλεκτρικού και ηλεκτρονικού εξοπλισμού. Διασφαλίζοντας τη σωστή απόρριψη αυτού του προϊόντος, θα βοηθήσετε στην αποτροπή δυνητικά αρνητικών συνεπειών για το περιβάλλον και την ανθρώπινη υγεία, που θα μπορούσαν διαφορετικά να προκληθούν από τον ακατάλληλο χειρισμό αυτού του προϊόντος ως αποβλήτου. Για πιο λεπτομερείς πληροφορίες σχετικά με την ανακύκλωση αυτού του προϊόντος, επικοινωνήστε με το αρμόδιο γραφείο του δήμου σας, την υπηρεσία αποκομιδής των οικιακών σας απορριμμάτων ή με το κατάστημα όπου αγοράσατε το προϊόν.



Συσκευασία και το περιβάλλον

Τα υλικά συσκευασίας προστατεύουν τη συσκευή σας από ζημιές που θα μπορούσαν να προκύψουν κατά τη μεταφορά.



Τα υλικά συσκευασίας είναι φιλικά προς το περιβάλλον, αφού είναι ανακυκλώσιμα. Η χρήση ανακυκλωμένων υλικών μειώνει την κατανάλωση πρώτων υλών και επομένως μειώνει την παραγωγή αποβλήτων.

Σημειώσεις:

- Διαβάστε προσεκτικά το εγχειρίδιο οδηγιών πριν την εγκατάσταση και τη χρήση της συσκευής σας. Δεν φέρουμε ευθύνη για ζημιές λόγω κακής χρήσης.
- Τηρείτε όλες τις οδηγίες που αναφέρονται πάνω στη συσκευή σας και στο εγχειρίδιο οδηγιών, και φυλάξτε το εγχειρίδιο αυτό σε ασφαλές μέρος για να σας βοηθήσει να λύσετε προβλήματα που μπορεί να προκύψουν στο μέλλον.
- Αυτή η συσκευή έχει παραχθεί για χρήση σε σπίτια και μπορεί να χρησιμοποιηθεί μόνο σε οικιακό περιβάλλον και για συγκεκριμένους σκοπούς. Δεν είναι κατάλληλη για επαγγελματική ή κοινόχρηστη χρήση. Η χρήση αυτού του είδους θα προκαλέσει ακύρωση της εγγύησης της συσκευής και η εταιρεία μας δεν θα είναι υπεύθυνη για τυχόν απώλειες που θα προκύψουν.
- Αυτή η συσκευή έχει παραχθεί για χρήση σε σπίτια και είναι κατάλληλη μόνο για ψύξη / αποθήκευση τροφίμων. Δεν είναι κατάλληλη για επαγγελματική ή κοινόχρηστη χρήση και/ή για αποθήκευση υλικών άλλων από τρόφιμα. Η εταιρεία μας δεν είναι υπεύθυνη για τυχόν απώλειες που προκύπτουν από ακατάλληλη χρήση της συσκευής.

Γενικές σημειώσεις:

Θάλαμος Νωπών Τροφίμων (Ψυγείο):

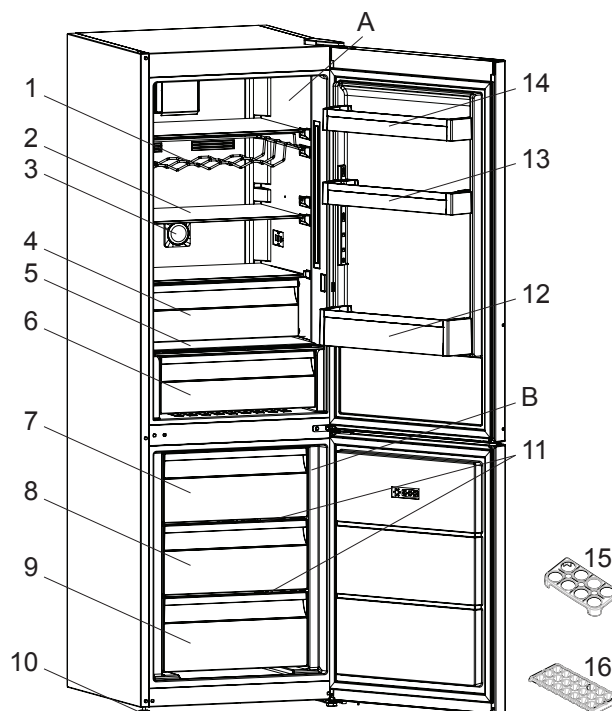
Η πιο αποτελεσματική χρήση ενέργειας διασφαλίζεται στη διαμόρφωση με τα συρτάρια στο κάτω μέρος της συσκευής, και τα ράφια ομοιόμορφα κατανομημένα, ενώ η θέση των θηκών της πόρτας δεν επηρεάζει την κατανάλωση ενέργειας.

Θάλαμος Καταψύκτη (Καταψύκτης):

Η πιο αποτελεσματική χρήση ενέργειας εξασφαλίζεται στη διαμόρφωση με τα συρτάρια και τους κάδους στη θέση παράδοσης.

2 ΠΕΡΙΓΡΑΦΗ ΤΗΣ ΣΥΣΚΕΥΗΣ

Αυτή η συσκευή δεν προορίζεται για χρήση ως εντοιχισμένη.



Η παρουσίαση αυτή αποσκοπεί μόνο σε πληροφόρηση ως προς τα μέρη της συσκευής. Τα μέρη της συσκευής ενδέχεται να διαφέρουν, ανάλογα με το μοντέλο της συσκευής.

A) Θάλαμος ψυγείου

B) Θάλαμος Καταψύκτη

1) Υποδοχές μπουκαλιών κρασιού *

2) Ράφια ψυγείου

3) Ιονιστής *

4) Χώρος έντονης ψύξης *

5) Κάλυμμα συρταριού λαχανικών

6) Συρτάρι λαχανικών

7) Πάνω καλάθι καταψύκτη

8) Μεσαίο καλάθι καταψύκτη

9) Κάτω καλάθι καταψύκτη

10) Πόδια οριζοντίωσης

11) Γυάλινα ράφια καταψύκτη

12) Ράφι μπουκαλιών

13) Ρυθμιζόμενο ράφι πόρτας * / ράφι πόρτας

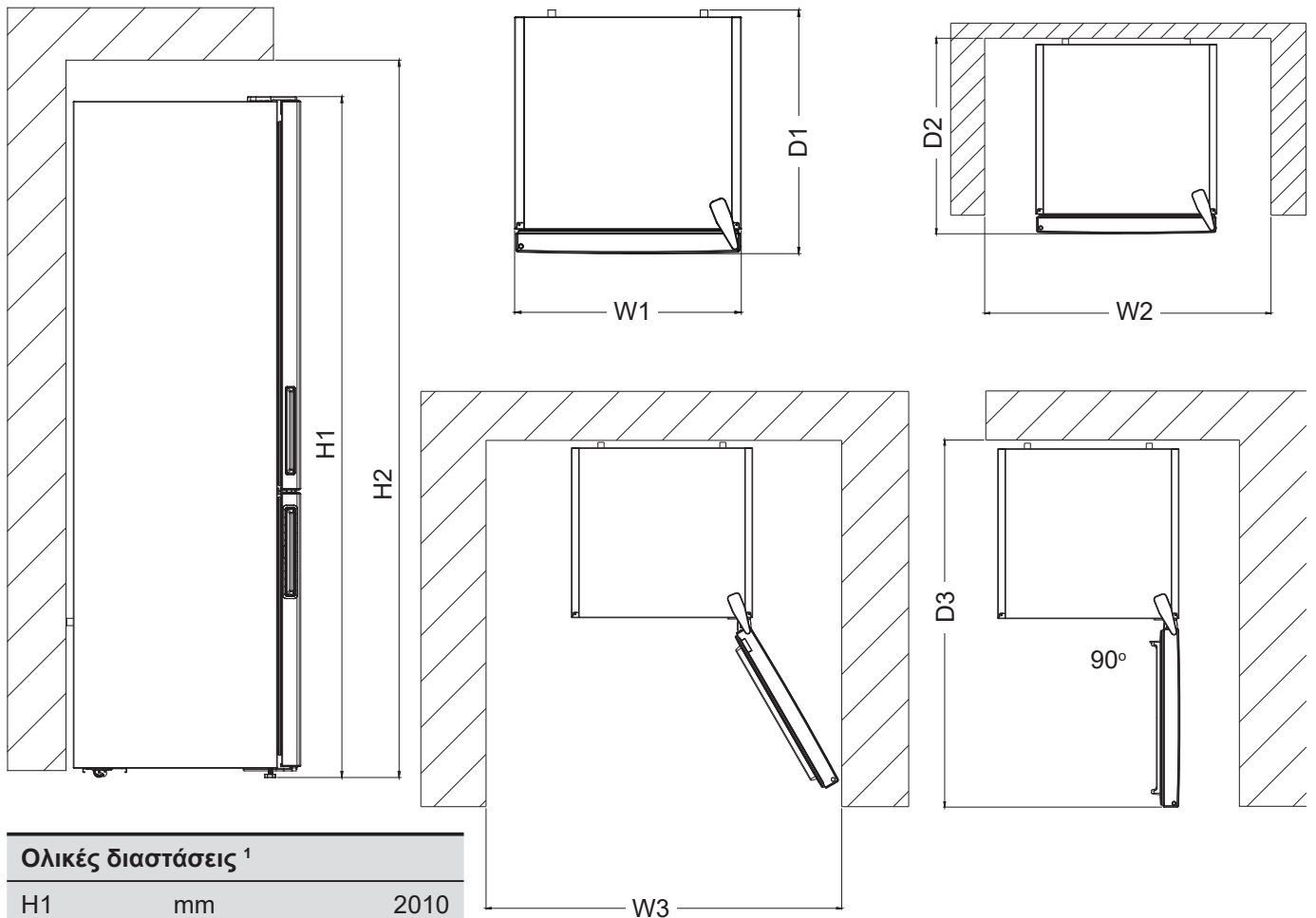
14) Ράφι πόρτας

15) Αυγοθήκη

16) Παγοθήκη

* Σε ορισμένα μοντέλα

2.1 Διαστάσεις



Ολικές διαστάσεις ¹

H1	mm	2010
W1	mm	595
D1	mm	650

¹ το ύψος, πλάτος και βάθος της συσκευής χωρίς τη λαβή

Απαιτούμενος χώρος εν χρήσει ²

H2	mm	2160
W2	mm	695
D2	mm	744,1

² το ύψος, πλάτος και βάθος της συσκευής περιλαμβανομένης της λαβής, συν τον απαραίτητο χώρο για την κυκλοφορία του αέρα ψύξης

Ολικός απαιτούμενος χώρος εν χρήσει ³

W3	mm	981,6
D3	mm	1243,5

³ το ύψος, πλάτος και βάθος της συσκευής περιλαμβανομένης της λαβής, συν τον απαραίτητο χώρο για την κυκλοφορία του αέρα ψύξης, συν τον απαραίτητο χώρο για το άνοιγμα της πόρτας στην ελάχιστη γωνία που επιτρέπει την αφαίρεση του εσωτερικού εξοπλισμού

3 ΧΡΗΣΗ ΤΗΣ ΣΥΣΚΕΥΗΣ

3.1 Πληροφορίες σχετικά με την τεχνολογία ψύξης νέας γενιάς

Τα ψυγεία με την τεχνολογία ψύξης νέας γενιάς έχουν διαφορετικό σύστημα λειτουργίας από τα στατικά ψυγεία. Σε άλλα (στατικά) ψυγεία μπορεί να συσσωρεύεται πάγος στον θάλαμο καταψύκτη λόγω του ανοίγματος της πόρτας και της υγρασίας που περιέχονται στα τρόφιμα. Σε αυτού του είδους τα ψυγεία απαιτείται συχνή απόψυξη: το ψυγείο πρέπει να απενεργοποιείται, τα κατεψυγμένα τρόφιμα να τοποθετούνται σε κατάλληλο δοχείο και να αφαιρείται ο πάγος που σχηματίζεται μέσα στον θάλαμο καταψύκτη.

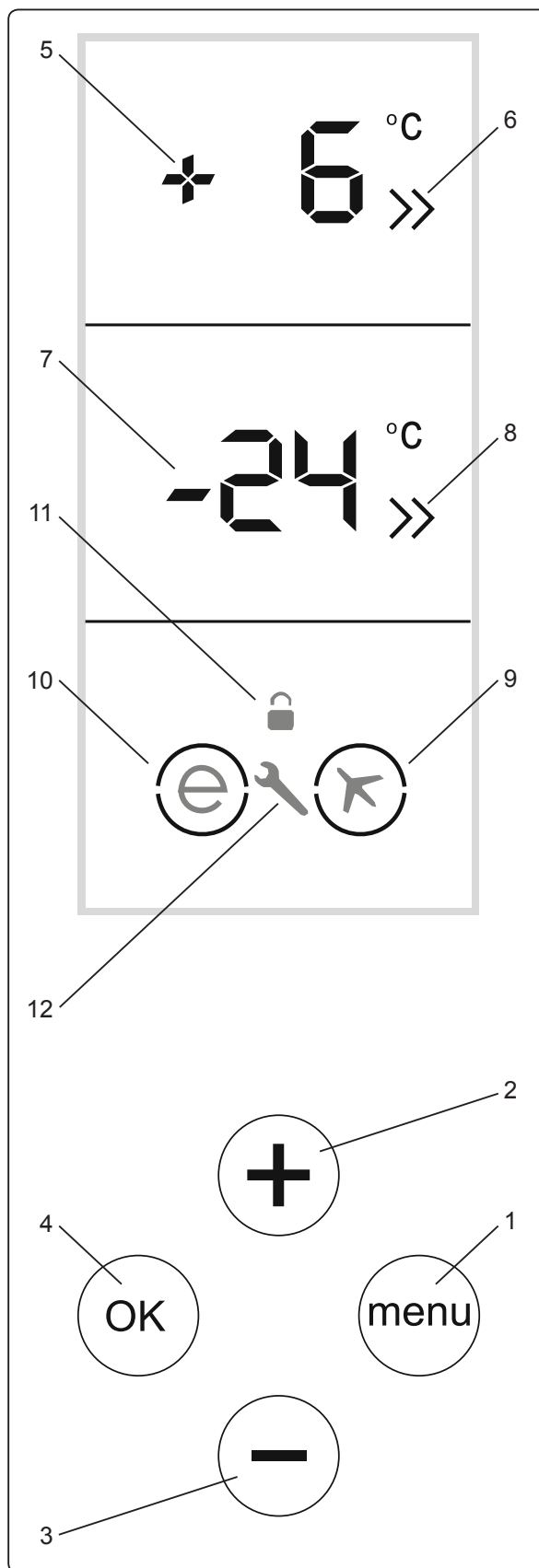
Σε ψυγεία με ψυκτική τεχνολογία νέας γενιάς, ένας ανεμιστήρας φυσάει ξηρό αέρα ομοιόμορφα σε όλο τον χώρο του θαλάμου ψυγείου και θαλάμου καταψύκτη. Ο κρύος αέρας ψύχει τα τρόφιμά σας ομοιόμορφα, αποτρέποντας τη συσσώρευση υγρασία και πάγου.

Μέσα στον θάλαμο του ψυγείου, αέρας που κυκλοφορεί με τη βοήθεια του ανεμιστήρα που βρίσκεται στο πάνω μέρος του θαλάμου, ψύχεται ενώ διέρχεται μέσα από το κενό, πίσω από τον αγωγό του αέρα. Ταυτόχρονα ο κρύος αέρας εξέρχεται από τις οπές στον αγωγό αέρα, ώστε να κατανέμεται ομοιόμορφα σε όλο τον θάλαμο του ψυγείου.

Δεν υπάρχει διέλευση αέρα ανάμεσα στους θαλάμους καταψύκτη και ψυγείου και έτσι αποτρέπεται η ανάμιξη των οσμών.

Ως αποτέλεσμα αυτών, το ψυγείο σας με την τεχνολογία ψύξης νέας γενιάς, σας προσφέρει ευκολία στη χρήση και τεράστιο εσωτερικό χώρο αλλά και καλαίσθητη εμφάνιση.

3.2 Οθόνη και πίνακας ελέγχου



Χρήση του πίνακα ελέγχου

1. Κουμπί μενού για ενεργοποίηση λειτουργίας οικονομίας
2. Επιτρέπει την αλλαγή της τιμής θερμοκρασίας στον θάλαμο ψυγείου και επιτρέπει την ενεργοποίηση της

λειτουργίας ταχείας ψύξης. Η τιμή θερμοκρασίας για τον θάλαμο ψυγείου μπορεί να ρυθμιστεί σε 8, 6, 5, 4, 2 °C ή SC.

3. Επιτρέπει την αλλαγή της τιμής θερμοκρασίας στον θάλαμο καταψύκτη και επιτρέπει την ενεργοποίηση της λειτουργίας ταχείας κατάψυξης. Η τιμή θερμοκρασίας για τον θάλαμο καταψύκτη μπορεί να ρυθμιστεί σε -16, -18, -20, -22, -24 °C ή SF.
4. Κουμπί Επιλογής τρόπου λειτουργίας / Επιβεβαίωσης
5. Ένδειξη ρύθμισης θερμοκρασία για τον θάλαμο ψυγείου
6. Ένδειξη Ταχείας ψύξης
7. Ένδειξη ρύθμισης θερμοκρασίας για τον θάλαμο καταψύκτη
8. Ένδειξη Ταχείας κατάψυξης
9. Σύμβολο λειτουργίας Διακοπών
10. Σύμβολο λειτουργίας Οικονομίας
11. Σύμβολο Κλειδώματος προστασίας
12. Σύμβολο Ειδοποίησης / Κλήσης σέρβις

3.3 Χρήση του Ψυγειοκαταψύκτη σας

Φωτισμός (αν διατίθεται)

Όταν το προϊόν συνδεθεί για πρώτη φορά στο ρεύμα, τα εσωτερικά φώτα μπορεί να ενεργοποιηθούν 1 λεπτό αργότερα λόγω ελέγχων έναρξης λειτουργίας.

Αφού συνδέσετε τη συσκευή στο ρεύμα, θα εμφανιστούν όλα τα σύμβολα για 2 δευτερόλεπτα και κατόπιν θα εμφανιστούν οι αρχικές τιμές λειτουργίας, -18 °C στην ένδειξη ρύθμισης καταψύκτη και +4 °C στην ένδειξη ρύθμισης ψυγείου.

Όλα τα κουμπιά στον πίνακα ελέγχου είναι αφής (πατήστε τα μόνο για να ενεργοποιήσετε το κουμπί που θέλετε να χρησιμοποιήσετε).


3.3.1 Λειτουργία Ταχείας Κατάψυξης


Πώς χρησιμοποιείται;

- Πατήστε το κουμπί ρύθμισης θερμοκρασίας καταψύκτη, κατόπιν το κουμπί «OK» έως ότου εμφανιστούν τα γράμματα SF στην οθόνη ενδείξεων του θαλάμου καταψύκτη. Θα ακούσετε ένα ηχητικό σήμα και θα ενεργοποιηθεί η αντίστοιχη λειτουργία. Αν δεν πατήσετε το κουμπί "OK" μέσα σε 9 δευτερόλεπτα από την εμφάνιση των γραμμάτων SF, θα ενεργοποιηθεί η θερμοκρασία καταψύκτη που είχε επιλεγεί προηγουμένως.
- Όταν επιλεγεί η λειτουργία, θα εμφανίζονται τα γράμματα SF στην ένδειξη θερμοκρασίας καταψύκτη.


Σε αυτή τη λειτουργία:

- Οι τιμές θερμοκρασίας ψυγείου μπορούν να τροποποιηθούν, η λειτουργία ταχείας ψύξης μπορεί να επιλεγεί.
- Δεν μπορείτε να επιλέξετε τις λειτουργίες Οικονομίας και Διακοπών.
- Μπορείτε να απενεργοποιήσετε τη λειτουργία Ταχείας κατάψυξης πατώντας το κουμπί ρύθμισης θερμοκρασίας καταψύκτη. Αφού πατήσετε αυτό το κουμπί, θα αρχίσει να αναβοσβήνει το εικονίδιο SF. Ενώ αναβοσβήνει το εικονίδιο SF, πατήστε το κουμπί «-» και επιλέξτε την απαιτούμενη τιμή για τον καταψύκτη. Αφού επιλέξετε την τιμή για τον καταψύκτη, πατήστε το κουμπί «OK» πάλι για να απενεργοποιήσετε τη λειτουργία SF.

 Η μέγιστη ποσότητα νωπών τροφίμων (σε κιλά) που μπορεί να καταψυχθεί σε 24 ώρες αναφέρεται στην πινακίδα της συσκευής.

 Για βέλτιστη απόδοση της συσκευής με μέγιστο φορτίο καταψύκτη, ρυθμίστε τη συσκευή σε λειτουργία SF 3 ώρες πριν τοποθετήσετε τα νωπά τρόφιμα μέσα στον καταψύκτη.

Η λειτουργία

 Ταχείας κατάψυξης θα ακυρωθεί αυτόματα μετά από 24 ώρες, ανάλογα με τη θερμοκρασία περιβάλλοντος ή το πότε ο αισθητήρας καταψύκτη επιτύχει μια αρκετά χαμηλή θερμοκρασία.


3.3.2 Λειτουργία Ταχείας Ψύξης

Πώς χρησιμοποιείται;

- Πατήστε το κουμπί ρύθμισης θερμοκρασίας ψυγείου, κατόπιν το κουμπί «OK» έως ότου εμφανιστούν τα γράμματα SC στην οθόνη ενδείξεων του θαλάμου ψυγείου. Θα ακούσετε ένα ηχητικό σήμα και θα ενεργοποιηθεί η αντίστοιχη λειτουργία. Αν δεν πατήσετε το κουμπί "OK" μέσα σε 9 δευτερόλεπτα από την εμφάνιση των γραμμάτων SC, θα ενεργοποιηθεί η θερμοκρασία ψυγείου που είχε επιλεγεί προηγουμένως.
- Όταν έχει επιλεγεί η λειτουργία, θα εμφανίζεται «SC» στην ένδειξη θερμοκρασίας ψυγείου.

Σε αυτή τη λειτουργία:

- Οι τιμές θερμοκρασίας καταψύκτη μπορούν να τροποποιηθούν, η λειτουργία ταχείας κατάψυξης μπορεί να επιλεγεί.
- Δεν μπορείτε να επιλέξετε τις λειτουργίες Οικονομίας και Διακοπών.
- Μπορείτε να απενεργοποιήσετε τη λειτουργία Ταχείας ψύξης πατώντας το κουμπί ρύθμισης θερμοκρασίας ψυγείου. Αφού πατήσετε αυτό το κουμπί, θα αρχίσει να αναβοσβήνει το εικονίδιο SC. Ενώ αναβοσβήνει το εικονίδιο SC, πατήστε το κουμπί «+» και επιλέξτε την απαιτούμενη τιμή για το ψυγείο. Αφού επιλέξετε την τιμή, πατήστε το κουμπί «OK» πάλι για να απενεργοποιήσετε τη λειτουργία SC.

 Η λειτουργία ταχείας κατάψυξης θα ακυρωθεί αυτόματα μετά από 4 ή 6 ώρες ανάλογα με τη θερμοκρασία περιβάλλοντος ή όταν ο καταψύκτης φθάσει σε αρκετά χαμηλή θερμοκρασία.

3.3.3 Λειτουργία Οικονομίας

Πώς χρησιμοποιείται;

- Πατήστε το κουμπί Μενού έως ότου εμφανιστεί ένας κύκλος γύρω από το σύμβολο οικονομίας και κατόπιν πατήστε το κουμπί OK μέσα σε 9 δευτερόλεπτα. Ο βομβητής θα ηχήσει δύο φορές για να επιβεβαιώσει ότι η λειτουργία είναι ενεργή.
- Ακυρώστε τη λειτουργία οικονομίας πριν επιλέξετε λειτουργία διακοπών. Κατόπιν, χρησιμοποιήστε το κουμπί Μενού για να επιλέξετε τη λειτουργία διακοπών.
- Αν δεν πατήσετε κανένα κουμπί μέσα σε 1 δευτερόλεπτο από το πάτημα του κουμπιού Μενού, η λειτουργία θα ακυρωθεί.

Σε αυτή τη λειτουργία:

- Η θερμοκρασία θαλάμου καταψύκτη μπορεί να τροποποιηθεί. Μετά την ακύρωση της λειτουργίας οικονομίας, θα είναι ενεργή η επιλεγμένη θερμοκρασία καταψύκτη.
- Η θερμοκρασία θαλάμου ψυγείου μπορεί να τροποποιηθεί. Μετά την ακύρωση της λειτουργίας οικονομίας, θα είναι ενεργή η επιλεγμένη θερμοκρασία ψυγείου.
- Μπορούν να επιλεγούν οι λειτουργίες ταχείας ψύξης και ταχείας κατάψυξης. Σε αυτή την περίπτωση, η λειτουργία οικονομίας θα ακυρωθεί αυτόματα και θα ενεργοποιηθεί ο επιλεγμένος τρόπος λειτουργίας.
- Χρησιμοποιήστε το κουμπί Μενού για να επιλέξετε τη λειτουργία διακοπών μετά την ακύρωση της λειτουργίας οικονομίας.
- Πατήστε το κουμπί Μενού μέχρι να πάψουν να εμφανίζονται και οι δύο κύκλοι για να ακυρώσετε τη λειτουργία, και κατόπιν πατήστε το κουμπί OK.

3.3.4 Λειτουργία Διακοπών


Πώς χρησιμοποιείται;

- Πατήστε το κουμπί Μενού έως ότου εμφανιστεί ένας κύκλος γύρω από το σύμβολο λειτουργίας διακοπών και κατόπιν πατήστε το κουμπί OK μέσα σε 9 δευτερόλεπτα. Ο βομβητής θα ηχήσει δύο φορές για να επιβεβαιώσει ότι η λειτουργία είναι ενεργή.
- Ακυρώστε τη λειτουργία διακοπών πριν επιλέξετε λειτουργία οικονομίας. Κατόπιν, χρησιμοποιήστε το κουμπί Μενού για να επιλέξετε τη λειτουργία οικονομίας.
- Αν δεν πατήσετε κανένα κουμπί μέσα σε 1 δευτερόλεπτο από το πάτημα του κουμπιού Μενού, η λειτουργία διακοπών θα ακυρωθεί.

Σε αυτή τη λειτουργία:

- Η θερμοκρασία θαλάμου καταψύκτη μπορεί να τροποποιηθεί. Μετά την ακύρωση της λειτουργίας διακοπών, θα είναι ενεργή η επιλεγμένη θερμοκρασία καταψύκτη.
- Η θερμοκρασία θαλάμου ψυγείου μπορεί να τροποποιηθεί. Μετά την ακύρωση της λειτουργίας διακοπών, θα είναι ενεργή η επιλεγμένη θερμοκρασία ψυγείου.
- Μπορούν να επιλεγούν οι λειτουργίες ταχείας ψύξης και ταχείας κατάψυξης. Σε αυτή την περίπτωση, η λειτουργία διακοπών θα ακυρωθεί αυτόματα και θα ενεργοποιηθεί η επιλεγμένη λειτουργία.
- Ακυρώστε τη λειτουργία διακοπών πριν επιλέξετε λειτουργία οικονομίας. Κατόπιν, χρησιμοποιήστε το κουμπί Μενού για να επιλέξετε τη λειτουργία οικονομίας.
- Πατήστε το κουμπί Μενού μέχρι να πάψουν να εμφανίζονται και οι δύο κύκλοι, και κατόπιν πατήστε το κουμπί «OK» για να ακυρώσετε τη λειτουργία.

3.3.5 Λειτουργία Ψύξης ποτών

- Πατήστε το κουμπί ρύθμισης θερμοκρασίας καταψύκτη για 3 δευτερόλεπτα.
 - Η ένδειξη θερμοκρασίας για τον θάλαμο καταψύκτη θα εμφανίζει «dc» και η ένδειξη θερμοκρασίας για την ένδειξη ψυγείου θα αναβοσβήνει με την τιμή «05».
 - Πατήστε το κουμπί ρύθμισης θερμοκρασίας ψυγείου για να ρυθμίσετε το χρόνο.
 - Οι χρόνοι που μπορούν να επιλεγούν είναι 05, 10, 15, 20, 25, και 30 λεπτά.
 - Όταν επιλέξετε τον επιθυμητό χρόνο, η τιμή του θα αναβοσβήσει 3 φορές στην οθόνη και θα παραχθεί ήχος μπιπ.
 - Αν δεν πατηθεί κανένα άλλο κουμπί για 2 δευτερόλεπτα, ο τρόπος λειτουργίας θα επιλεγεί.
 - Η επιλεγμένη τιμή χρόνου θα μειώνεται σε βήματα του ενός λεπτού και ο υπολειπόμενος χρόνος θα αναβοσβήνει στην οθόνη.
 - Για να ακυρώσετε τη λειτουργία ψύξης ποτών, πιέστε πάλι για 3 δευτερόλεπτα το κουμπί ρύθμισης θερμοκρασίας.
-  Πρέπει να ρυθμίσετε το χρόνο σύμφωνα με τη θερμοκρασία που είχαν τα μπουκάλια πριν τα τοποθετήσετε.
- Για παράδειγμα, μπορείτε αρχικά να ρυθμίσετε το χρόνο σε "5 λεπτά". Αν μετά από αυτό το διάστημα το αποτέλεσμα ψύξης δεν είναι ικανοποιητικό, μπορείτε να τον ρυθμίσετε επιπλέον για 5 ή 10 λεπτά.
 - Όταν χρησιμοποιείτε αυτή τη λειτουργία, πρέπει να ελέγχετε τακτικά τη θερμοκρασία των μπουκαλιών. Όταν τα μπουκάλια έχουν κρυώσει αρκετά, πρέπει να τα αφαιρέσετε από τη συσκευή.
 - Αν τα μπουκάλια παραμείνουν πάρα πολύ μέσα στη συσκευή με επιλεγμένη τη θερμοκρασία quick drink, τα μπουκάλια θα εκραγούν.

3.3.6 Λειτουργία Προφύλαξης Οθόνης

Πώς χρησιμοποιείται;

- Πατήστε το κουμπί Μενού 3 φορές για να ενεργοποιήσετε τη λειτουργία προφύλαξης οθόνης.
- Για να ακυρώσετε τη λειτουργία προφύλαξης οθόνης, πατήστε οποιοδήποτε κουμπί, και κατόπιν πατήστε το κουμπί Μενού για 3 δευτερόλεπτα.
- Για να απενεργοποιήσετε τα φώτα του ψυγείου, πατήστε το κουμπί ρύθμισης καταψύκτη, το κουμπί ρύθμισης ψυγείου και το κουμπί Μενού ταυτόχρονα. Κατόπιν ανοίξτε και κλείστε την πόρτα του ψυγείου 3 φορές. Από τη στιγμή αυτή, οι λυχνίες του ψυγείου δεν θα ανάβουν, εκτός αν ακυρώσετε αυτή τη λειτουργία χρησιμοποιώντας την ίδια μέθοδο που περιγράφηκε παραπάνω.

3.3.7 Η λειτουργία Κλειδωμα προστασίας

Σκοπός

Το Κλειδωμα προστασίας είναι διαθέσιμο στη συσκευή για την αποτροπή ανεπιθύμητων ή αθέλητων αλλαγών στις ρυθμίσεις της συσκευής.

Ενεργοποίηση του Κλειδώματος προστασίας

Πατήστε ταυτόχρονα για 5 δευτερόλεπτα τα κουμπιά ρύθμισης θερμοκρασίας Ψυγείου και Καταψύκτη.

Απενεργοποίηση του Κλειδώματος προστασίας

Πατήστε ταυτόχρονα για 5 δευτερόλεπτα τα κουμπιά ρύθμισης θερμοκρασίας Ψυγείου και Καταψύκτη.



Το κλειδωμα προστασίας θα απενεργοποιηθεί σε περίπτωση διακοπής ρεύματος ή αποσύνδεσης της συσκευής από την πρίζα.

3.4 Ρυθμίσεις Θερμοκρασίας

3.4.1 Ρυθμίσεις Θερμοκρασίας Καταψύκτη

- Κάθε φορά που πατάτε το κουμπί ρύθμισης του θαλάμου καταψύκτη, θα ρυθμίζεται μια χαμηλότερη θερμοκρασία (-16 °C, -18 °C, -20 °C, -22 °C, -24 °C ή SF). Αν συνεχίσετε να πατάτε το κουμπί, οι τιμές θα ξεκινήσουν πάλι από -16 °C.
- Για να καθορίσετε τη ρυθμισμένη θερμοκρασία, πατήστε το κουμπί «OK» μέσα σε 9 δευτερόλεπτα από τη στιγμή που φθάσατε την επιθυμητή θερμοκρασία.
- Αν πατήσετε το κουμπί ρύθμισης θαλάμου καταψύκτη έως ότου εμφανιστεί το σύμβολο ταχείας κατάψυξης, και κατόπιν το κουμπί "OK" μέσα σε 9 δευτερόλεπτα, θα αναβοσβήνει στην οθόνη ένδειξης η ένδειξη «SF» (Ταχεία κατάψυξη).

3.4.2 Ρυθμίσεις θερμοκρασίας Ψυγείου

- Κάθε φορά που πατάτε το κουμπί ρύθμισης του θαλάμου ψυγείου, θα ρυθμίζεται μια χαμηλότερη θερμοκρασία (+8 °C, +6 °C, +5 °C, +4 °C, +2 °C ή SC). Αν συνεχίσετε να πατάτε το κουμπί, οι τιμές θα ξεκινήσουν πάλι από +8 °C.
- Για να καθορίσετε τη ρυθμισμένη θερμοκρασία, πατήστε το κουμπί «OK» μέσα σε 9 δευτερόλεπτα από τη στιγμή που φθάσατε την επιθυμητή θερμοκρασία.
- Αν πατήσετε το κουμπί ρύθμισης θαλάμου ψυγείου έως ότου εμφανιστεί το σύμβολο ταχείας ψύξης, πατήστε το κουμπί "OK" μέσα σε 9 δευτερόλεπτα, θα αναβοσβήσει στην οθόνη η ένδειξη «SC» (Super Cooling, ταχεία ψύξη).

Συνιστώμενες ρυθμίσεις για τη θερμοκρασία θαλάμου Καταψύκτη και Ψυγείου

Θάλαμος Καταψύκτη	Θάλαμος Ψυγείου	Παρατηρήσεις
-18 °C	4 °C	Για κανονική χρήση και την καλύτερη απόδοση.
-20 °C, -22 °C ή -24 °C	4 °C	Συνιστάται όταν η θερμοκρασία περιβάλλοντος υπερβαίνει τους 30 °C.
SF	4 °C	Πρέπει να χρησιμοποιείται όταν θέλετε να καταψύξετε τρόφιμα σε σύντομο χρονικό διάστημα.
-18 °C, -20 °C, -22 °C ή -24 °C	2 °C	Αυτές οι ρυθμίσεις θερμοκρασίας πρέπει να χρησιμοποιούνται όταν η θερμοκρασία περιβάλλοντος είναι υψηλή ή αν θεωρείτε ότι ο θάλαμος ψυγείου δεν έχει αρκετά χαμηλή θερμοκρασία επειδή ανοίγει συχνά η πόρτα.
-18 °C, -20 °C, -22 °C ή -24 °C	SC	Πρέπει να χρησιμοποιείται όταν ο θάλαμος ψυγείου είναι υπερφορτωμένος με τρόφιμα ή όταν υπάρχουν τρόφιμα που πρέπει να ψυχθούν άμεσα.

3.4.3 Λειτουργία Ειδοποίησης Ανοικτής Πόρτας

Αν η πόρτα του ψυγείου παραμείνει ανοικτή για περισσότερο από 2 λεπτά, η συσκευή σας εκπέμπει ήχο "μπιπ-μπιπ".

3.5 Προειδοποιήσεις ρυθμίσεων θερμοκρασίας

- Η συσκευή σας έχει σχεδιαστεί να λειτουργεί στις περιοχές θερμοκρασιών περιβάλλοντος που αναφέρονται στα πρότυπα, σύμφωνα με την κατηγορία κλίματος που αναφέρεται στην πληροφοριακή ετικέτα. Δεν συνιστάται να χρησιμοποιείτε το ψυγείο σας σε περιβάλλοντα που δεν εμπίπτουν στις αναφερόμενες περιοχές θερμοκρασιών. Αυτό θα μειώσει την ψυκτική απόδοση της συσκευής.
- Οι ρυθμίσεις θερμοκρασίας θα πρέπει να γίνονται σύμφωνα με τη συχνότητα που ανοίγουν οι πόρτες, την ποσότητα τροφίμων που διατηρείτε στη συσκευή και τη θερμοκρασία περιβάλλοντος στη θέση της συσκευής σας.
- Όταν ενεργοποιηθεί πρώτη φορά η συσκευή, αφήστε τη να λειτουργήσει 24 ώρες για την επίτευξη της θερμοκρασίας λειτουργίας. Στη διάρκεια αυτής της περιόδου, μην ανοίξετε την πόρτα και μη φυλάσσετε μεγάλη ποσότητα τροφίμων μέσα στη συσκευή.
- Έχει εφαρμοστεί μια λειτουργία καθυστέρησης 5 λεπτών για την αποτροπή ζημιάς στον συμπιεστή της συσκευής σας κατά τη σύνδεση ή την αποσύνδεση από το δίκτυο ρεύματος, ή αν υπάρξει διακοπή ρεύματος. Η συσκευή σας θα συνεχίσει να λειτουργεί κανονικά μετά από 5 λεπτά.

Κατηγορία κλίματος και σημασία:

T (τροπικό): Αυτή η ψυκτική συσκευή προορίζεται για χρήση σε θερμοκρασίες περιβάλλοντος στην περιοχή από 16 °C έως 43 °C.

ST (υποτροπικό): Αυτή η ψυκτική συσκευή προορίζεται για χρήση σε θερμοκρασίες περιβάλλοντος από 16 °C έως 38 °C.

N (εύκρατο): Αυτή η ψυκτική συσκευή προορίζεται για χρήση σε θερμοκρασίες περιβάλλοντος από 16 °C έως 32 °C.

SN (διευρυμένο εύκρατο): Αυτή η ψυκτική συσκευή προορίζεται για χρήση σε θερμοκρασίες περιβάλλοντος από 10 °C έως 32 °C.

Σημαντικές οδηγίες εγκατάστασης

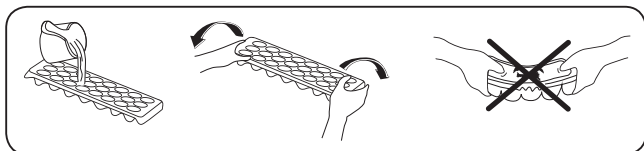
Αυτή η συσκευή έχει σχεδιαστεί να λειτουργεί σε δύσκολες κλιματικές συνθήκες και διαθέτει τη λειτουργία 'Freezer Shield' η οποία διασφαλίζει ότι τα κατεψυγμένα τρόφιμα στον καταψύκτη δεν θα ξεπαγώσουν ακόμα και αν η θερμοκρασία περιβάλλοντος πέσει ακόμα και ως τους -15 °C. Επομένως μπορείτε να εγκαταστήσετε τη συσκευή σας σε ένα μη θερμαινόμενο χώρο, χωρίς να χρειάζεται να ανησυχείτε μήπως αλλοιωθούν τα κατεψυγμένα τρόφιμα μέσα στον καταψύκτη. Όταν η θερμοκρασία περιβάλλοντος επανέλθει στην κανονική, μπορείτε να συνεχίσετε να χρησιμοποιείτε τη συσκευή σας ως συνήθως.

3.6 Αξεσουάρ

Οι περιγραφές με εικόνες και κείμενο στο τμήμα των αξεσουάρ μπορεί να διαφέρει ανάλογα με το μοντέλο της συσκευής σας.

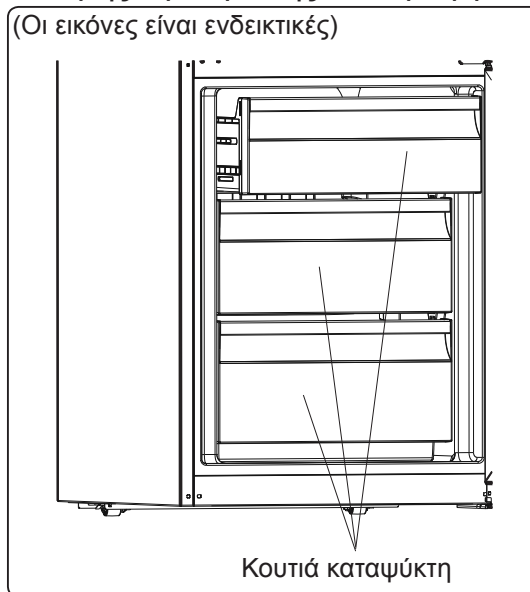
3.6.1 Παγοθήκη (Σε ορισμένα μοντέλα)

- Γεμίστε την παγοθήκη με νερό και τοποθετήστε τη στο θάλαμο καταψύκτη.
- Αφού το νερό παγώσει τελείως, μπορείτε να συστρέψετε την παγοθήκη, όπως φαίνεται πιο κάτω, για να πάρετε τους παγοκύβους.

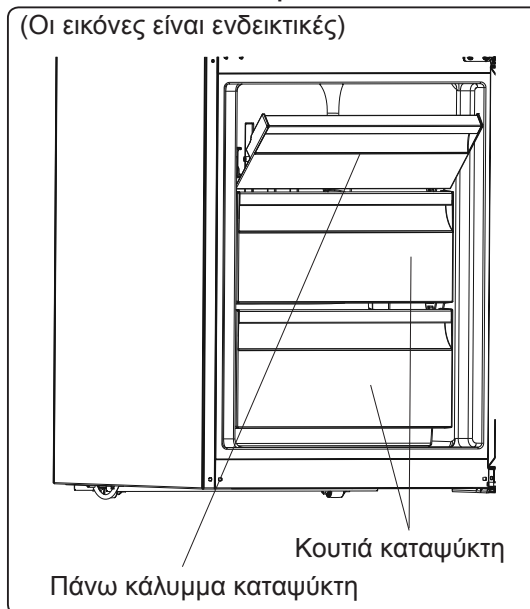


3.6.2 Κουτί καταψύκτη

Το κουτί καταψύκτη σας δίνει τη δυνατότητα ευκολότερης πρόσβασης στα τρόφιμα.





ή



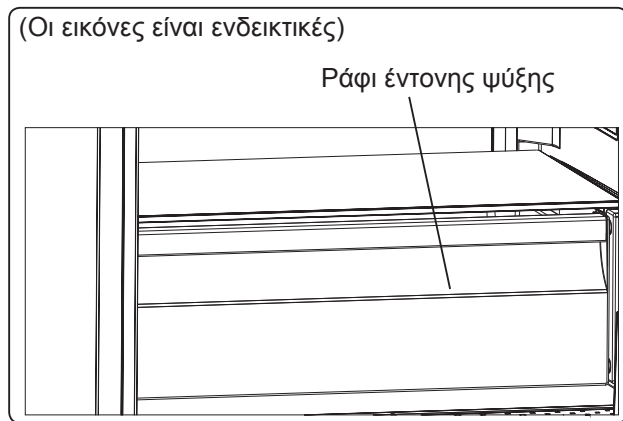
Αφαίρεση του κουτιού καταψύκτη:

- Τραβήξτε το κουτί όσο το δυνατόν πιο έξω.
- Τραβήξτε το μπροστινό μέρος του κουτιού προς τα πάνω και έξω

 Αντιστρέψτε αυτή τη διαδικασία για την επανατοποθέτηση του συρόμενου διαμερίσματος.

 Πάντα να κρατάτε τη λαβή του κουτιού όταν το αφαιρείτε.

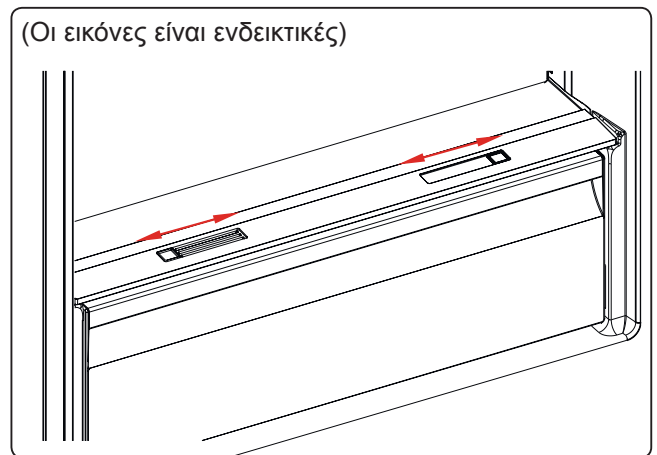
3.6.3 Συρτάρι έντονης ψύξης (Σε ορισμένα μοντέλα)



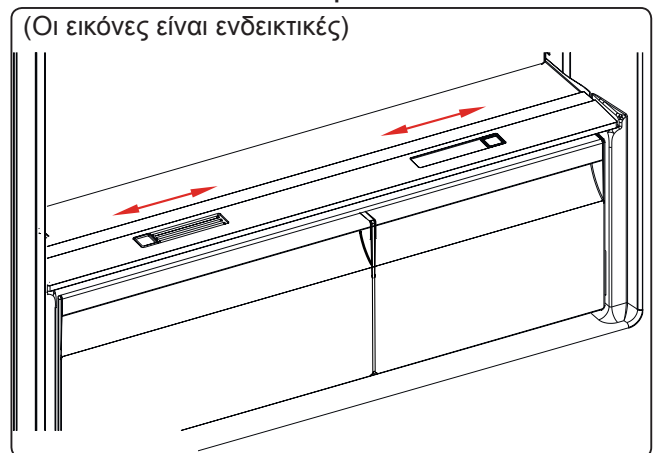
Τα τρόφιμα που διατηρούνται στο διαμέρισμα έντονης ψύξης, αντί του θαλάμου καταψύκτη ή ψυγείου του ψυγείου σας, διατηρούν τη φρεσκάδα και το άρωμά τους περισσότερο χρόνο, ενώ διατηρούν και τη φρέσκια τους εμφάνιση. Όταν ο δίσκος έντονης ψύξης χρειαστεί καθαρίσματος, αφαιρέστε τον και πλύνετε τον με νερό. (Το νερό παγώνει στους 0 °C, αλλά τα τρόφιμα που περιέχουν αλάτι ή ζάχαρη παγώνουν σε χαμηλότερη θερμοκρασία). Το διαμέρισμα Έντονης ψύξης συνήθως χρησιμοποιείται για φύλαξη τροφίμων όπως νωπά ψάρια, ελαφρά μαριναρισμένα τρόφιμα, ρύζι κλπ.

⚠ Μην τοποθετείτε στο διαμέρισμα Έντονης ψύξης τρόφιμα που θέλετε να καταψύξετε ή παγοθήκες (για παγάκια).

3.6.4 Ρυθμιστής Φρεσκάδας (Σε ορισμένα μοντέλα)



ή



Αν το συρτάρι λαχανικών είναι γεμάτο, θα πρέπει να ανοιχτεί ο ρυθμιστής φρεσκάδας που βρίσκεται στο μπροστινό μέρος του συρταριού λαχανικών. Με αυτόν τον τρόπο ρυθμίζεται ο αέρας μέσα στο συρτάρι λαχανικών και το ποσοστό υγρασίας, για αύξηση της διάρκειας ζωής των τροφίμων που υπάρχουν εκεί.

Ο περιστροφικός ρυθμιστής, που βρίσκεται πίσω από το ράφι, πρέπει να ανοιχτεί αν παρατηρηθεί συμπύκνωση πάνω στο γυάλινο ράφι.

3.6.5 Ρυθμιζόμενο ράφι πόρτας (Σε ορισμένα μοντέλα)

Με το ρυθμιζόμενο ράφι πόρτας μπορούν να γίνουν έξι διαφορετικές ρυθμίσεις ύψους ώστε να έχετε τους χώρους αποθήκευσης που χρειάζεστε.

Για να αλλάξετε τη θέση του ρυθμιζόμενου ραφιού πόρτας:

Πιάστε το κάτω μέρος του ραφιού και

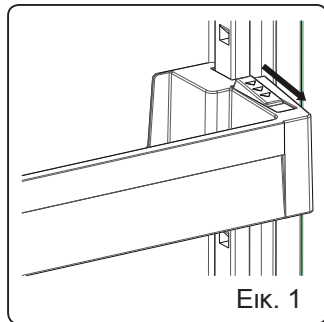
τραβήξτε τα κουμπιά στο πλάι του ραφιού πόρτας στην κατεύθυνση του βέλους. (Εικ. 1)

Τοποθετήστε το ράφι της πόρτας στο ύψος που χρειάζεστε μετακινώντας το πάνω και κάτω.

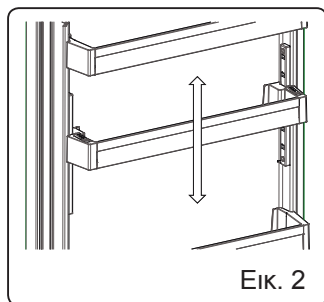
Αφού βρείτε τη θέση όπου θέλετε το ράφι πόρτας, αφήστε ελεύθερα τα κουμπιά στο πλάι του ραφιού πόρτας (Εικ. 2) Πριν

ελευθερώσετε το ράφι της πόρτας, μετακινήστε το πάνω και κάτω και βεβαιωθείτε ότι έχει στερεωθεί καλά.

Σημείωση: Πριν μετακινήσετε το φορτωμένο ράφι της πόρτας, θα πρέπει να κρατάτε το ράφι στηρίζοντας το κάτω μέρος. Σε αντίθετη περίπτωση, το ράφι πόρτας μπορεί να πέσει από τις ράγες λόγω του βάρους. Έτσι, μπορεί να προκληθεί ζημιά στο ράφι της πόρτας ή στις ράγες.



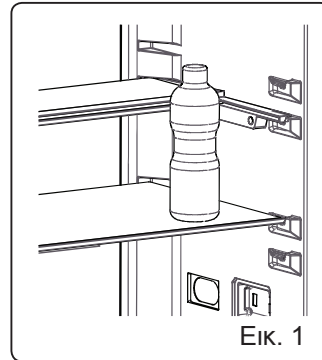
Εικ. 1



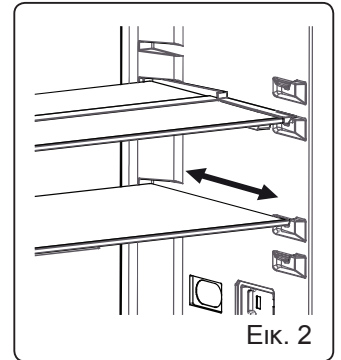
Εικ. 2

3.6.6 Ρυθμιζόμενο γυάλινο ράφι(Σε ορισμένα μοντέλα)

Ο μηχανισμός του ρυθμιζόμενου γυάλινου ραφιού παρέχει υψηλότερους χώρους φύλαξης με μία απλή κίνηση. Για να κρύψετε το γυάλινο ράφι, απλά σπρώξτε το.



Εικ. 1



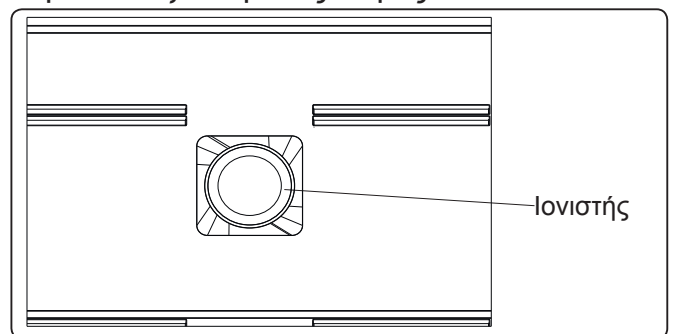
Εικ. 2

Μπορείτε να τοποθετήσετε τα τρόφιμά σας στον πρόσθετο χώρο που προκύπτει. Για να φέρετε το ράφι στην αρχική του θέση, τραβήξτε το προς το μέρος σας.

3.6.7 Natural Ion Tech (Σε ορισμένα μοντέλα)

Το Natural Ion Tech εκπέμπει αρνητικά ιόντα τα οποία εξουδετερώνουν τα σωματίδια δυσάρεστων οσμών και σκόνης στον αέρα.

Με την απομάκρυνση αυτών των σωματιδίων από τον αέρα του ψυγείου, το Natural Ion Tech βελτιώνει την ποιότητα του αέρα και εξαλείφει τις οσμές.

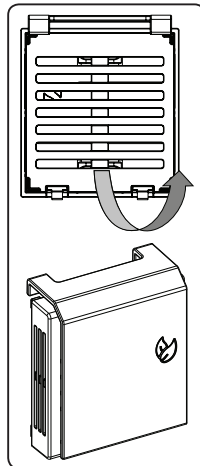


- Αυτό το χαρακτηριστικό είναι προαιρετικό. Ενδέχεται να μην υφίσταται στο προϊόν σας.
- Το σημείο στο οποίο βρίσκεται ο ιονιστής ποικίλει ανάλογα με το προϊόν.

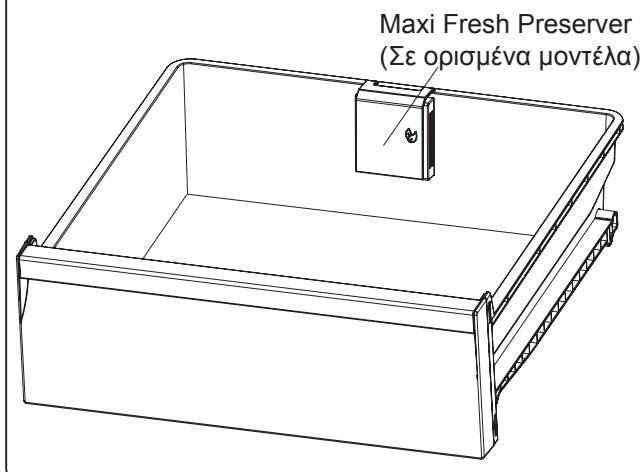
3.6.8 Maxi Fresh Preserver (Αν διατίθεται)

Η τεχνολογία Maxi Fresh Preserver συμβάλλει στην απομάκρυνση από το συρτάρι λαχανικών του αερίου αιθυλενίου (μιας πτητικής οργανικής ένωσης που εκλύεται φυσικά από τα φρέσκα τρόφιμα) καθώς και των δυσάρεστων οσμών. Με αυτόν τον τρόπο τα τρόφιμα παραμένουν φρέσκα περισσότερο καιρό.

- Η συσκευή Maxi Fresh Preserver πρέπει να καθαρίζεται μία φορά τον χρόνο. Το φίλτρο πρέπει να παραμείνει σε φούρνο για 2 ώρες στους 65 °C.
- Όταν θέλετε να καθαρίσετε το φίλτρο, αφαιρέστε το πίσω κάλυμμα της θήκης του φίλτρου τραβώντας το προς την κατεύθυνση του βέλους.
- Το φίλτρο δεν πρέπει να πλένεται με νερό ή οποιοδήποτε απορρυπαντικό.



(Οι εικόνες είναι ενδεικτικές)



Οι περιγραφές με εικόνες και κείμενο στο τμήμα των αξεσουάρ μπορεί να διαφέρει ανάλογα με το μοντέλο της συσκευής σας.

4 ΦΥΛΑΞΗ ΤΡΟΦΙΜΩΝ

4.1 Θάλαμος Ψυγείου

Για κανονικές συνθήκες λειτουργίας, ρυθμίστε τη θερμοκρασία του θαλάμου ψυγείου σε +4 ή +6 °C.

- Για μείωση της υγρασίας και κατά συνέπεια την αποφυγή της δημιουργίας πάχνης, να αποθηκεύετε πάντα τα υγρά σε σφραγισμένα δοχεία στο ψυγείο. Η πάχνη τείνει να συσσωρεύεται στα πιο κρύα σημεία όπου εξατμίζεται το ψυκτικό υγρό, και με την πάροδο του χρόνου η συσκευή σας θα χρειάζεται πιο συχνή απόψυξη.
- Τα μαγειρεμένα φαγητά πρέπει να διατηρούνται πάντα καλυμμένα μέσα στο ψυγείο. Μην τοποθετείτε ζεστά φαγητά στο ψυγείο, περιμένετε πρώτα να κρυώσουν, διαφορετικά η θερμοκρασία/υγρασία μέσα στο ψυγείο θα αυξηθεί, και θα μειωθεί η απόδοση του ψυγείου.
- Βεβαιωθείτε ότι δεν υπάρχουν είδη σε άμεση επαφή με το πίσω τοίχωμα της συσκευής, επειδή θα αναπτυχθεί πάχνη και η συσκευασία θα κολλήσει στο σημείο αυτό. Μην ανοίγετε συχνά την πόρτα του ψυγείου.
- Συνιστούμε να τυλίγετε το κρέας και τα ψάρια, αλλά σφιχτά, και να τα αποθηκεύετε στο γυάλινο ράφι ακριβώς πάνω από τον κάδο λαχανικών, επειδή εκεί ο αέρας είναι πιο κρύος και επικρατούν οι καλύτερες συνθήκες για τη φύλαξή τους.
- Αποθηκεύετε τα μη συσκευασμένα φρούτα και λαχανικά μέσα στα συρτάρια λαχανικών.
- Η ξεχωριστή αποθήκευση φρούτων και λαχανικών βοηθά ώστε να μην επηρεάζονται τα λαχανικά που είναι ευαίσθητα στο αιθυλένιο (μαρούλια, μπρόκολα, καρότα κλπ.) από φρούτα που εκλύουν αιθυλένιο (μπανάνες, ροδάκινα, βερίκοκα, σύκα κλπ.).
- Μην τοποθετείτε υγρά λαχανικά μέσα στο ψυγείο.

- Οι χρόνοι φύλαξης για όλα τα τρόφιμα εξαρτώνται από την αρχική ποιότητα των τροφίμων και από την αδιάλειπτη ψυκτική αλυσίδα πριν τη φύλαξη στο ψυγείο.
- Υγρά από το κρέας μπορεί να μολύνουν άλλα προϊόντα μέσα στο ψυγείο. Θα πρέπει να συσκευάζετε τα προϊόντα κρέατος και να καθαρίζετε τυχόν υγρά που έχουν λερώσει τα ράφια.
- Μην τοποθετείτε τρόφιμα μπροστά από τη δίοδο ροής αέρα.
- Καταναλώνετε τα συσκευασμένα τρόφιμα πριν την προτεινόμενη τελευταία ημερομηνία κατανάλωσης.

Μην επιτρέπετε να έρχονται τρόφιμα σε επαφή με τον αισθητήρα θερμοκρασίας που βρίσκεται στον θάλαμο ψυγείου, για να μπορεί ο θάλαμος ψυγείου να διατηρείται στη βέλτιστη θερμοκρασία.

- Για κανονικές συνθήκες λειτουργίας, θα αρκεί να προσαρμόσετε τη ρύθμιση θερμοκρασίας του ψυγείου σας στους +4 °C.
- Η θερμοκρασία του θαλάμου ψυγείου θα πρέπει να βρίσκεται στην περιοχή 0-8 °C, αφού τα νωπά τρόφιμα κάτω από τους 0 °C παγώνουν και αλλοιώνονται, ενώ πάνω από τους 8 °C το βακτηριακό φορτίο αυξάνεται και τα τρόφιμα χαλάνε.
- Μην τοποθετείτε ζεστά τρόφιμα κατευθείαν στο ψυγείο, περιμένετε πρώτα να κρυώσουν σε θερμοκρασία δωματίου. Τα ζεστά τρόφιμα προκαλούν αύξηση της θερμοκρασίας του ψυγείου σας και αυτό μπορεί να προκαλέσει τροφικές δηλητηριάσεις αλλά και άσκοπη αλλοίωση των τροφίμων.
- Το κρέας, τα ψάρια και παρόμοια τρόφιμα πρέπει να αποθηκεύονται στο διαμέρισμα έντονης ψύξης, ενώ για τα λαχανικά πρέπει να προτιμάτε το διαμέρισμα λαχανικών (αν διατίθεται)
- Για να αποφύγετε τη μετάδοση μικροβίων μεταξύ των τροφίμων, δεν πρέπει να αποθηκεύετε προϊόντα κρέατος μαζί με φρούτα και λαχανικά.

- Τα τρόφιμα πρέπει να τοποθετούνται μέσα στο ψυγείο σε κλειστά δοχεία ή καλυμμένα, για να αποτραπεί η δημιουργία υγρασίας και οσμών.

Ο παρακάτω πίνακας είναι ένας γρήγορος οδηγός σχετικά με τον πιο αποτελεσματικό τρόπο φύλαξης για τις κύριες ομάδες τροφίμων στον θάλαμο ψυγείου.

Είδος τροφίμου	Μέγιστος χρόνος φύλαξης	Πώς και πού να αποθηκεύεται
Λαχανικά και φρούτα	1 εβδομάδα	Συρτάρι λαχανικών
Κρέας και ψάρι	2 - 3 ημέρες	Τυλίξτε το σε πλαστική μεμβράνη, σακούλα ή σε δοχείο φύλαξης κρέατος και τοποθετήστε το πάνω στο γυάλινο ράφι
Φρέσκο τυρί	3 - 4 ημέρες	Στο προβλεπόμενο ράφι πόρτας
Βούτυρο και μαργαρίνη	1 εβδομάδα	Στο προβλεπόμενο ράφι πόρτας
Εμφιαλωμένα προϊόντα, π.χ. γάλα και γιαούρτι	Ως την ημερομηνία λήξης που συνιστά ο παραγωγός	Στο προβλεπόμενο ράφι πόρτας
Αυγά	1 μήνας	Στην προβλεπόμενη αυγοθήκη
Μαγειρεμένο φαγητό	2 ημέρες	Σε όλα τα ράφια

ΣΗΜΕΙΩΣΗ:



Πατάτες, κρεμμύδια και σκόρδα δεν πρέπει να αποθηκεύονται στο ψυγείο.

4.2 Θάλαμος Καταψύκτη

Υπό κανονικές συνθήκες λειτουργίας, ρυθμίστε τη θερμοκρασία του θαλάμου καταψύκτη σε -18 ή -20 °C.

- Ο καταψύκτης χρησιμοποιείται για τη φύλαξη κατεψυγμένων τροφίμων, την κατάψυξη νωπών τροφίμων και την παρασκευή παγοκύβων.


- Τα τρόφιμα σε υγρή μορφή θα πρέπει να καταψύχονται σε πλαστικά κύπελλα και άλλα τρόφιμα μέσα σε πλαστικές μεμβράνες ή σακούλες. Για την κατάψυξη νωπών τροφίμων: τυλίγετε και σφραγίζετε τα τρόφιμα σωστά, δηλαδή η συσκευασία θα πρέπει να είναι αεροστεγής και να μην παρουσιάζει διαρροές. Οι ειδικές σακούλες για κατάψυξη, αλουμινόχαρτο, σακούλες πολυαιθυλενίου και πλαστικά δοχεία είναι ιδανικά για τον σκοπό αυτόν.
- Μη φυλάσσετε νωπά τρόφιμα δίπλα σε κατεψυγμένα τρόφιμα, γιατί μπορεί να αποψυχθούν τα ήδη κατεψυγμένα τρόφιμα.
- Πριν καταψύξετε νωπά τρόφιμα, μοιράστε τα σε μερίδες που μπορούν να καταναλωθούν κάθε φορά.
- Καταναλώνετε τα αποψυγμένα τρόφιμα σύντομα μετά την απόψυξή τους
- Τηρείτε πάντα τις οδηγίες του κατασκευαστή σχετικά με τις συσκευασίες των τροφίμων, όταν αποθηκεύετε κατεψυγμένα τρόφιμα. Αν δεν παρέχεται καμία πληροφορία, τα τρόφιμα δεν πρέπει να αποθηκεύονται για περισσότερο από 3 μήνες από την ημερομηνία αγοράς.
- Όταν αγοράζετε κατεψυγμένα τρόφιμα, βεβαιωθείτε ότι καταψύχθηκαν υπό κατάλληλες συνθήκες και ότι η συσκευασία τους δεν έχει καμία ζημιά.
- Τα κατεψυγμένα τρόφιμα πρέπει να μεταφέρονται σε κατάλληλα δοχεία και να τοποθετούνται στον καταψύκτη το συντομότερο δυνατόν.
- Μην αγοράζετε κατεψυγμένα τρόφιμα αν η συσκευασία δείχνει σημάδια υγρασίας και μη φυσιολογικής διόγκωσης. Υπάρχει μεγάλη πιθανότητα να έχουν αποθηκευτεί σε ακατάλληλη θερμοκρασία και τα περιεχόμενα έχουν αλλοιωθεί.
- Ο χρόνος διατήρησης των κατεψυγμένων τροφίμων εξαρτάται από τη θερμοκρασία περιβάλλοντος, από τη ρύθμιση του θερμοστάτη, από το πόσο συχνά ανοίγει η πόρτα, από τον τύπο των τροφίμων και από το χρονικό διάστημα που απαιτείται για τη μεταφορά του προϊόντος από το κατάστημα στο σπίτι σας. Να ακολουθείτε πάντα τις οδηγίες στη συσκευασία και ποτέ μην υπερβαίνετε τον αναφερόμενο μέγιστο χρόνο αποθήκευσης.
- Αν η πόρτα του καταψύκτη έχει παραμείνει ανοικτή για μεγάλο χρονικό διάστημα ή αν δεν είχε κλείσει καλά, θα σχηματιστεί πάχνη που μπορεί να εμποδίσει την αποτελεσματική κυκλοφορία του αέρα. Για να διορθώσετε αυτό το πρόβλημα αποσυνδέστε τον καταψύκτη από το ρεύμα και περιμένετε να αποψυχθεί. Καθαρίστε τον καταψύκτη αφού έχει αποψυχθεί πλήρως.
- Ο όγκος καταψύκτη που αναφέρεται στην ετικέτα του είναι ο όγκος χωρίς καλάθια, καλύμματα κλπ.
- Μην καταψύχετε πάλι τρόφιμα που έχουν αποψυχθεί. Μπορεί να δημιουργήσουν κινδύνους για την υγεία σας και να προκαλέσουν προβλήματα όπως τροφική δηλητηρίαση.

ΣΗΜΕΙΩΣΗ: Αν επιχειρήσετε να ανοίξετε την πόρτα του καταψύκτη αμέσως αφού την κλείσετε, θα διαπιστώσετε ότι δεν ανοίγει εύκολα. Αυτό είναι φυσιολογικό. Αφού εξισωθούν οι πιέσεις μέσα και έξω από τη συσκευή, η πόρτα θα ανοίξει εύκολα. Για να χρησιμοποιήσετε τη μέγιστη χωρητικότητα του θαλάμου καταψύκτη, χρησιμοποιήστε τα γυάλινα ράφια για το επάνω και το μεσαίο τμήμα, και το κάτω καλάθι για το κάτω τμήμα.



Ο παρακάτω πίνακας είναι ένας γρήγορος οδηγός σχετικά με τον πιο αποτελεσματικό τρόπο φύλαξης για τις κύριες ομάδες τροφίμων στον θάλαμο καταψύκτη.

Κρέας και ψάρι	Προετοιμασία	Μέγιστος χρόνος φύλαξης (μήνες)
Μπριζόλα	Τύλιγμα σε μεμβράνη	6 - 8
Αρνίσιο κρέας	Τύλιγμα σε μεμβράνη	6 - 8
Μοσχάρι για ψητό	Τύλιγμα σε μεμβράνη	6 - 8
Μοσχάρι σε κύβους	Σε μικρά τεμάχια	6 - 8
Αρνάκι σε κύβους	Σε τεμάχια	4 - 8
Κιμάς	Σε συσκευασία χωρίς χρήση μπαχαρικών	1 - 3
Εντόσθια πουλερικών (τεμάχια)	Σε τεμάχια	1 - 3
Μορταδέλα/ λουκάνικο/ σαλάμι	Θα πρέπει να φυλάσσεται συσκευασμένο ακόμα και αν έχει μεμβράνη	
Κοτόπουλο και γαλοπούλα	Τύλιγμα σε μεμβράνη	4 - 6
Χήνα και πάπια	Τύλιγμα σε μεμβράνη	4 - 6
Ελάφι, κουνέλι, αγριογούρουνο	Σε μερίδες 2,5 κιλών ή σε φιλέτα	6 - 8
Ψάρια γλυκού νερού (σολομός, κυπρίνος, πέστροφα, γατόψαρο)	Αφού αφαιρέσετε τα εντόσθια και τα λέπια, πλύνετε και στεγνώστε. Αν χρειάζεται, αφαιρέστε το κεφάλι και την ουρά.	2
Μη λιπαρά ψάρια (πέρκα, καλκάνι, πησσί)		4
Λιπαρά ψάρια (τόνος, σκουμπρί, γοφάρι, σαρδέλα)		2 - 4
Οστρακοειδή	Καθαρά και μέσα σε σακούλα	4 - 6
Χαβιάρι	Στη συσκευασία του ή σε αλουμινένιο ή πλαστικό δοχείο	2 - 3
Σαλιγκάρια	Σε αλατόνερο, ή σε αλουμινένιο ή πλαστικό δοχείο	3

 **ΣΗΜΕΙΩΣΗ:** Το κατεψυγμένο κρέας θα πρέπει να μαγειρεύεται σαν νωπό κρέας, αφού αποψυχθεί. Αν το κρέας δεν μαγειρευτεί αφού αποψυχθεί, δεν πρέπει να καταψυχθεί πάλι.

Λαχανικά και Φρούτα	Προετοιμασία	Μέγιστος χρόνος φύλαξης (μήνες)
Αμπελοφάσουλα και φασολάκια	Πλύνετε, κόψτε σε μικρά κομμάτια και βράστε σε νερό	10 - 13
Φασόλια	Αφαιρέστε από τους λοβούς, πλύνετε και βράστε σε νερό	12
Λάχανο	Καθαρίστε και βράστε σε νερό	6 - 8
Καρότο	Καθαρίστε, κόψτε σε φέτες και βράστε σε νερό	12
Πιπεριά	Κόψτε το κοτσάνι, κόψτε στα δύο, αφαιρέστε τους σπόρους και βράστε σε νερό	8 - 10
Σπανάκι	Πλύνετε και βράστε σε νερό	6 - 9
Κουνουπίδι	Αφαιρέστε τα φύλλα, κόψτε την καρδιά σε κομμάτια και αφήστε τα λίγο σε νερό με λίγο χυμό λεμονιού	10 - 12


Λαχανικά και Φρούτα	Προετοιμασία	Μέγιστος χρόνος φύλαξης (μήνες)
Μελιτζάνα	Πλύνετε και κόψτε σε κομμάτια των 2 cm	10 - 12


Λαχανικά και Φρούτα	Προετοιμασία	Μέγιστος χρόνος φύλαξης (μήνες)
Καλαμπόκι	Καθαρίστε και συσκευάστε με το κοτσάνι ή μόνο κόκκους	12
Μήλο και αχλάδι	Ξεφλουδίστε και κόψτε σε φέτες	8 - 10
Βερίκοκο και ροδάκινο	Κόψτε στα δύο και αφαιρέστε το κουκούτσι	4 - 6
Φράουλα και βατόμουρο	Πλύνετε και αφαιρέστε τα φύλλα	8 - 12
Μαγειρεμένα φρούτα	Προσθέστε 10% ζάχαρη στο δοχείο	12
Δαμάσκηνο, κεράσι, βύσσινο	Πλύνετε και αφαιρέστε τα κοτσάνια	8 - 12


	Μέγιστος χρόνος φύλαξης (μήνες)	Χρόνος απόψυξης σε θερμοκρασία δωματίου (ώρες)	Χρόνος απόψυξης στο φούρνο (λεπτά)
Ψωμί	4 - 6	2 - 3	4-5 (220-225 °C)
Μπισκότα	3 - 6	1 - 1,5	5-8 (190-200 °C)
Είδη ζύμης	1 - 3	2 - 3	5-10 (200-225 °C)
Πίτα	1 - 1,5	3 - 4	5-8 (190-200 °C)
Ζύμη φύλου	2 - 3	1 - 1,5	5-8 (190-200 °C)
Πίτσα	2 - 3	2 - 4	15-20 (200 °C)

Γαλακτοκομικά προϊόντα	Προετοιμασία	Μέγιστος χρόνος φύλαξης (μήνες)	Συνθήκες αποθήκευσης
Συσκευασία (ομογενοποιημένο) γάλα	Στη συσκευασία του	2 - 3	Καθαρό γάλα - στη συσκευασία του
Τυρί - εκτός από λευκό τυρί	Σε φέτες	6 - 8	Μπορεί να χρησιμοποιηθεί η αρχική συσκευασία για βραχυπρόθεσμη αποθήκευση. Φυλάξτε τυλιγμένο σε μεμβράνη για σχετικά μεγάλα διαστήματα.
Βούτυρο, μαργαρίνη	Στη συσκευασία του	6	

5 ΚΑΘΑΡΙΣΜΟΣ ΚΑΙ ΣΥΝΤΗΡΗΣΗ

 Πριν τον καθαρισμό, αποσυνδέετε πάντα τη μονάδα από το δίκτυο ρεύματος.


 Μην καθαρίζετε τη συσκευή χύνοντας νερό πάνω της.

 Μην χρησιμοποιείτε οποιαδήποτε προϊόντα, απορρυπαντικά ή σαπούνια που χαράζουν. Μετά το πλύσιμο, ξεπλύνετε με καθαρό νερό και στεγνώστε προσεκτικά. Όταν τελειώσετε τον καθαρισμό, επανασυνδέστε το φως στην παροχή ρεύματος δικτύου με στεγνά χέρια.

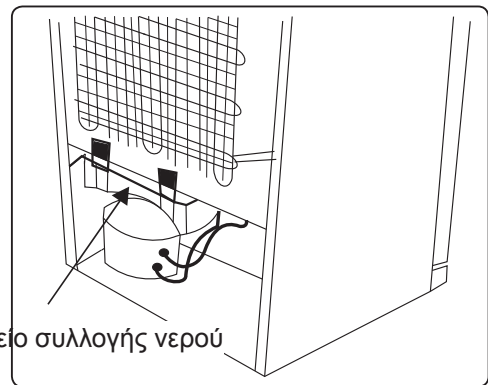
- Βεβαιωθείτε ότι δεν θα διεισδύσει νερό στο περίβλημα λαμπτήρα και σε άλλα ηλεκτρικά στοιχεία.
- Η συσκευή θα πρέπει να καθαρίζεται τακτικά με διάλυμα σόδας ζαχαροπλαστικής σε χλιαρό νερό.
- Καθαρίζετε τα αξεσουάρ ξεχωριστά με το χέρι χρησιμοποιώντας σαπούνι και νερό. Μην πλένετε τα αξεσουάρ σε πλυντήριο πιάτων.
- Καθαρίζετε τον συμπυκνωτή με μια βούρτσα τουλάχιστον δύο φορές τον χρόνο. Αυτό θα συμβάλλει στην εξοικονόμηση κόστους για ενέργεια και θα αυξήσει την απόδοση της συσκευής.

  **Η παροχή ρεύματος πρέπει να έχει αποσυνδεθεί κατά τον καθαρισμό.**

Καθαρισμός τζαμιών πόρτας

 Για τον καθαρισμό των τζαμιών θα πρέπει να χρησιμοποιείτε υδατικά προϊόντα που δεν χαράζουν.


5.1 Απόψυξη

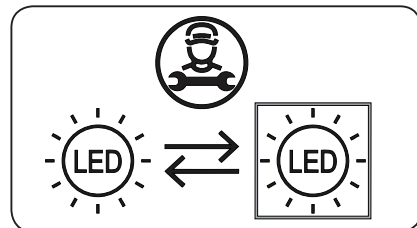


- Η συσκευή σας πραγματοποιεί αυτόματη απόψυξη. Το νερό που παράγεται από την απόψυξη περνάει μέσα από το στόμιο συλλογής νερού, φθάνει στο δοχείο συλλογής νερού στο πίσω μέρος της συσκευής και εκεί εξατμίζεται.
- Βεβαιωθείτε ότι έχετε αποσυνδέσει το φως της συσκευής σας πριν καθαρίσετε το δοχείο συλλογής νερού.
- Αφαιρέστε το δοχείο συλλογής νερού από τη θέση του αφαιρώντας τις βίδες (αν έχει βίδες). Καθαρίζετε το με σαπουνόνερο σε τακτικά χρονικά διαστήματα. Έτσι θα αποτραπεί η ανάπτυξη δυσάρεστων οσμών.

Αντικατάσταση λαμπτήρα LED

Για την αντικατάσταση οποιασδήποτε από τις LED επικοινωνήστε με το πλησιέστερο Εξουσιοδοτημένο Κέντρο Σέρβις.

 **Σημείωση:** Ο αριθμός και το μέρος τοποθέτησης των ταινιών LED μπορεί να διαφέρει ανάλογα με το μοντέλο.



Εάν το προϊόν είναι εξοπλισμένο με λάμπα LED

Αυτό το προϊόν περιέχει μια πηγή φωτός κατηγορίας ενεργειακής απόδοσης <E>.


Εάν το προϊόν είναι εξοπλισμένο με λωρίδα LED ή κάρτα LED


Αυτό το προϊόν περιέχει μια πηγή φωτός κατηγορίας ενεργειακής απόδοσης <F>.

6 ΜΕΤΑΦΟΡΑ ΚΑΙ ΑΛΛΑΓΗ ΘΕΣΗΣ

6.1 Μεταφορά και αλλαγή θέσης

- Η αρχική συσκευασία και το αφρώδες υλικό μπορεί να φυλαχτεί για την εκ νέου μεταφορά (προαιρετικά).
- Σταθεροποιήστε τη συσκευή σας με συσκευασία αρκετού πάχους, ιμάντες ή γερά σκοινιά και ακολουθήστε τις οδηγίες μεταφοράς που αναφέρονται πάνω στη συσκευασία.
- Για τη μεταφορά ή την αλλαγή θέσης, αφαιρέστε όλα τα κινητά εξαρτήματα ή στερεώστε τα μέσα στη συσκευή με ταινίες για να τα προστατέψετε από χτυπήματα.

 Πάντα μεταφέρετε τη συσκευή σας σε όρθια θέση.

 **Σημαντική παρατήρηση:** Προσέξτε τις γυάλινες επιφάνειες κατά τη μεταφορά.

6.2 Αλλαγή θέσης της πόρτας

- Δεν είναι δυνατόν να αλλάξετε την κατεύθυνση ανοίγματος της πόρτας της συσκευής σας, αν οι λαβές πόρτας είναι εγκατεστημένες στην μπροστινή επιφάνεια της πόρτας της συσκευής.
- Μπορείτε να αλλάξετε την κατεύθυνση ανοίγματος της πόρτας σε μοντέλα χωρίς λαβές.
- Αν μπορεί να αλλάξει η κατεύθυνση ανοίγματος της πόρτας της συσκευής σας, απευθυνθείτε στο πλησιέστερο Εξουσιοδοτημένο Κέντρο Σέρβις για να αναλάβει αυτή την εργασία.

7 ΠΡΙΝ ΚΑΛΕΣΕΤΕ ΤΗΝ ΥΠΗΡΕΣΙΑ ΕΞΥΠΗΡΕΤΗΣΗΣ ΠΕΛΑΤΩΝ

Σφάλματα

Το ψυγείο θα σας προειδοποιήσει αν οι θερμοκρασίες για τους θαλάμους ψυγείου και καταψύκτη είναι σε ακατάλληλα επίπεδα ή αν προκύψει πρόβλημα με τη συσκευή. Εμφανίζονται κωδικοί προειδοποίησης στις ενδείξεις θαλάμου καταψύκτη και ψυγείου.

ΤΥΠΟΣ ΣΦΑΛΜΑΤΟΣ	ΣΗΜΑΣΙΑ	ΑΙΤΙΑ	ΤΙ ΠΡΕΠΕΙ ΝΑ ΚΑΝΕΤΕ
SR	Προειδοποίηση «Βλάβης»	Υπάρχει(-ουν) εξάρτημα ή εξαρτήματα εκτός λειτουργίας ή υπάρχει βλάβη στην ψυκτική διαδικασία.	Καλέστε το συντομότερο έναν εκπρόσωπο σέρβις για βοήθεια.
LF	Ο θάλαμος καταψύκτη δεν είναι αρκετά κρύος	Αυτή η προειδοποίηση εμφανίζεται ειδικά αν υπήρξε διακοπή ρεύματος για μεγάλο χρονικό διάστημα ή όταν χρησιμοποιείται το ψυγείο για πρώτη φορά.	<ol style="list-style-type: none"> Χρησιμοποιήστε τα τρόφιμα σε σύντομο χρονικό διάστημα. Μην καταψύξετε πάλι τρόφιμα που έχουν αποψυχθεί. Ρυθμίστε τη θερμοκρασία καταψύκτη σε πιο ψυχρές τιμές ή ρυθμίστε τη λειτουργία Ταχείας Κατάψυξης έως ότου ο θάλαμος επανέλθει σε κανονική θερμοκρασία. Μην τοποθετήσετε νωπά τρόφιμα στη συσκευή μέχρι να διορθωθεί το πρόβλημα.
LC	Ο θάλαμος ψυγείου δεν είναι αρκετά κρύος	Αυτή η προειδοποίηση εμφανίζεται ειδικά αν υπήρξε διακοπή ρεύματος για μεγάλο χρονικό διάστημα ή όταν χρησιμοποιείται το ψυγείο για πρώτη φορά. Η ιδανική θερμοκρασία για το σύστημα ψυγείου είναι +4 °C. Αν δείτε αυτή την προειδοποίηση, τα τρόφιμά σας κινδυνεύουν να αλλοιωθούν.	<ol style="list-style-type: none"> Ρυθμίστε τη θερμοκρασία ψυγείου σε πιο ψυχρές τιμές ή ρυθμίστε τη λειτουργία Ταχείας Ψύξης έως ότου ο θάλαμος επανέλθει σε κανονική θερμοκρασία. Ανοίγετε την πόρτα όσο το δυνατόν λιγότερο μέχρι να διορθωθεί το πρόβλημα.
LF και LC	Προειδοποίηση «Όχι αρκετά κρύο»	Είναι ένας συνδυασμός των τύπων σφάλματος LF και LC.	Θα δείτε αυτή την ένδειξη σφάλματος όταν τίθεται πρώτη φορά σε λειτουργία η συσκευή. Η ένδειξη θα πάψει να εμφανίζεται αφού οι θάλαμοι φθάσουν σε κανονική θερμοκρασία.
HC	Ο θάλαμος ψυγείου είναι υπερβολικά κρύος	Τα τρόφιμα θα αρχίσουν να παγώνουν επειδή η θερμοκρασία είναι υπερβολικά χαμηλή.	<ol style="list-style-type: none"> Ελέγξτε αν είναι ενεργοποιημένη η λειτουργία Ταχείας Ψύξης. Μειώστε τις τιμές ρύθμισης θερμοκρασίας στο ψυγείο.
LOPO	Προειδοποίηση «Χαμηλής τάσης»	Εμφανίζεται όταν η τάση της παροχής ρεύματος πέσει κάτω από τα 170 V.	Αυτό δεν είναι βλάβη. Έτσι αποτρέπεται ζημιά στον συμπιεστή. Αυτή η προειδοποίηση θα πάψει να εμφανίζεται όταν η τάση φθάσει στο απαιτούμενο επίπεδο

Αν αντιμετωπίσετε κάποιο πρόβλημα με τη **συσκευή** σας, ελέγξτε τα παρακάτω σημεία, πριν επικοινωνήσετε με την υπηρεσία εξυπηρέτησης πελατών.

Η συσκευή δεν λειτουργεί

Ελέγξτε αν:

- Υπάρχει τροφοδοσία ρεύματος
- Το φως έχει συνδεθεί σωστά στην πρίζα
- Μήπως κάηκε η ασφάλεια της πρίζας ή έπεσε ασφάλεια ρεύματος
- Υπάρχει βλάβη στην πρίζα. Για να το ελέγξετε αυτό, συνδέστε στην ίδια πρίζα μια συσκευή που είναι γνωστό ότι λειτουργεί.

Η συσκευή δεν λειτουργεί ικανοποιητικά

Ελέγξτε αν:

- Η συσκευή έχει υπερφορτωθεί
- Η πόρτα της συσκευής έχει κλείσει καλά
- Ενδεχομένως υπάρχει σκόνη στον συμπυκνωτή
- Υπάρχει αρκετός χώρος γύρω από τα πίσω και τα πλευρικά τοιχώματα

Η συσκευή παράγει πολύ θόρυβο

Κανονικοί θόρυβοι

Θόρυβος τριξίματος προκύπτει:

- Κατά την αυτόματη απόψυξη
- Όταν η συσκευή ψύχεται ή θερμαίνεται (λόγω της διαστολής/ συστολής του υλικού της συσκευής).

Σύντομος θόρυβος τριξίματος

προκύπτει: Όταν ο θερμοστάτης ενεργοποιεί/ απενεργοποιεί τον συμπιεστή.

Θόρυβος μοτέρ: Υποδηλώνει ότι ο συμπιεστής λειτουργεί κανονικά. Ο συμπιεστής μπορεί να προκαλεί περισσότερο θόρυβο από το συνηθισμένο για ένα σύντομο χρονικό διάστημα, όταν ενεργοποιείται για πρώτη φορά.

Θόρυβος φουσαλίδων και

κελαρύσματος προκύπτει: Λόγω της ροής του ψυκτικού μέσου μέσα στους σωλήνες του συστήματος.

Θόρυβος ροής νερού προκύπτει:

Λόγω της ροής νερού προς το δοχείο εξάτμισης. Αυτός ο θόρυβος είναι κανονικός κατά την απόψυξη.

Θόρυβος φυσήματος αέρα

προκύπτει: Σε ορισμένα μοντέλα κατά την κανονική λειτουργία του συστήματος λόγω της κυκλοφορίας αέρα.

Οι πλευρές της συσκευής σε επαφή με τις στεγανοποιήσεις της πόρτας είναι ζεστές.

Ειδικά το καλοκαίρι (κατά τις θερμές εποχές), οι επιφάνειες που είναι σε επαφή με τις στεγανοποιήσεις της πόρτας μπορεί να αποκτήσουν σχετικά υψηλότερη θερμοκρασία κατά τη λειτουργία του συμπιεστή, αυτό είναι φυσιολογικό.

Υπάρχει συσσώρευση υγρασίας μέσα στη συσκευή

Ελέγξτε αν:

- Όλα τα τρόφιμα είναι σωστά συσκευασμένα. Τα δοχεία πρέπει να είναι στεγνά πριν τοποθετηθούν μέσα στη **συσκευή**.
- Η πόρτα της **συσκευής** ανοίγεται συχνά. Η υγρασία του χώρου εισέρχεται στη **συσκευή** όταν ανοίγουν οι πόρτες. Η υγρασία αυξάνεται ταχύτερα αν ανοίγετε τις πόρτες πιο συχνά, ιδιαίτερα αν η θερμοκρασία του χώρου είναι υψηλή.

Η πόρτα δεν ανοίγει ή δεν κλείνει σωστά.

Ελέγξτε αν:

- Υπάρχουν τρόφιμα ή συσκευασίες που εμποδίζουν την πόρτα να κλείσει.
- Οι στεγανοποιήσεις στις πόρτες έχουν χαλάσει ή φθαρεί
- Η **συσκευή** σας έχει τοποθετηθεί πάνω σε οριζόντια επιφάνεια.

Υποδείξεις

- Αν απενεργοποιήσετε τη συσκευή ή αν αποσυνδέσετε το φις από την πρίζα, πρέπει να περιμένετε τουλάχιστον 5 λεπτά πριν τη συνδέσετε πάλι στο ρεύμα ή την επανεκκινήσετε, για να μην προκληθεί βλάβη στον συμπιεστή.
- Εάν δεν πρόκειται να χρησιμοποιήσετε τη συσκευή σας για μεγάλο χρονικό διάστημα (π.χ. στις καλοκαιρινές διακοπές), τότε αποσυνδέστε το από το ρεύμα. Καθαρίστε τη συσκευή σύμφωνα με το κεφάλαιο καθαρισμού και αφήστε την πόρτα ανοικτή για την αποτροπή υγρασίας και οσμών.
- Αν το πρόβλημα επιμένει αφού έχετε ακολουθήσει όλες τις παραπάνω οδηγίες, συμβουλευτείτε το πλησιέστερο εξουσιοδοτημένο κέντρο σέρβις.
- Η συσκευή που προμηθευτήκατε έχει σχεδιαστεί μόνο για οικιακή χρήση. Δεν είναι κατάλληλη για επαγγελματική ή κοινόχρηστη χρήση. Αν ο καταναλωτής χρησιμοποιήσει τη συσκευή με τρόπο που δεν συμμορφώνεται με αυτό, δηλώνουμε ρητά ότι ο κατασκευαστής και ο έμπορος δεν θα φέρουν καμία ευθύνη για οποιαδήποτε επισκευή και βλάβη εντός της περιόδου εγγύησης.

8 ΣΥΜΒΟΥΛΕΣ ΓΙΑ ΕΞΟΙΚΟΝΟΜΗΣΗ ΕΝΕΡΓΕΙΑΣ

1. Εγκαταστήστε τη συσκευή σε ένα δροσερό, καλά αεριζόμενο δωμάτιο, αλλά όχι στο άμεσο φως του ήλιου και όχι κοντά στην πηγή θερμότητας (θερμαντικό σώμα, κουζίνα μαγειρέματος κ.λπ.) διαφορετικά θα πρέπει να χρησιμοποιηθεί μια μονωτική πλάκα.
2. Αφήνετε τα ζεστά τρόφιμα και ποτά να κρυώσουν πριν τα τοποθετήσετε μέσα στη συσκευή.
3. Τοποθετείτε τα τρόφιμα που θέλετε να αποψύξετε στον θάλαμο ψυγείου αν διατίθεται. Η χαμηλή θερμοκρασία των κατεψυγμένων τροφίμων θα βοηθήσει στην ψύξη του θαλάμου ψυγείου ενώ αποψύχονται τα τρόφιμα. Έτσι θα έχετε εξοικονόμηση ενέργειας. Τα κατεψυγμένα τρόφιμα που αποψύχονται έξω από τη συσκευή συνιστούν άσκοπη κατανάλωση ενέργειας.
4. Τα ποτά ή άλλα υγρά πρέπει να είναι καλυμμένα μέσα στη συσκευή. Αν παραμείνουν ακάλυπτα, η υγρασία μέσα στη συσκευή θα αυξηθεί και έτσι η συσκευή θα χρησιμοποιεί περισσότερη ενέργεια. Διατηρώντας καλυμμένα τα ποτά και άλλα υγρά συμβάλλετε στη διατήρηση του αρώματος και της γεύσης τους.
5. Προσπαθήστε να αποφύγετε να αφήνετε τις πόρτες ανοικτές για μεγάλα χρονικά διαστήματα ή να ανοίγετε τις πόρτες πολύ συχνά, επειδή θα εισέλθει ζεστός αέρας στη συσκευή και ο συμπιεστής θα ενεργοποιείται άσκοπα συχνά.
6. Κρατάτε κλειστά τα καλύμματα οποιουδήποτε θαλάμου διαφορετικής θερμοκρασίας στη συσκευή (συρταριού λαχανικών, διαμερίσματος έντονης ψύξης κλπ.).
7. Η στεγανοποίηση της πόρτας πρέπει να είναι καθαρή και να διατηρεί την ελαστικότητά της. Σε περίπτωση φθοράς, αντικαταστήστε τη στεγανοποίηση.

9 ΤΕΧΝΙΚΑ ΧΑΡΑΚΤΗΡΙΣΤΙΚΑ

Οι τεχνικές πληροφορίες βρίσκονται στην πινακίδα στοιχείων στην εσωτερική πλευρά της συσκευής και στην ενεργειακή ετικέτα.

Ο κώδικας QR στην ενεργειακή ετικέτα που παρέχεται με τη συσκευή αντιπροσωπεύει έναν διαδικτυακό σύνδεσμο προς τις πληροφορίες που σχετίζονται με την απόδοση της συσκευής στη βάση δεδομένων EPREL της ΕΕ.

Φυλάξτε την ενεργειακή ετικέτα για μελλοντική αναφορά, μαζί με το εγχειρίδιο χρήσης και όλα τα άλλα έγγραφα που παρέχονται με τη συσκευή.

Επίσης, μπορείτε να βρείτε τις ίδιες πληροφορίες στη βάση δεδομένων EPREL χρησιμοποιώντας τον σύνδεσμο <https://eprel.ec.europa.eu> και τον αριθμό μοντέλου και αριθμό προϊόντος που θα βρείτε στην πινακίδα στοιχείων της συσκευής.

Δείτε τον σύνδεσμο www.theenergylabel.eu για λεπτομερείς πληροφορίες σχετικά με την ενεργειακή ετικέτα.

10 ΠΛΗΡΟΦΟΡΙΕΣ ΓΙΑ ΙΝΣΤΙΤΟΥΤΑ ΔΟΚΙΜΩΝ

Η εγκατάσταση και προετοιμασία της συσκευής για οποιαδήποτε πιστοποίηση οικολογικού σχεδιασμού θα πρέπει να συμμορφώνεται με το EN 62552. Οι απαιτήσεις αερισμού, οι διαστάσεις εσοχής και τα ελάχιστα πίσω διάκενα πρέπει να είναι όπως αναφέρονται στο Εγχειρίδιο χρήσης στο ΜΕΡΟΣ 2. Παρακαλούμε επικοινωνήστε με τον κατασκευαστή για οποιεσδήποτε περαιτέρω πληροφορίες, περιλαμβανομένων προγραμμάτων φόρτωσης.

11 ΕΞΥΠΗΡΕΤΗΣΗ ΠΕΛΑΤΩΝ ΚΑΙ ΣΕΡΒΙΣ

Χρησιμοποιείτε πάντα γνήσια ανταλλακτικά. Όταν επικοινωνείτε με το Εξουσιοδοτημένο μας Κέντρο σέρβις, βεβαιωθείτε ότι έχετε διαθέσιμα τα εξής δεδομένα: Μοντέλο, αριθμό προϊόντος (PNC), αριθμό σειράς. Μπορείτε να βρείτε τις πληροφορίες αυτές στην πινακίδα στοιχείων.

Μπορείτε να βρείτε την ετικέτα στοιχείων στο εσωτερικό του τμήματος ψυγείου στην αριστερή κάτω πλευρά.

Τα γνήσια ανταλλακτικά για ορισμένα συγκεκριμένα εξαρτήματα είναι διαθέσιμα για τουλάχιστον 7 ή 10 χρόνια, ανάλογα με τον τύπο του εξαρτήματος, από την ημερομηνία διάθεσης στην αγορά της τελευταίας μονάδας του μοντέλου.

Για περισσότερες πληροφορίες, επισκεφτείτε τον ιστότοπο μας www.morris.gr

Blank page with horizontal dotted lines for writing.

ΣΗΜΕΙΩΣΗ ΓΙΑ ΤΗΝ ΑΝΑΚΥΚΛΩΣΗ



Α.Μ.Π. 00510

Π.Δ. 117/2004

Το προϊόν που αγοράσατε έχει σχεδιαστεί και κατασκευαστεί με υλικά υψηλών

προδιαγραφών και εξαρτήματα που μπορούν να ανακυκλωθούν και να

ξεναχρησιμοποιηθούν. Το σύμβολο υποδεικνύει ότι οι ηλεκτρικές και ηλεκτρονικές συσκευές, στο τέλος της ζωής τους, θα πρέπει να μεταφέρονται σε ειδικούς χώρους απορριμμάτων, ξεχωριστά από τα σκουπίδια του σπιτιού σας. Παρακαλούμε, ρωτήστε τον τοπικό σας δήμο για τον χώρο απόρριψης ηλεκτρικών και ηλεκτρονικών συσκευών ή για τοποθεσία απόρριψης συσκευών προς ανακύκλωση. Στις χώρες της Ευρωπαϊκής Ένωσης, υπάρχουν σημεία συγκέντρωσης χρησιμοποιημένων ηλεκτρικών και ηλεκτρονικών συσκευών.

Παρακαλούμε, βοηθήστε μας να προστατέψουμε το περιβάλλον που ζούμε!

ΔΗΛΩΣΗ ΣΥΜΜΟΡΦΩΣΗΣ

Με την παρούσα, δηλώνουμε ότι η παρούσα συσκευή συμμορφώνεται προς τις ουσιώδεις απαιτήσεις και τις λοιπές διατάξεις των παρακάτω οδηγιών:

EMC-Directive: 14 / 30 / EU

Low Voltage Directive: 14/ 35 / EU

ErP Directive 09 / 125 / EC

CE Marking: 93 / 68 / EEC

RoHS Directive: 11 / 65 / EU Delegated Directive (EU) 15 / 863

Αντίγραφο της Δήλωσης Συμμόρφωσης υπάρχει στο www.morris.gr





ΕΙΣΑΓΩΓΕΑΣ

Καλλιόπη Καρύδα & ΣΙΑ Ε.Ε.

17ης Νοεμβρίου 87Α

55535, Πυλαία, Θεσσαλονίκη

Τηλ. 2316 006600

Fax. 2316 006650

www.morris.gr

IMPORTER:

Kalliopi Karida & Co LP 87A, 17th

November str. 55535, Pylea,

Thessaloniki Tel. 2316 006600

Fax. 2316 006650

www.morris.gr

52378658