



MORRIS

W76326CAP



ΟΔΗΓΙΕΣ ΧΡΗΣΗΣ

ΨΥΓΕΙΟΚΑΤΑΨΥΚΤΗΣ / REFRIGERATOR

USER MANUAL

Διαβάστε προσεκτικά τις Οδηγίες Χρήσης πριν χρησιμοποιήσετε τη συσκευή
Please read this manual carefully before use this product

Index

BEFORE USING THE APPLIANCE.....	5
General warnings.....	5
Old and out-of-order fridges.....	9
Safety warnings	9
Installing and operating your fridge.....	10
Before Using your Fridge.....	11
Information about New Generation Cooling Technology	11
THE PARTS OF THE APPLIANCE AND THE COMPARTMENTS	13
Dimensions	15
THE VARIOUS FUNCTION AND POSSIBILITIES	16
Display and control panel	16
Operating your fridge	17
Super freeze mode	17
Super cool mode.....	17
Economy mode.....	17
Holiday mode.....	18
Drink cool mode.....	18
Screen saver mode.....	19
Light cancelling mode	19
Function of Child lock	19
Cooler temperature settings	20
Freezer temperature settings.....	20
Warnings about temperature adjustments.....	21
Accessories	22
Freezer box.....	22
Chiller shelf	22
Humidity controler	22
Adjustable door shelf	23
Adjustable glass shelf	23
Natural Ion Tech / Ionisier	23
Maxi-fresh preserver.....	24

CLEANING AND MAINTENANCE	25
Defrosting	26
Replacing LED Lighting	26
ARRANGING FOOD IN THE APPLIANCE	27
Refrigerator compartment	27
Freezer compartment	29
TRANSPORTATION AND CHANGING OF INSTALLATION POSITION	33
Repositioning the door	33
BEFORE CALLING YOUR AFTER SALES SERVICE ...	34
TIPS FOR SAVING ENERGY	38
TECHNICAL DATA	39
INFORMATION FOR TEST INSTITUTES	39
CUSTOMER CARE AND SERVICE	39

General warnings

This appliance is not intended to be used as a built-in appliance.

! WARNING: Keep ventilation openings, in the appliance enclosure or in the built-in structure, clear of obstruction.

! WARNING: Do not use mechanical devices or other means to accelerate the defrosting process, other than those recommended by the manufacturer.

! WARNING: Do not use electrical appliances inside the food storage compartments of the appliance, unless they are of the type recommended by the manufacturer.

! WARNING: Do not damage the refrigerant circuit.

! WARNING: When positioning the appliance, ensure the supply cord is not trapped or damaged.

! WARNING: Do not locate multiple portable socket-outlets or portable power supplies at the rear of the appliance.

! WARNING: In order to avoid any hazards resulting from the instability of the appliance, it must be fixed in accordance with the following instructions:

⚠ If your appliance uses R600a as a refrigerant (this information will be provided on the label of the cooler) you should take care during transportation and installation to prevent the cooler elements from being damaged. R600a is an environmentally friendly and natural gas, but it is explosive. In the event of a leak due to damage of the cooler elements, move your fridge away from open flames or heat sources and ventilate the room where the

appliance is located for a few minutes.

- While carrying and positioning the fridge, do not damage the cooler gas circuit.
- Do not store explosive substances such as aerosol cans with a flammable propellant in this appliance.
- This appliance is intended to be used in household and domestic applications such as:
 - staff kitchen areas in shops, offices and other working environments.
 - farm houses and by clients in hotels, motels and other residential type environments.
 - bed and breakfast type environments;
 - catering and similar non-retail applications.
- If the socket does not match the refrigerator plug, it must be replaced by the manufacturer, a service agent or similarly qualified persons in order to avoid a hazard.
- A specially grounded plug has been connected to the power cable of your refrigerator. This plug should be used with a specially grounded socket of 16 amperes. If there is no such socket in your house, please have one installed by an authorised electrician.
- This appliance can be used by children aged from 8 years and above and persons with reduced physical, sensory or mental capabilities or lack of experience and knowledge if they have been given supervision or instruction concerning use of the appliance in a safe way and understand the hazards involved. Children shall not play with the appliance. Cleaning and user maintenance shall not be made by children without supervision.

- Children aged from 3 to 8 years are allowed to load and unload refrigerating appliances. Children are not expected to perform cleaning or user maintenance of the appliance, very young children (0-3 years old) are not expected to use appliances, young children (3-8 years old) are not expected to use appliances safely unless continuous supervision is given, older children (8-14 years old) and vulnerable people can use appliances safely after they have been given appropriate supervision or instruction concerning use of the appliance. Very vulnerable people are not expected to use appliances safely unless continuous supervision is given.
- If the supply cord is damaged, it must be replaced by the manufacturer, an authorised service agent or similar qualified persons, in order to avoid a hazard.
- This appliance is not intended for use at altitudes exceeding 2000 m.

To avoid contamination of food, please respect the following instructions:

- Opening the door for long periods can cause a significant increase of the temperature in the compartments of the appliance.
- Clean regularly surfaces that can come in contact with food and accessible drainage systems
- Store raw meat and fish in suitable containers in the refrigerator, so that it is not in contact with or drip onto other food.
- Two-star frozen-food compartments are suitable for storing pre-frozen food, storing or making ice cream and making ice cubes.

BEFORE USING THE APPLIANCE

- One-, two- and three-star compartments are not suitable for the freezing of fresh food.
- If the refrigerating appliance is left empty for long periods, switch off, defrost, clean, dry, and leave the door open to prevent mould developing within the appliance.

Old and out-of-order fridges

- If your old fridge has a lock, break or remove the lock before discarding it, because children may get trapped inside it and may cause an accident.
- Old fridges and freezers may contain isolation material and refrigerant with CFC or HFC. Therefore, take care not to harm environment when you are discarding your old fridges.

Please ask your municipal authority about the disposal of the WEEE reuse, recycle and recovery purposes.

Notes:

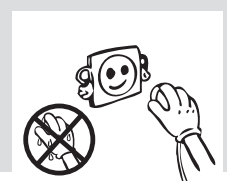
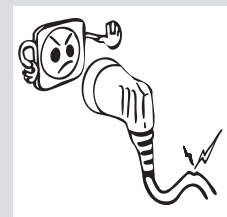
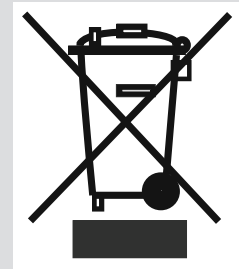
- Please read the instruction manual carefully before installing and using your appliance. **We are not responsible for the damage occurred due to misuse.**
- Follow all instructions on your appliance and instruction manual, and keep this manual in a safe place to resolve the problems that may occur in the future.
- This appliance is produced to be used in homes and it can only be used in domestic environments and for the specified purposes. It is not suitable for commercial or common use. Such use will cause the guarantee of the appliance to be cancelled and our company will not be responsible for losses incurred.
- This appliance is produced to be used in houses and it is only suitable for cooling / storing food. It is not suitable for commercial or common use and/or for storing substances except for food. Our company is not responsible for losses to be incurred in the contrary case.

Safety warnings

- Do not connect your Fridge Freezer to the mains electricity supply using an extension lead.
- Do not plug in damaged, torn or old plugs.
- Do not pull, bend or damage the cord.



- This appliance is designed for use by adults, do not allow children to play with the appliance or let them hang off the door.
- Never touch the power cord/plug with wet hands as this could cause a short circuit or electric shock.
- Do not place glass bottles or beverage cans in the ice-making compartment as they can burst as the contents freeze.



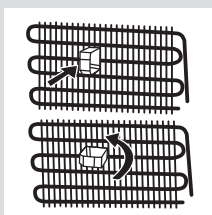


- Do not place explosive or flammable material in your fridge. Place drinks with high alcohol content vertically in the fridge compartment and make sure that their tops are tightly closed.
- When removing ice from the ice-making compartment, do not touch it. Ice may cause frost burns and/or cuts.
- Do not touch frozen goods with wet hands. Do not eat ice-cream or ice cubes immediately after you have taken them out of the ice-making compartment.
- Do not re-freeze frozen goods after they have melted. This may cause health issues such as food poisoning.
- Do not cover the body or top of fridge with lace. This affects the performance of your fridge.
- Secure any accessories in the fridge during transportation to prevent damage to the accessories.

Installing and operating your fridge

Before using your fridge, you should pay attention to the following points:

- The operating voltage for your fridge is 220-240 V at 50Hz.
- We do not accept responsibility for any damages that occur due to ungrounded usage.
- Place your fridge where it will not be exposed to direct sunlight.
- Your appliance should be at least 50 cm away from stoves, gas ovens and heater cores, and at least 5 cm away from electrical ovens.
- Your fridge should never be used outdoors or exposed to rain.
- When your fridge is placed next to a deep freezer, there should be at least 2 cm between them to prevent humidity forming on the outer surface.
- Do not place anything on your fridge, and install your fridge in a suitable place so that at least 15 cm of free space is available above it.
- Do not place heavy items on the appliance.
- Use the adjustable front legs to make sure your appliance is level and stable. You can adjust the legs by turning them in either direction. This should be done before placing food in the fridge.
- Before using your fridge, wipe all parts with a solution of warm water and a teaspoon of sodium bicarbonate, then rinse with clean water and dry. Place all parts in the fridge after cleaning.
- Install the plastic distance guide (the part with black vanes at the rear) by turning it 90° (as shown in the figure) to prevent the condenser from touching the wall.
- The refrigerator should be placed against a wall with a free space not exceeding 75 mm.



Before Using your Fridge

- When using your fridge for the first time, or after transportation, keep it in an upright position for at least 3 hours before plugging into the mains. This allows efficient operation and prevents damage to the compressor.
- Your fridge may have a smell when it is operated for the first time. This is normal and the smell will fade away when your fridge starts to cool.

Information about New Generation Cooling Technology

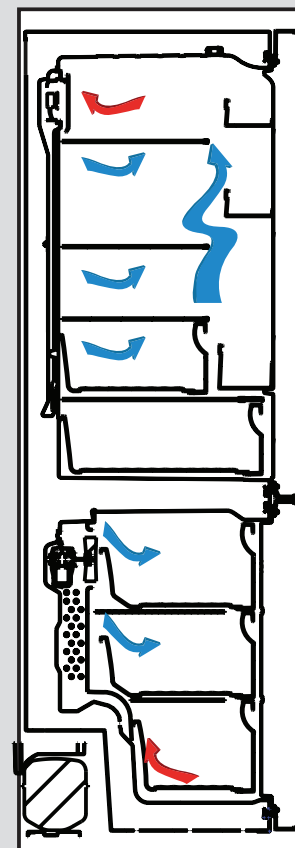
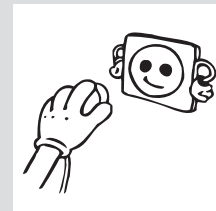
Fridges with new generation cooling technology have a different working system than static fridges. In normal fridges, humid air that enters into fridge and the water vapor that comes out from the foods, accumulates frost formation in freezer compartment. In order to melt this frost, in other words defrost, the fridge has to be stopped. During the stopping period, to keep the foods cold, user has to extract the food to outside of fridge and user has to clear the ice during this period.

In the fridges with new generation cooling technology, situation in the freezer compartment is completely different. With the aid of fan, cold and dry air is blown out through many points into the freezer compartment. As a result of the homogenously blown cold air, even in the spaces between shelves, foods are frozen equally and correctly. On the other hand there will be no frost formation.

In the refrigerator compartment, there will be nearly same configuration with freezer compartment. Air, that is emitted with the fan, located at the top of refrigerator compartment, is cooled while passing through the gap behind the air duct. At the same time, air is blown out through the holes on the air duct so that cooling process is successfully completed in the refrigerator compartment. Holes on the air duct are designed such that the air distribution becomes homogenous in this compartment.

As there is no air passage between freezer and refrigerator compartment, there will be no odor mixing.

As a result of these, your fridge with new generation cooling technology, gives you, ease of use beside the huge volume and esthetic appearance.



Internal lighting**WARNING!**

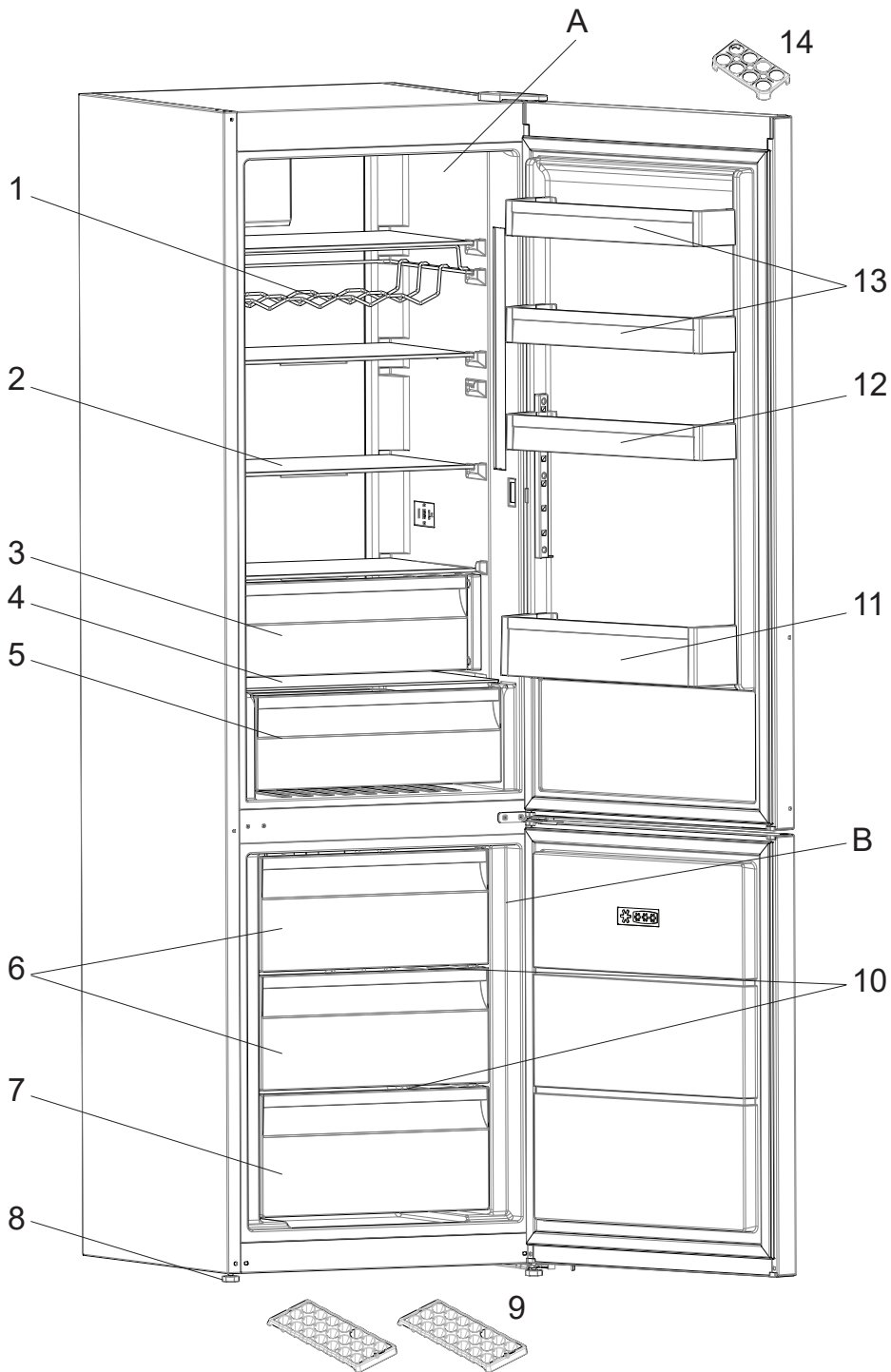
Risk of electric shock.

- Concerning the lamp(s) inside this product and spare part lamps sold separately: These lamps are intended to withstand extreme physical conditions in household appliances, such as temperature, vibration, humidity, or are intended to signal information about the operational status of the appliance. They are not intended to be used in other applications and are not suitable for household room illumination.

General notes:

Fresh Food Compartment (Fridge): Most efficient use of energy is ensured in the configuration with the drawers in the bottom part of the appliance, and shelves evenly distributed, position of door bins does not affect energy consumption.

Freezer Compartment (Freezer): Most Efficient use of energy is ensured in the configuration with the drawers and bins are on stock position.



This presentation is only for information about the parts of the appliance.
Parts may vary according to the appliance model.

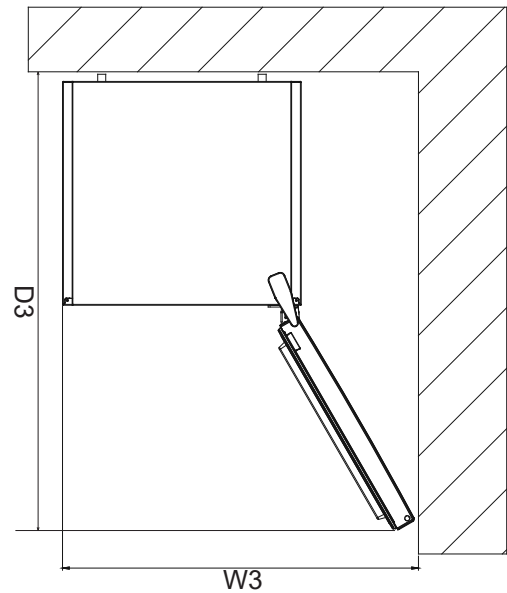
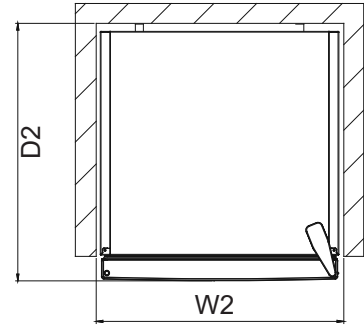
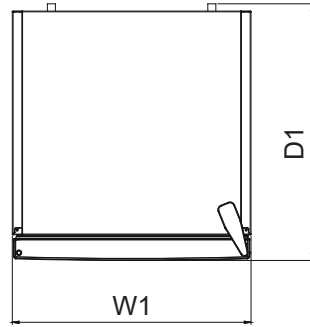
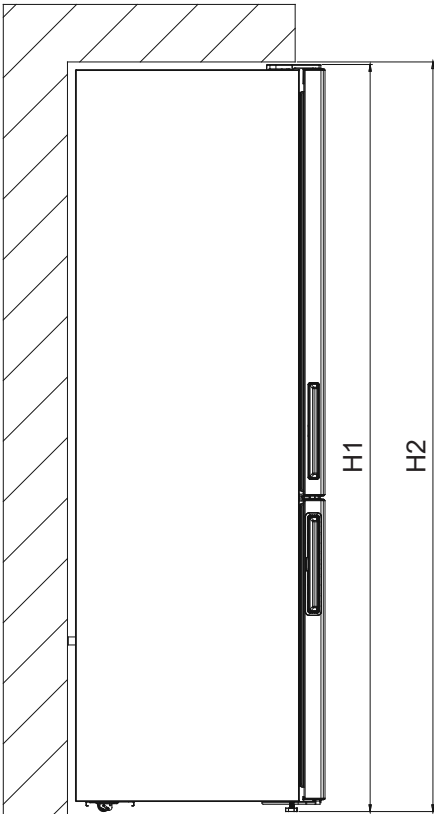
- A) Fridge compartment
- B) Freezer compartment

- 1) Wine rack *
- 2) Fridge shelves
- 3) Chiller *
- 4) Crisper cover
- 5) Crisper
- 6) Freezer top-middle basket
- 7) Freezer bottom basket
- 8) Leveling feet
- 9) Ice tray
- 10) Freezer glass shelves
- 11) Bottle shelf
- 12) Adjustable door shelf * / Upper door shelf
- 13) Upper door shelf
- 14) Egg holder

* In some models

This presentation is only for information about the parts of the appliance.
Parts may vary according to the appliance model.

Dimensions

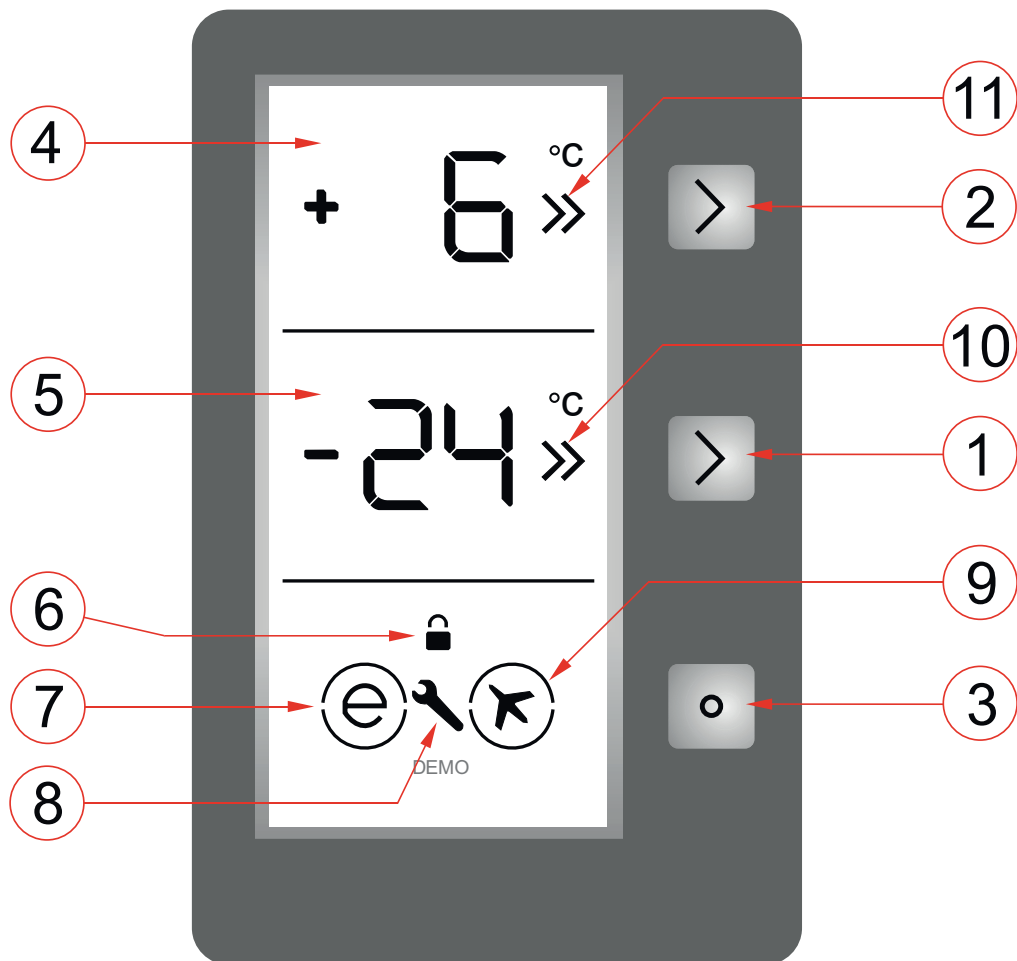


Overall dimensions ¹		
H1	mm	2010
W1	mm	595
D1	mm	650

Space required in use ²		
H2	mm	2060
W2	mm	595
D2	mm	688

Overall space required in use ³		
W3	mm	877
D3	mm	1179

Display and control panel

**Lighting (If available)**

When the product is plugged in for the first time, the interior lights may turn on 1 minute late due to opening tests.

Use of control panel

1. It enables the setting of the freezer to be modified and super freeze mode to be activated, if desired. The Freezer may be set to -16, -18, -20, -22, -24 °C, SF.
2. It enables the setting of the cooler to be modified and super cool mode to be activated, if desired. The Cooler may be set to 8, 6, 5, 4, 2 °C, SC.
3. It enables the different modes (economy, holiday...) to be activated if desired.
4. Cooler set value screen.
5. Freezer set value screen.
6. Child-lock symbol.
7. Economy mode symbol.
8. Alarm symbol.
9. Holiday mode symbol.
10. Super freeze indicator.
11. Super cooling indicator.

Operating your fridge

Super freeze mode

How would it be used?

- Press the Freezer Set Button until SF is shown on the screen. The buzzer will sound twice and the mode will be set.
- The freezer temperature segment will show "SF".

During this mode:

- The temperature of the Cooler and Super Cool Mode may be adjusted. In this case, Super Freeze Mode continues.
- Economy and Holiday Mode cannot be selected.
- Super Freeze Mode can be cancelled in the same way that it was selected.

Super cool mode

How would it be used?

- Press the Cooler Set Button until SC is shown on the screen. The buzzer will sound twice and the mode will be set.
- The Cooler temperature segment will show "SC".

During this mode:

- The temperature of the Freezer and Super Freeze Mode may be adjusted. In this case, Super Cool Mode continues.
- Economy and Holiday Mode cannot be selected.
- Super Cool Mode can be cancelled in the same way it was selected.

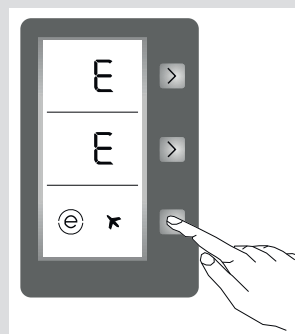
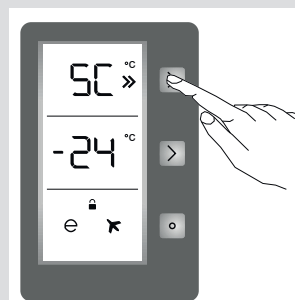
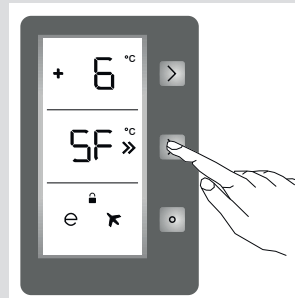
Economy mode

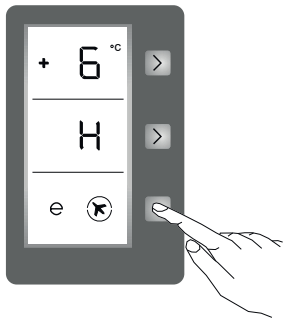
How would it be used?

- Push the "Mode Button" until a circle appears around economy symbol.
- If no button is pressed for 1 second, the mode will be set. The circle will blink 3 times and the buzzer will sound twice.
- The Freezer and Refrigerator temperature segments will show "E".
- The circle of the Economy Symbol and E will illuminate until the mode finishes.

During this mode:

- The Freezer may be adjusted. When Economy Mode is cancelled, the selected setting values will remain.
- The Cooler may be adjusted. When Economy Mode is cancelled, the selected setting values will remain.
- Super Cool and Super Freeze modes can be selected. Economy Mode is automatically cancelled and the selected mode is activated.





- Holiday Mode can be selected after cancelling the Economy Mode. The selected mode is activated.
- To cancel, press the Mode Button.

Holiday mode

How would it be used?

- Push the Mode Button until a circle appears around the plane symbol.
- If no button is pressed for 1 sec, the mode will be set. The Circle will blink 3 times and the buzzer will beep twice.
- The Freezer temperature segment will show "H".
- The Circle of the plane symbol and H will be illuminated until the mode finishes.

During this mode:

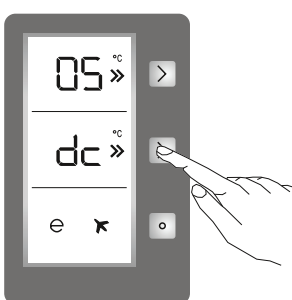
- The Freezer may be adjusted. When Holiday Mode is cancelled, the selected setting values will remain.
- The Cooler may be adjusted. When Holiday Mode is cancelled, the selected setting values will remain.
- Super Cool and Super Freeze Modes can be selected. Holiday Mode is automatically cancelled and the selected mode is activated.
- Economy Mode can be selected after cancelling the Holiday Mode. Then, the selected mode is activated.
- To cancel, press the Mode Button.

Drink cool mode

When would it be used?

This mode is used to cool the drinks within adjustable time.

How would it be used?

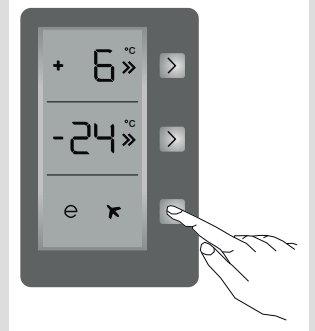


- Press the freezer button for 3 seconds.
- "dc" will be seen on freezer screen and 05 blinks on the cooler screen.
- Press the cooler button to adjust the time (05 - 10 - 15 - 20 - 25 - 30 minutes).
- When you select the time the numbers will blink 3 times on screen and the buzzer will sound twice.
- If no button is pressed within 2 seconds the time will be set.
- The countdown starts from the adjusted time minute by minute.
- The remaining time blinks on the screen.
- To cancel this mode, press the freezer set button for 3 seconds.

Screen saver mode

How to use?

- This mode will be activated when you press the mode button for 5 seconds.
- If no button is pressed within 5 seconds when the mode is active, the lights of the control panel will go out.
- If you press any button when the lights of control panel are off, the current settings will appear on the screen, and then you can make the adjustment you want. If you do not cancel the screen saver mode or press any button within 5 seconds, the control panel will go off again.
- To cancel screen saver mode, press the mode button for 5 seconds again.
- When screen saver mode is active, you can also activate child lock.
- If you do not press any button for 5 seconds after activating child lock, the lights of the control panel will go off. Then, you can view the previous settings and that child lock is active by pressing any button. You can cancel child lock as described in the instructions for that mode.



Light cancelling mode

When would it be used?

- Select this mode if you want to cancel the cooler lights.
- This mode is selected by pressing the freezer, cooler or mode buttons or by opening and closing one of the doors 3 times. From then on, the lights will not come on until the mode is cancelled (or after 24 hours).
- If you want to cancel this mode, repeat the same process. This mode will automatically cancel itself after 24 hours.

Function of Child lock

When would it be used?

Child lock is available on the appliance to prevent children from playing with the buttons and changing the settings you have made.

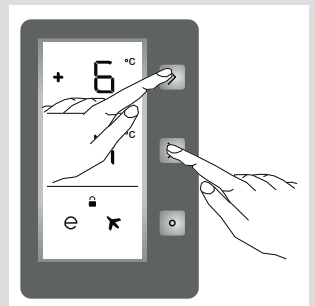
Activating Child Lock

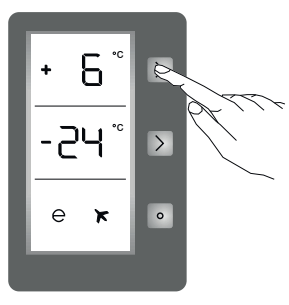
Simultaneously press the Freezer and Cooler buttons for 5 seconds.

Deactivating Child Lock

Simultaneously press the Freezer and Cooler buttons for 5 seconds.

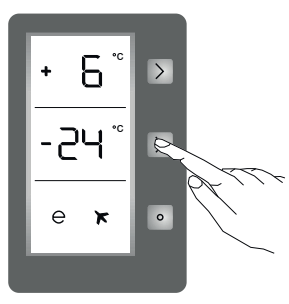
Note: Child lock will also be deactivated if the electricity supply is interrupted or the fridge is unplugged.





Cooler temperature settings

- The initial temperature value for the Cooler Setting Indicator is +4 °C.
- Press the cooler button once.
- When you first press the button, the previous value appears on the setting indicator of the cooler.
- Whenever you press the button, lower temperatures will be set. (+8°C, +6°C, +5°C, +4°C, +2°C, supercool).
- If you press the cooler set button until the supercool symbol appears on the Cooler Setting Indicator and do not press any buttons within 1 second, Super Cool will flash.
- If you continue to press the button, it will restart from +8°C.
- The temperature value selected before Holiday Mode, Super Freeze Mode, Super Cool Mode or Economy Mode is activated, will remain the same when the mode is over or cancelled. The appliance continues to operate with this temperature value.



Freezer temperature settings

- The initial temperature value for the Freezer Setting Indicator is -18°C.
- Press the freezer set button once.
- When you first press the button, the previous value will blink on screen.
- Whenever you press on this button, lower temperatures will be set (-16°C, -18°C, -20°C, -22°C, -24°C superfreeze).
- If you press the freezer set button until the superfreeze symbol appears on the Freezer Setting Indicator and do not press any buttons within 1 second, Super Freeze will flash.
- If you continue to press the button, it will restart from -16°C.
- The temperature value selected before Holiday Mode, Super Freeze Mode, Super Cool Mode or Economy Mode is activated, will remain the same when the mode is over or cancelled. The appliance continues to operate with this temperature value.

Warnings about temperature adjustments

- Your temperature adjustments will not be deleted when an energy breakdown occurs.
- It is not recommended that you operate your fridge in environments colder than 10°C in terms of its efficiency.
- Temperature adjustments should be made according to the frequency of door openings and the quantity of food kept inside the fridge.
- Do not move to another adjustment before completing the current adjustment.
- In order to allow your fridge to reach the operating temperature after being plugged in, do not open the doors frequently or place large quantities of food in the fridge. Please note that depending on the ambient temperature, it may take 24 hours for your fridge to reach the operating temperature.
- A 5 minute delay function is applied to prevent damage to the compressor of your fridge when unplugging or plugging in, or when an energy breakdown occurs. Your fridge will start to operate normally after 5 minutes.
- Your fridge is designed to operate in the ambient temperature intervals stated in the standards, according to the climate class displayed on the information label. We do not recommend operating your fridge out of the stated temperature limits in terms of cooling effectiveness.
- This appliance is designed for use at an ambient temperature within the 10°C - 43°C range.

Climate class and meaning:

T (tropical): This refrigerating appliance is intended to be used at ambient temperatures ranging from 16 °C to 43 °C.

ST (subtropical): This refrigerating appliance is intended to be used at ambient temperatures ranging from 16 °C to 38 °C.

N (temperate): This refrigerating appliance is intended to be used at ambient temperatures ranging from 16 °C to 32 °C.

- **SN (extended temperate):** This refrigerating appliance is intended to be used at ambient temperatures ranging from 10 °C to 32 °C.

Note: If the temperature of the environment is higher than 38°C, the freezer partition temperature cannot be adjusted to -22°C and -24°C. It can only be adjusted to the values of -16°C, -18°C, -20°C.

Accessories

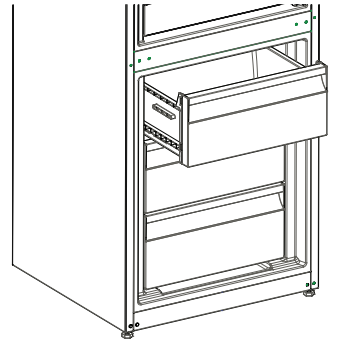
Freezer box

The freezer box allows foods are maintained more regularly.

Removing The freezer box;

- Pull the box out as far as possible
- Pull the front of box up and out.
- ! Make the inverse of the same operation for the resetting the sliding compartment.

Note: Always Keep the handle of box while removing the box.

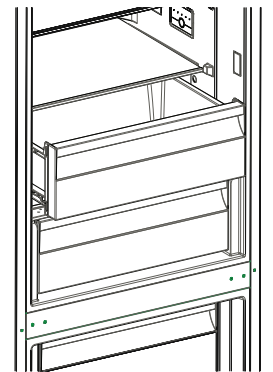


Chiller shelf (In some models)

Keeping food in the Chiller compartment instead of the freezer or refrigerator compartment allows food retain freshness and flavour longer, while preserving its fresh appearance. When chiller tray becomes dirty, remove it and wash it with water.

(Water freezes at 0°C, but foods containing salt or sugar freeze at temperature lower than that)

Normally people use the chiller compartment for raw fish, lightly pickled, rice, etc...



Do not put foods you want to freeze or ice trays in order to make ice.

Removing the chiller shelf

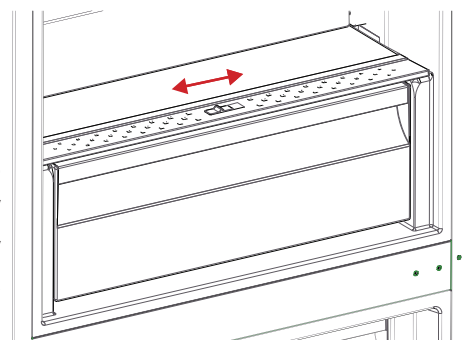
- Pull the chiller shelf out toward you by sliding on rails.
- Pull the chiller shelf up from rail to remove.

Humidity controler

When the humidity controler in the closed position, it allows fresh fruit and vegetables to be stored longer.

In case of the crisper is totally full, the fresh dial is located in front of crisper, should be opened. By means of this the air in the crisper and humidity rate will be controlled and endurance life will be increased.

If you see any condensation on glass shelf, humidity control should be taken into the open positions.



Adjustable door shelf *(In some models)*

Six different height adjustments can be made to provide storage areas that you need by adjustable door shelf.

To change the position of adjustable door shelf ;

Hold the bottom of the shelf and pull the buttons on the side of the door shelf direction of arrow (Fig.1).

Position door shelf the height you need by moving up and down. After you get the position that you want the door shelf, release the buttons on the side of the door shelf (Fig.2) Before releasing the door shelf, move up down and make sure the door shelf is fixed.

Note: Before moving door shelf is loaded, you must hold the shelf by supporting the bottom. Otherwise, door shelf could fall off the rails due to the weight. So damage may occur on the door shelf or rails.

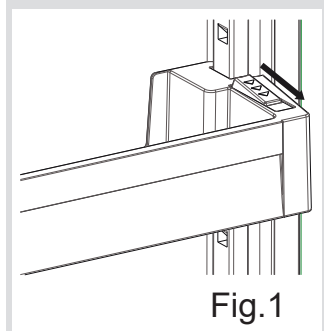


Fig.1

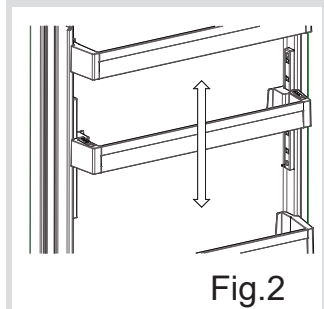


Fig.2

Adjustable glass shelf *(In some models)*

Adjustable glass shelf mechanism provides higher storage spaces with a simple movement. To cover the glass shelf, push it.

- To cover the glass shelf, push it. (Fig.1)
- You can load your food as you want in the resulting extra space. (Fig.2)
- To bring the shelf in its original position, pull it toward you. (Fig.1)

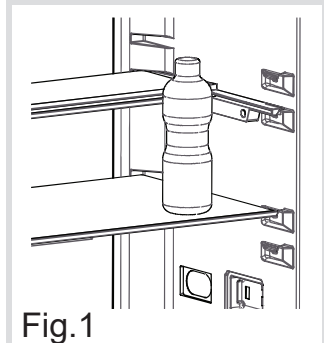


Fig.1

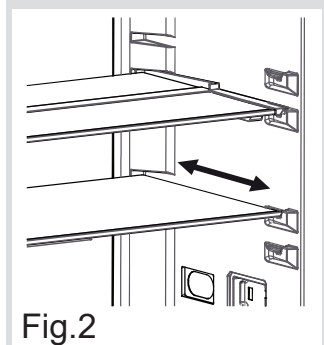


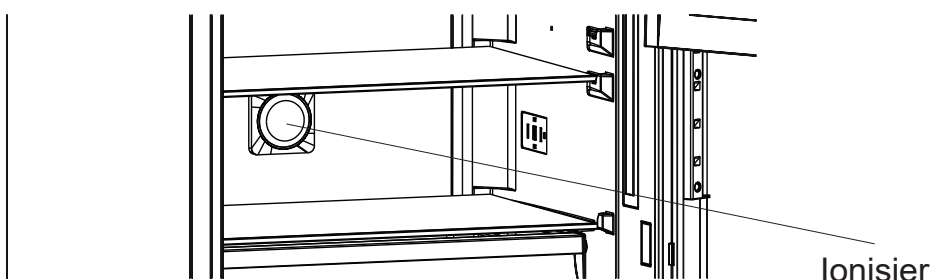
Fig.2

Natural Ion Tech / Ionisier *(In some models)*

Natural Ion Tech spreads negative ions which neutralize particles of unpleasant smell and dust in the air.

By removing these particles from the air in the refrigerator, Natural Ion Tech improves air quality and eliminates odours.

- This feature is optional. It may not exist on your product.
- The location of your ioniser device may vary from product to product.

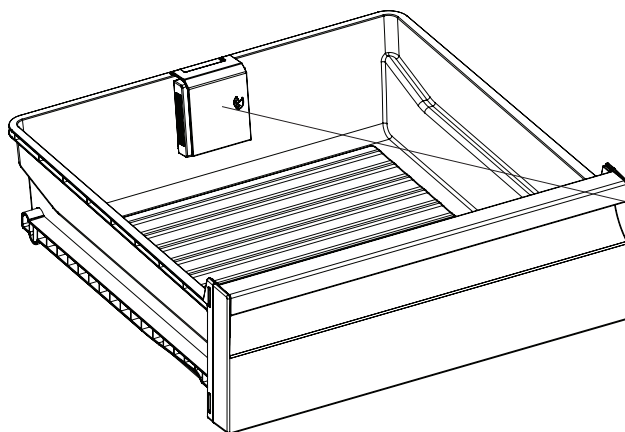
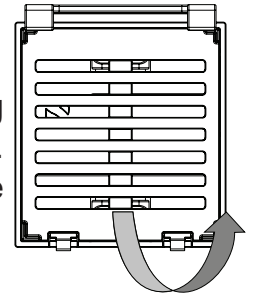
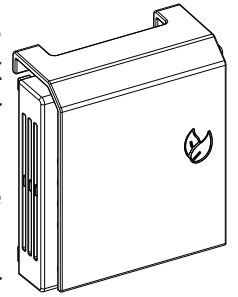


Maxi-fresh preserver

Maxi Fresh Preserver technology helps to remove ethylene gas (a bioproduct released naturally from fresh foods) and unpleasant odors from the crisper. In this way, food stays fresh for a longer time.

- **Maxi Fresh Preserver** must be cleaned once in a year. The filter should be waited for 2 hours at 65°C in a oven.
- To clean the filter, please remove the back cover of the filter box by pulling it in the direction of the arrow.
- The filter should not be washed with water or any detergent.

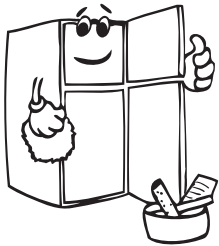
Notes: The assembly position of the filter may vary depending on the crisper design. Please see the related images on page 1. For some models, the filter cannot be attached as shown in the images. In this case it can be simply put into the drawer.



Maxi Fresh Preserver
(In some models)

Visual and text descriptions on the accessories section may vary according to the model of your appliance.

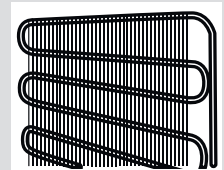
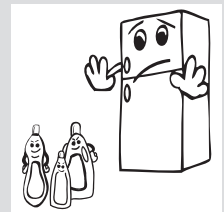
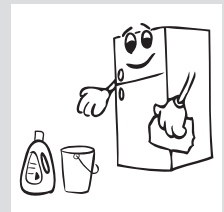
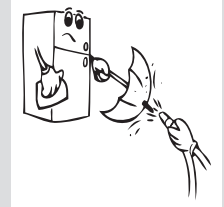
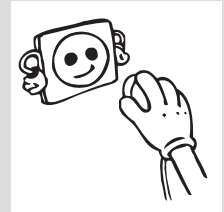
- **Disconnect the unit from the power supply before cleaning.**
- Do not clean the appliance by pouring water.
- Make sure that no water enters the lamp housing and other electrical components.
- The refrigerator should be cleaned periodically using a solution of bicarbonate of soda and lukewarm water.

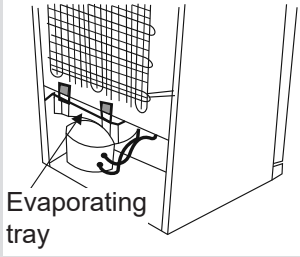


- Clean the accessories separately with soap and water. Do not clean them in the dishwasher.

- Do not use abrasive products, detergents or soaps. After washing, rinse with clean water and dry carefully. When you have finished cleaning, reconnect the plug to the mains supply with dry hands.
- Clean the condenser with a broom at least twice a year. This will help you to save on energy costs and increase productivity.

THE POWER SUPPLY MUST BE DISCONNECTED.





Defrosting

- Your refrigerator performs automatic defrosting. The water formed as a result of defrosting passes through the water collection spout, flows into the vaporisation container behind your refrigerator and evaporates there.
- Make sure you have disconnected the plug of your refrigerator before cleaning the vaporisation container.
- Remove the vaporisation container from its position by removing the screws as indicated. Clean it with soapy water at specific time intervals. This will prevent odours from forming.

Replacing LED Lighting

If your refrigerator has LED lighting contact the help desk as this should be changed by authorized personnel only.

Refrigerator compartment

- For normal operating conditions, adjusting the temperature value of the cooler partition of the fridge to 4°C will be enough.
- To reduce humidity and consequent increase of frost never place liquids in unsealed containers in the refrigerator. Frost tends to concentrate in the coldest parts of the evaporator and in time will require more frequent defrosting.
- Never place warm food in the refrigerator. Warm food should be allowed to cool at room temperature and should be arranged to ensure adequate air circulation in the refrigerator compartment.
- Nothing should touch on the back wall as it will cause frost and the packages can stick on the back wall. Do not open the refrigerator door too frequently.
- Arrange the meat and cleaned fish(wrapped in packages or sheets of plastic) which you will use in 1-2 days,in the bottom section of the refrigerator compartment(that is above the crisper) as this is the coldest section and will ensure the best storing conditions.
- You can put the fruits and vegetables into crisper without packing.
- For normal working conditions, it will be sufficient to adjust the temperature setting of your refrigerator to +4 °C.
- The temperature of the fridge compartment should be in the range of 0-8 °C, fresh foods below 0 °C are iced and rotted, bacterial load increases above 8 °C, and spoils.
- Do not put hot food in the refrigerator immediately, wait for the temperature to pass outside. Hot foods increase the degree of your refrigerator and cause food poisoning and unnecessary spoiling of the food.
- Meat, fish, etc. should be store in the chiller compartment of the food, and the vegetable compartment is preferred for vegetables. (if available)
- To prevent cross contamination, meat products and fruit vegetables are not stored together.
- Foods should be placed in the refrigerator in closed containers or covered to prevent moisture and odors.

Some recommendations have been specified below for the placement and storage of your food in the cooling compartment.

NOTE: Potatoes, onions and garlic should not be stored in the refrigerator.

Food	Maximum Storing time	Where to place in the fridge department
Vegetables and fruits	1 week	Vegetable bin
Meat and fish	2 - 3 Days	Wrapped in plastic foil or bags or in a meat container (on the glass shelf)
Fresh cheese	3 - 4 Days	In special door shelf
Butter and margarine	1 week	In special door shelf
Bottled products milk and yoghurt	Until the expiry date recommended by the producer	In special door shelf
Eggs	1 month	In the egg shelf
Cooked food		All shelves

Freezer compartment

- Please use the deep freeze compartment of your refrigerator for storing the frozen food for a long time and for producing ice.
- **To get maximum capacity for freezer compartment, please just use glass shelves for upper and middle section. For bottom section, please use lower basket.**
- Please do not place the food you shall newly freeze nearby the already frozen food.
- You should freeze the food to be frozen (meat, minced meat, fish, etc.) by dividing them into portions in such a way that they can be consumed once.
- Please do not refreeze the frozen food once they are thawed. It may pose a danger for your health since it might cause problems such as food poisoning.
- Do not place the hot meals in your deep freeze before they become cold. You would cause the other food frozen beforehand in the deep freeze to become putrefied.
- When you buy frozen food, makes sure that they were frozen under appropriate conditions and the package is not torn.
- While storing the frozen food, the storage conditions on the package should certainly be observed. If there is not any explanation, the food must be consumed within the shortest time possible.
- If there had been humidification in the frozen food package and it has a foul smell, the food might have been stored under unsuitable conditions previously and gone rotten. Do not purchase this type of foods!
- The storage durations of frozen food change depending on the ambient temperature, the frequent opening and closing of the doors, thermostat settings, food type and the time elapsed from the purchase time of the food to the time it is placed into the freezer. Always abide by the instructions on the package and never exceed the indicated storage duration.
- During long lasting power failures, please do not open the door of the deep freeze compartment. This value will decrease under higher ambient temperatures. During longer power failures, do not refreeze your food and consume them as soon as possible.

Not that; if you want to open again immediately after closing the freezer door, it will not be opened easily. It's quite normal! After reaching equilibrium condition, the door will be opened easily.

Important note:

- *Frozen foods, when thawed, should be cooked just like fresh foods. If they are not cooked after being thawed they must NEVER be re-frozen.*
- The taste of some spices found in cooked dishes (anise, basilica, watercress, vinegar, assorted spices, ginger, garlic, onion, mustard, thyme, marjoram, black pepper, etc.) changes and they assume a strong taste when they are stored for a long period. Therefore, the frozen food should be added little amount of spices or the desired spice should be added after the food has been thawed.

ARRANGING FOOD IN THE APPLIANCE

- The storage period of food is dependent on the oil used. The suitable oils are margarine, calf fat, olive oil and butter and the unsuitable oils are peanut oil and pig fat.
- The food in liquid form should be frozen in plastic cups and the other food should be frozen in plastic folios or bags.

Some recommendations have been specified on pages 26, 27 and 28 for the placement and storage of your food in the deep freeze compartment.

Meat and fish	Preparation	Maximum Storing time (month)
Steak	Wrapping in a foil	6 - 8
Lamb meat	Wrapping in a foil	6 - 8
Veal roast	Wrapping in a foil	6 - 8
Veal cubes	In small pieces	6 - 8
Lamb cubes	In pieces	4 - 8
Minced meat	In packages without using spices	1 - 3
Giblets (pieces)	In pieces	1 - 3
Bologna sausage/salami	Should be packaged even if it has membrane	
Chicken and turkey	Wrapping in a foil	4 - 6
Goose and Duck	Wrapping in a foil	4 - 6
Deer, Rabbit, Wild Boar	In 2.5 kg portions and as fillets	6 - 8
Freshwater fishes (Salmon, Carp, Crane, Siluroidea)	After cleaning the bowels and scales of the fish, wash and dry it; and if necessary, cut the tail and head.	2
Lean fish; bass, turbot, flounder		4
Fatty fishes (Tunny, Mackarel, bluefish, anchovy)		2 - 4
Shellfish	Cleaned and in bags	4 - 6
Caviar	In its package, aluminium or plastic container	2 - 3
Snail	In salty water, aluminum or plastic container	3

Note: Frozen meat should be cooked as fresh meat after being thawed. If the meat is not cooked after being thawed, it should never be frozen again.

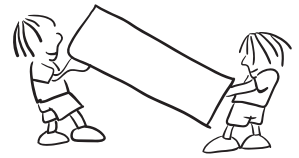
Vegetables and Fruits	Preparation	Maximum Storing time (months)
String beans and beans	Wash and cut to small pieces and boil in water	10 - 13
Beans	Hull and wash and boil in water	12
Cabbage	Cleaned and boil in water	6 - 8
Carrot	Clean and cut to slices and boil in water	12
Pepper	Cut the stem, cut into two pieces and remove the core and boil in water	8 - 10
Spinach	Washed and boil in water	6 - 9
Cauliflower	Take the leaves apart, cut the heart into pieces, and leave it in water with a little lemon juice for a while	10 - 12
Eggplant	Cut to pieces of 2cm after washing	10 - 12
Corn	Clean and pack with its stem or as sweet corn	12
Apple and pear	Peel and slice	8 - 10
Apricot and Peach	Cut into two pieces and remove the stone	4 - 6
Strawberry and Blackberry	Wash and hull	8 - 12
Cooked fruits	Adding 10 % of sugar in the container	12
Plum, cherry, sourberry	Wash and hull the stems	8 - 12

Dairy Products	Preparation	Maximum Storing time (months)	Storing Conditions
Packet (Homogenize) Milk	In its own packet	2 - 3	Pure Milk – In its own packet
Cheese-excluding white cheese	In slices	6 - 8	Original package may be used for short storing period. It should be wrapped in foil for longer periods.
Butter, margarine	In its package	6	

	Maximum Storing time (months)	Thawing time in room temperature (hours)	Thawing time in oven (minutes)
Bread	4 - 6	2 - 3	4-5 (220-225 °C)
Biscuits	3 - 6	1 - 1,5	5-8 (190-200 °C)
Pastry	1 - 3	2 - 3	5-10 (200-225 °C)
Pie	1 - 1,5	3 - 4	5-8 (190-200 °C)
Phyllo dough	2 - 3	1 - 1,5	5-8 (190-200 °C)
Pizza	2 - 3	2 - 4	15-20 (200 °C)

Transportation and Changing of Installation Position

- The original packages and foamed polystyrene (PS) can be retained if required.
- During transportation, the appliance should be secured with a wide string or a strong rope. The instructions written on the corrugated box must be followed while transporting.
- Before transporting or changing the installation position, all the moving objects (ie,shelves,crisper...) should be taken out or fixed with bands in order to prevent them from getting damaged.



Repositioning the door

- It is not possible to change the opening direction of your refrigerator door, if the door handle on your refrigerator is installed from the front surface of the door.
- It is possible to change the opening direction of the door on models without any handles.
- If the door opening direction of your refrigerator may be changed, you should contact the nearest Authorised Service Agent to have the opening direction changed.

BEFORE CALLING YOUR AFTER SALES SERVICE**Check Warnings;**

Your fridge warns you if the temperatures for the cooler and freezer are at improper levels or when a problem occurs with the appliance. Warning codes are displayed in the Freezer and Cooler Indicators.

ERROR TYPE	ERROR TYPE	WHY	WHAT TO DO
SR	"Failure Warning"	There is/are some part(s) Out of order or there is a failure in cooling process	Call a service agent for assistance as soon as possible.
LF	Freezer comp. Not Cold enough	This caution will be seen especially after long term power failure	<ol style="list-style-type: none"> 1. Use food in short time period. Do not freeze foods that has thawed. 2. Set the freezer temperature to colder values or set the super freeze until the compartment gets to normal temperature. 3. Do not put fresh food in the appliance until the fault has cleared.
LC	"Refrigerator comp. Not Cold enough"	Ideal temperature for Ref. Compartment is +4 °C. If you see this warning your foods are at risk of spoiling.	<ol style="list-style-type: none"> 1. Set the refrigerator temperature to colder values or set the super cooling mode until the compartment reaches normal temperature. 2. Open the door as little as possible until the fault clears.
LF and LC	"not cold enough Warning"	This is a combination of LF and LC Error type	You will see this failure when first starting the appliance. It will clear after the compartments reach normal temperature.
HC	Refrigerator comp. too Cold	The food starts to freeze because the temperature is too cold	<ol style="list-style-type: none"> 1. Check if the "Super cooling mode" is on 2. Decrease the refrigerator temperature values

LOPO	"Low voltage Warning"	This is seen when the power supply gets lower than 170 V.	This not a failure. This prevents any damage to the compressor. This warning will clear after the voltage reaches the required level.
------	-----------------------	---	---

If your fridge is not operating;

- Is there a power failure?
- Is the plug connected to the socket correctly?
- Is the fuse of the socket to which the plug is connected or the main fuse blown?
- Is there any failure at the socket? To check this, plug your refrigerator to a socket this is surely operating.

If your fridge is not cooling enough;

- Is the temperature adjustment right?
- Is the door of your fridge opened frequently and left open for a long while?
- Is the door of fridge closed properly?
- Did you put a dish or food on your fridge so that it contacts the rear wall of your fridge so as to prevent the air circulation?
- Is your fridge filled excessively?
- Is there adequate distance between your fridge and the rear and side walls?
- Is the ambient temperature within the range of values specified in the operating manual?

If the food in your refrigerator compartment is over cooled

- Is the temperature adjustment right?
- Are there many food recently put inside the freezer compartment? If so, your fridge may over cool the food inside the refrigerator compartment as it will operate longer to cool these food.

If your fridge is operating too loudly;

To maintain the set cooling level, compressor may be activated from time to time. Noises from your fridge at this time are normal and due to its function. When the required cooling level is reached, noises will be decreased automatically. If the noises persist;

- Is your appliance stable? Are the legs adjusted?
- Is there anything behind your fridge?
- Are the shelves or dishes on the shelves vibrating? Re-place the shelves and/or dishes if this is the case.
- Are the items placed on your fridge vibrating?

Normal Noises;**Cracking (Ice cracking) Noise:**

- During automatic defrosting.
- When the appliance is cooled or warmed (due to expansion of appliance material).

Short cracking: Heard when the thermostat switches the compressor on/off.

Compressor noise (Normal motor noise): This noise means that the compressor operates normally. Compressor may cause more noise for a short time when it is activated.

Bubbling noise and splash: This noise is caused by the flow of the refrigerant in the tubes of the system.

Water flow noise: Normal flow noise of water flowing to the evaporation container during defrosting. This noise can be heard during defrosting.

Air Blowing Noise (Normal fan noise): This noise can be heard in No-Frost fridge during normal operation of the system due to the circulation of air.

If humidity builds up inside the fridge;

- Are all food packed properly? Are the containers dried before placing them in the fridge?
- Are the fridge doors opened frequently? Humidity of the room gets in the fridge when the doors are opened. Humidity build up will be faster when you open the doors more frequently, especially if the humidity of the room is high.

If the doors are not opened and closed properly;

- Do the food packages prevent closing of the door?
- Are the door compartments, shelves and drawers placed properly?
- Are door gaskets broken or torn?
- Is your fridge on a level surface?

If the edges of fridge cabinet that the door joint contact are warm;

Especially in summer (hot weather), the surfaces that the joint contact may get warmer during the operation of the compressor, this is normal.

IMPORTANT NOTES:

- Compressor protection function will be activated after sudden power breakdowns or after unplugging the appliance, because the gas in the cooling system is not stabilized yet. Your fridge will start after 5 minutes, there is nothing to worry about.
- If you will not use your fridge for a long time (e.g. in summer holidays) unplug it. Clean your fridge according to Part 4 and leave the door open to prevent humidity and smell.
- If the problem persists after you have followed all the instructions above, please consult to the nearest authorized service.
- The appliance you bought is designed for home type use and can be used

only at home and for the stated purposes. It is not suitable for commercial or common use. If the consumer use the appliance in a way that does not comply with these features, we emphasize that the producer and the dealer shall not be responsible for any repair and failure within the guarantee period.

TIPS FOR SAVING ENERGY

1. Install the appliance in a cool, well ventilated room , but not in direct sunlight and not near a heat source (radiator, cooker.. etc). Otherwise use an insulating plate.
2. Allow warm food and drinks to cool down outside the appliance.
3. When thawing frozen food, place it in the refrigerator compartment. The low temperature of the frozen food will help to cool the refrigerator compartment when it is thawing. This will help to save energy. If the frozen food is put out, it results in a waste of energy.
4. Cover drinks or other liquids when placing them in the appliance Otherwise humidity increases in the appliance. Therefore, the working time gets longer. Also covering drinks and other liquids helps to preserve smell and taste.
5. Try to avoid keeping the doors open for long periods or opening the doors too frequently as warm air will enter the cabinet and cause the compressor to switch on unnecessarily often.
6. Keep the covers of the different temperature compartments (crisper, chiller ...etc) closed
7. Door gasket must be clean and pliable. Replace gaskets if worn.

The technical information is situated in the rating plate on the internal side of the appliance and on the energy label.

The QR code on the energy label supplied with the appliance provides a web link to the information related to the performance of the appliance in the EU EPREL database.

Keep the energy label for reference together with the user manual and all other documents provided with this appliance.

It is also possible to find the same information in EPREL using the link <https://eprel.ec.europa.eu> and the model name and product number that you find on the rating plate of the appliance.

See the link www.theenergylabel.eu for detailed information about the energy label.

INFORMATION FOR TEST INSTITUTES

Installation and preparation of the appliance for any EcoDesign verification shall be compliant with EN 62552. Ventilation requirements, recess dimensions and minimum rear clearances shall be as stated in this User Manual at PART 7. Please contact the manufacturer for any other further information, including loading plans.

CUSTOMER CARE AND SERVICE

Always use original spare parts.

When contacting our Authorised Service Centre, ensure that you have the following data available: Model, Serial Number and Service Index.

The information can be found on the rating plate. Subject to change without notice.

The original spare parts for some specific components are available for a minimum of 7 or 10 years, based on the type of component, from the placing on the market of the last unit of the model.

Visit our website to:
www.morris.gr

DECLARATION OF CONFORMITY

Herewith, we state that this product, complies with the requirements of below directives

EMC-Directive: 14 / 30 / EU

Low Voltage Directive: 14/ 35 / EU

ErP Directive 09 / 125 / EC

CE Marking: 93 / 68 / EEC

RoHS Directive: 11 / 65 / EU & Delegated Directive (EU) 15 / 863

The detailed declaration of conformity can be found at www.morris.gr



Περιεχόμενα

ΠΡΙΝ ΤΗ ΧΡΗΣΗ ΤΗΣ ΣΥΣΚΕΥΗΣ	43
Γενικές προειδοποιήσεις	43
Προειδοποιήσεις ασφαλείας	47
Εγκατάσταση και λειτουργία του ψυγείου σας	48
Πριν χρησιμοποιήσετε το ψυγείο σας	49
Πληροφορίες σχετικά με την ψυκτική τεχνολογία νέας γενιάς....	50
ΤΑ ΜΕΡΗ ΤΗΣ ΣΥΣΚΕΥΗΣ ΚΑΙ ΤΑ ΔΙΑΜΕΡΙΣΜΑΤΑ ΤΗΣ	51
Dimensions	53
ΟΙ ΔΙΑΦΟΡΕΣ ΛΕΙΤΟΥΡΓΙΕΣ ΚΑΙ ΔΥΝΑΤΟΤΗΤΕΣ	54
Πίνακας ενδείξεων και ελέγχου	54
Λειτουργία του ψυγείου	55
Λειτουργία Ταχείας κατάψυξης	55
Λειτουργία Ταχείας ψύξη	55
Λειτουργία Οικονομίας	55
Λειτουργία Διακοπών	56
Λειτουργία Ψύξης ποτών	57
Λειτουργία Προφύλαξης οθόνης	
Λειτουργία Προφύλαξης οθόνης	57
Λειτουργία Κλειδώματος προστασίας	58
Λειτουργία Απενεργοποίησης φωτισμού	58
Ρυθμίσεις θερμοκρασίας συντήρησης	59
Ρυθμίσεις θερμοκρασίας κατάψυξης	59
Προειδοποιήσεις σχετικά με τις ρυθμίσεις θερμοκρασίας	60
Εξαρτήματα	61
Συρτάρι κατάψυξης	61
Συρτάρι chiller (ψυχρότερης συντήρησης)	61
Ελεγκτής υγρασίας	61
Ράφι πόρτας Adapti-Lift	62
Adapti-shelf	62
Natural Ion Tech / Ιονιστής	63
Maxi-fresh preserver	63

ΚΑΘΑΡΙΣΜΟΣ ΚΑΙ ΣΥΝΤΗΡΗΣΗ	64
Απόψυξη.....	65
Αντικατάσταση λαμπτήρα LED	65
ΤΑΚΤΟΠΟΙΗΣΗ ΤΩΝ ΤΡΟΦΙΜΩΝ ΜΕΣΑ ΣΤΗ ΣΥΣΚΕΥΗ	66
Θάλαμος συντήρησης.....	66
ΤΑΚΤΟΠΟΙΗΣΗ ΤΩΝ ΤΡΟΦΙΜΩΝ ΜΕΣΑ ΣΤΗ ΣΥΣΚΕΥΗ	68
Θάλαμος ψύξης	68
ΜΕΤΑΦΟΡΑ ΚΑΙ ΑΛΛΑΓΗ ΘΕΣΗΣ.....	73
Αλλαγή θέσης της πόρτας.....	73
ΠΡΙΝ ΚΑΛΕΣΕΤΕ ΤΗΝ ΕΞΥΠΗΡΕΤΗΣΗ ΠΕΛΑΤΩΝ.....	74
ΠΡΑΚΤΙΚΕΣ ΣΥΜΒΟΥΛΕΣ ΓΙΑ ΕΞΟΙΚΟΝΟΜΗΣΗ	
ΕΝΕΡΓΕΙΑΣ.....	78
ΤΕΧΝΙΚΑ ΧΑΡΑΚΤΗΡΙΣΤΙΚΑ.....	79
ΠΛΗΡΟΦΟΡΙΕΣ ΓΙΑ ΙΝΣΤΙΤΟΥΤΑ ΔΟΚΙΜΩΝ.....	79


Γενικές προειδοποιήσεις


 **ΠΡΟΕΙΔΟΠΟΙΗΣΗ:** Φροντίστε ώστε τα ανοίγματα αερισμού του ψυγείοκαταψύκτη να μην φράσσονται ή παρεμποδίζονται από οτιδήποτε.


 **ΠΡΟΕΙΔΟΠΟΙΗΣΗ:** Μη χρησιμοποιείτε μηχανικά ή άλλα μέσα για να επιταχύνετε τη διαδικασία απόψυξης.


 **ΠΡΟΕΙΔΟΠΟΙΗΣΗ:** Μη χρησιμοποιείτε άλλες ηλεκτρικές συσκευές μέσα στον ψυγείοκαταψύκτη.

 **ΠΡΟΕΙΔΟΠΟΙΗΣΗ:** Μην προκαλείτε ζημιά στο ψυκτικό κύκλωμα.

 **ΠΡΟΕΙΔΟΠΟΙΗΣΗ:** Κατά την τοποθέτηση της συσκευής, βεβαιωθείτε ότι δεν θα παγιδευτεί ή υποστεί ζημιά το καλώδιο ρεύματος.

 **ΠΡΟΕΙΔΟΠΟΙΗΣΗ:** Μην τοποθετείτε φορητά πολύπριζα ή φορητά τροφοδοτικά στο πίσω μέρος της συσκευής.

 **ΠΡΟΕΙΔΟΠΟΙΗΣΗ:** Για την αποφυγή ατομικού τραυματισμού ή ζημιάς, η συσκευή αυτή πρέπει να εγκαθίσταται σύμφωνα με τις οδηγίες του κατασκευαστή.

 Σε αυτόν τον ψυγείοκαταψύκτη χρησιμοποιείται μικρή ποσότητα ψυκτικού μέσου R600a (ισοβουτένιο) που είναι φιλικό προς το περιβάλλον, καθώς επίσης εύφλεκτο και εκρηκτικό εφόσον αναφλεγεί σε περιορισμένο χώρο.

- Κατά τη μεταφορά και τοποθέτηση του ψυγείου, μην προκαλείτε ζημιά στο κύκλωμα του ψυκτικού αερίου.
- Μην αποθηκεύετε δοχεία με εύφλεκτα υλικά, όπως σπρέι ή δοχεία αναγόμωσης πυροσβεστήρα κοντά στον ψυγείοκαταψύκτη.

- Η συσκευή αυτή προορίζεται για οικιακή χρήση και παρόμοιες εφαρμογές, όπως:
- σε χώρους κουζίνας προσωπικού σε καταστήματα, γραφεία και άλλου είδους περιβάλλον εργασίας
- σε αγροκτήματα και για χρήση από πελάτες ξενοδοχείων, μοτέλ και άλλου είδους περιβάλλον κατοίκησης
- σε χώρους ξενώνων·
- σε υπηρεσίες τροφοδοσίας και παρόμοιες εφαρμογές που δεν σχετίζονται με λιανική πώληση
- Ο ψυγείοκαταψύκτης απαιτεί παροχή ρεύματος 220-240V, 50Hz. Μη χρησιμοποιείτε άλλη παροχή ρεύματος. Πριν συνδέσετε τον ψυγείοκαταψύκτη, βεβαιωθείτε πως οι πληροφορίες της πινακίδας χαρακτηριστικών (τάση και φορτίο σύνδεσης) αντιστοιχούν στην παροχή ρεύματος. Σε περίπτωση αμφιβολίας, συμβουλευτείτε έναν εξουσιοδοτημένο ηλεκτρολόγο)
- Η συσκευή αυτή μπορεί να χρησιμοποιηθεί από παιδιά ηλικίας άνω των 8 ετών και από άτομα με μειωμένες σωματικές, αισθητηριακές και διανοητικές ικανότητες, ή από άτομα χωρίς εμπειρία και γνώση, εφόσον τους παρέχεται επίβλεψη ή καθοδήγηση σχετικά με την ασφαλή χρήση της συσκευής και εφόσον κατανοούν τον κίνδυνο που περιλαμβάνεται. Τα παιδιά δεν πρέπει να παίζουν με τη συσκευή. Οι εργασίες καθαρισμού και συντήρησης δεν πρέπει να

πραγματοποιούνται από παιδιά χωρίς επίβλεψη.

- Παιδιά ηλικίας από 3 έως 8 ετών επιτρέπεται να τοποθετούν και να αφαιρούν τρόφιμα από οικιακές ψυκτικές συσκευές. Τα παιδιά δεν αναμένεται να πραγματοποιούν καθαρισμό ή συντήρηση από τον χρήστη της οικιακής συσκευής, τα πολύ μικρά παιδιά (ηλικίας 0-3 ετών) δεν αναμένεται να χρησιμοποιούν οικιακές συσκευές, τα μικρά παιδιά (3-8 ετών) δεν αναμένεται να χρησιμοποιούν οικιακές συσκευές με ασφάλεια εκτός αν τους παρέχεται διαρκής επίβλεψη, τα μεγαλύτερα παιδιά (8-14 ετών) και ευπαθή άτομα μπορούν να χρησιμοποιούν οικιακές συσκευές με ασφάλεια αφού τους έχει δοθεί επαρκής επίβλεψη ή καθοδήγηση σχετικά με τη χρήση της οικιακής συσκευής. Τα πολύ ευπαθή άτομα δεν αναμένεται να χρησιμοποιούν τη συσκευή με ασφάλεια εκτός αν τους παρέχεται διαρκής επίβλεψη.
- Τυχόν ζημιά στο καλώδιο / βύσμα παροχής μπορεί να προκαλέσει φωτιά ή ηλεκτροπληξία. Εφόσον υποστεί ζημιά, πρέπει να αντικατασταθεί μόνο από εξουσιοδοτημένο τεχνικό.
- Αυτή η συσκευή δεν προορίζεται για χρήση σε υψόμετρο μεγαλύτερο των 2000 μέτρων.

Για την αποφυγή αλλοίωσης των τροφίμων, παρακαλούμε να τηρείτε τις εξής οδηγίες:

- Το άνοιγμα της πόρτας για μεγάλα διαστήματα μπορεί να προκαλέσει σημαντική αύξηση της

θερμοκρασίας στους χώρους της συσκευής.

- Καθαρίζετε τακτικά τις επιφάνειες που έρχονται σε επαφή με τρόφιμα, καθώς και τα προσπελάσιμα συστήματα αποστράγγισης.
- Αποθηκεύετε νωπό κρέας και ψάρια στο ψυγείο μέσα σε κατάλληλους περιέκτες, ώστε να μην έρχονται σε επαφή με άλλα τρόφιμα ούτε να στάζουν πάνω σε άλλα τρόφιμα.
- Οι χώροι κατεψυγμένων τροφίμων με διαβάθμιση δύο αστέρων είναι κατάλληλοι για διατήρηση ήδη κατεψυγμένων τροφίμων, για διατήρηση ή παρασκευή παγωτού και για την παρασκευή παγοκύβων.
- Οι χώροι με διαβάθμιση ενός αστέρα και δύο ή τριών αστέρων δεν είναι κατάλληλοι για την κατάψυξη νωπών τροφίμων.
- Αν πρόκειται να αφήσετε την ψυκτική συσκευή κενή για μεγάλα χρονικά διαστήματα, απενεργοποιήστε την, πραγματοποιήστε απόψυξη, καθαρίστε την, στεγνώστε την και αφήστε την πόρτα ανοικτή για την αποτροπή ανάπτυξης μυκήτων μέσα στη συσκευή.

Ψυγεία παλιά και εκτός λειτουργίας

- Αν το παλιό ψυγείο σας διαθέτει κλειδαριά, χαλάστε ή αφαιρέστε την κλειδαριά πριν το πετάξετε, επειδή μπορεί να κλειδωθούν μέσα παιδιά και να προκληθεί ατύχημα.
- Τα παλιά ψυγεία και οι παλιοί καταψύκτες έχουν μονωτικό υλικό και ψυκτικό μέσο που περιέχουν CFC (χλωροφθοράνθρακες). Για το λόγο αυτό, προσέξτε να μην προκληθεί ζημιά στο περιβάλλον όταν πετάτε το παλιά σας ψυγείο.

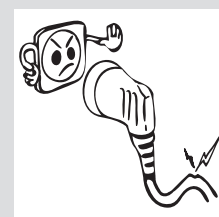
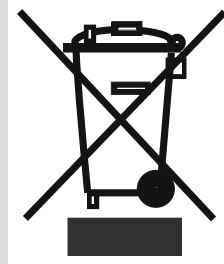
Ζητήστε από τη δημοτική σας αρχή πληροφορίες σχετικά με την απόρριψη των ΑΗΗΕ (αποβλήτων ηλεκτρικού και ηλεκτρονικού εξοπλισμού) για σκοπούς επαναχρησιμοποίησης, ανακύκλωσης και ανάκτησης.

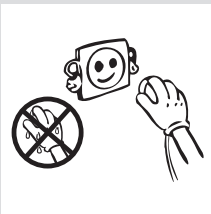
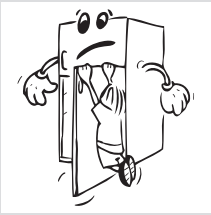
Σημειώσεις:

- Διαβάστε προσεκτικά το εγχειρίδιο οδηγιών πριν την εγκατάσταση και τη χρήση της συσκευής σας. Δεν είμαστε υπεύθυνοι για οποιαδήποτε ζημιά προκύψει λόγω κακής χρήσης.
- Ακολουθείτε όλες τις οδηγίες που αναφέρονται πάνω στη συσκευή σας και στο εγχειρίδιο οδηγιών και φυλάξτε το παρόν εγχειρίδιο σε ασφαλές μέρος για να σας βοηθήσει στην επίλυση των προβλημάτων που μπορεί να προκύψουν στο μέλλον.
- Η συσκευή αυτή έχει παραχθεί για οικιακή χρήση και μπορεί να χρησιμοποιηθεί μόνο σε οικιακό περιβάλλον και για τις προβλεπόμενες χρήσεις. Δεν είναι κατάλληλη για εμπορική ή κοινόχρηστη χρήση. Οποιαδήποτε τέτοια χρήση θα προκαλέσει ακύρωση της εγγύησης και η εταιρία μας δεν θα είναι υπεύθυνη για τυχόν ζημίες.
- Η συσκευή αυτή έχει παραχθεί για οικιακή χρήση και είναι κατάλληλη μόνο για ψύξη / διατήρηση τροφίμων. Δεν είναι κατάλληλη για εμπορική ή κοινόχρηστη χρήση και/ή για διατήρηση υλικών άλλων από τρόφιμα. Η εταιρία μας δεν είναι υπεύθυνη για οποιαδήποτε ζημιά προκύψει σε αντίθετη περίπτωση.

Προειδοποιήσεις ασφαλείας

- Μη χρησιμοποιείτε πολύπριζα ή καλώδιο επέκτασης.
- Μην συνδέετε τη συσκευή σε πρίζες που έχουν ζημιά ή είναι αποκολλημένες ή παλαιωμένες.
- Μην τραβάτε, λυγίζετε ή προξενείτε ζημιά στο καλώδιο





- Η συσκευή αυτή έχει σχεδιαστεί για χρήση από ενήλικες. Μην επιτρέπετε σε παιδιά να παίζουν με τη συσκευή ή να κρέμονται από την πόρτα.
- Μην συνδέετε ή αποσυνδέετε το φισ από την πρίζα με υγρά χέρια, για την αποφυγή ηλεκτροπληξίας!
- Μην τοποθετείτε στο θάλαμο κατάψυξης γυάλινα μπουκάλια ή αναψυκτικά σε μεταλλικά δοχεία. Τα μπουκάλια ή τα μεταλλικά δοχεία μπορεί να εκραγούν.
- Για λόγους ασφαλείας, μην τοποθετείτε μέσα στο ψυγείο σας εκρηκτικά ή εύφλεκτα υλικά. Τοποθετείτε τα ποτά με σχετικά υψηλό περιεχόμενο αλκοόλης σε όρθια θέση στο θάλαμο συντήρησης και με σφιχτά κλεισμένο το πώμα τους.
- Όταν αφαιρείτε πάγο από το θάλαμο κατάψυξης, μην τον αγγίζετε. Ο πάγος μπορεί να προκαλέσει κρουσπαγήματα και/ή αμυχές.
- Μην αγγίζετε κατεψυγμένα είδη με υγρά χέρια! Μην καταναλώνετε παγωτό και παγάκια αμέσως μόλις τα βγάλετε από το θάλαμο της κατάψυξης!
- Μην καταψύχετε πάλι τα τρόφιμα μετά την απόψυξή τους. Αυτό μπορεί να προκαλέσει προβλήματα υγείας, όπως τροφική δηλητηρίαση.
- Μην καλύπτετε με δαντέλες τον κορμό ή το πάνω μέρος του ψυγείου. Αυτό επηρεάζει την απόδοση του ψυγείου σας.
- Στερεώστε τα αξεσουάρ μέσα στο ψυγείο κατά τη μεταφορά, για να αποφύγετε ζημιές σε αυτά.

Εγκατάσταση και λειτουργία του ψυγείου σας

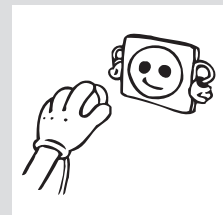
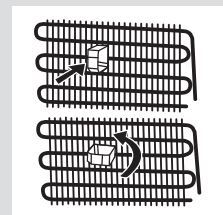
Πριν αρχίσετε να χρησιμοποιείτε το ψυγείο σας, θα πρέπει να προσέξετε τα εξής σημεία:

- Η τάση λειτουργίας του ψυγείου σας είναι 220-240 V στα 50 Hz.
- Δεν αναλαμβάνουμε καμία ευθύνη για βλάβες από χρήση χωρίς κατάλληλη γείωση.
- Τοποθετήστε το ψυγείο σας σε κατάλληλο σημείο όπου δεν θα είναι εκτεθειμένο σε άμεσο ηλιακό φως.
- Η συσκευή σας θα πρέπει να βρίσκεται τουλάχιστον 50 cm μακριά από σόμπες, φούρνους αερίου και σώματα θέρμανσης και τουλάχιστον 5 cm μακριά από ηλεκτρικούς φούρνους.
- Η συσκευή δεν πρέπει να χρησιμοποιείται σε υπαίθριο χώρο ή να εκτίθεται σε βροχή.
- Όταν το ψυγείο σας έχει τοποθετηθεί δίπλα σε συσκευή βαθιάς κατάψυξης, θα πρέπει να υπάρχουν τουλάχιστον 2 cm μεταξύ τους για να αποτραπεί σχηματισμός υγρασίας στην εξωτερική επιφάνεια.

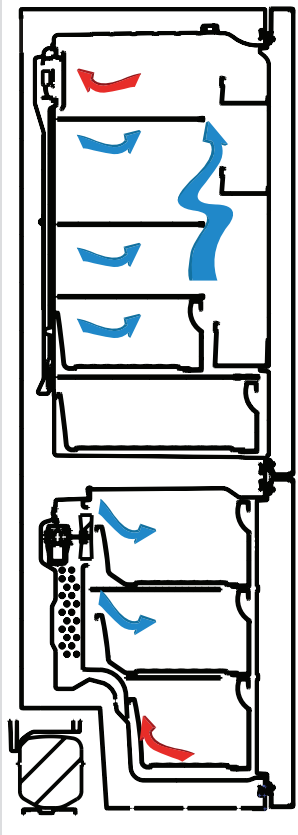
- Χρειάζεται διάκενο τουλάχιστον 150 mm πάνω από τη συσκευή σας. Μην τοποθετείτε τίποτα επάνω στη συσκευή σας.
- Μην τοποθετείτε βαριά αντικείμενα πάνω στη συσκευή.
- Τα ρυθμιζόμενα μπροστινά πόδια θα πρέπει να σταθεροποιηθούν σε κατάλληλο ύψος ώστε να μπορεί το ψυγείο σας να λειτουργεί με σταθερό και σωστό τρόπο. Μπορείτε να ρυθμίσετε τα πόδια περιστρέφοντάς τα αριστερόστροφα (ή στην αντίθετη κατεύθυνση). Αυτό θα πρέπει να γίνει πριν τοποθετήσετε τρόφιμα στο ψυγείο. Πριν χρησιμοποιήσετε το ψυγείο σας, σκουπίστε όλα τα εξαρτήματά του με χλιαρό νερό στο οποίο θα έχετε προσθέσει ένα κουταλάκι του γλυκού μαγειρική σόδα και κατόπιν ξεπλύνετε τα με καθαρό νερό και σκουπίστε τα. Μετά τον καθαρισμό επανατοποθετήστε όλα τα εξαρτήματα.
- Τοποθετήστε τον πλαστικό ρυθμιστή απόστασης (το εξάρτημα με μαύρα πτερύγια στο πίσω μέρος) περιστρέφοντάς τον 90° όπως δείχνει η εικόνα, για να εμποδίσετε να έρχεται ο συμπυκνωτής σε επαφή με τον τοίχο.
- Το ψυγείο θα πρέπει να τοποθετείται σε έναν τοίχο ώστε η απόσταση μεταξύ τους να μην υπερβαίνει τα 75 χιλ.

Πριν χρησιμοποιήσετε το ψυγείο σας

- Όταν το ψυγείο χρησιμοποιείται για πρώτη φορά ή μετά από μεταφορά του, διατηρήστε το πρώτα στην όρθια θέση για 3 ώρες και μετά συνδέστε το στην πρίζα, ώστε να εξασφαλίσετε αποδοτική λειτουργία. Αλλιώς μπορεί να προξενήσετε ζημιά στο συμπιεστή.
- Το ψυγείο σας μπορεί να παρουσιάσει κάποια οσμή όταν χρησιμοποιηθεί για πρώτη φορά, αλλά αυτή θα φύγει σταδιακά καθώς αρχίζει να ψύχεται το ψυγείο.



Πληροφορίες σχετικά με την ψυκτική τεχνολογία νέας γενιάς



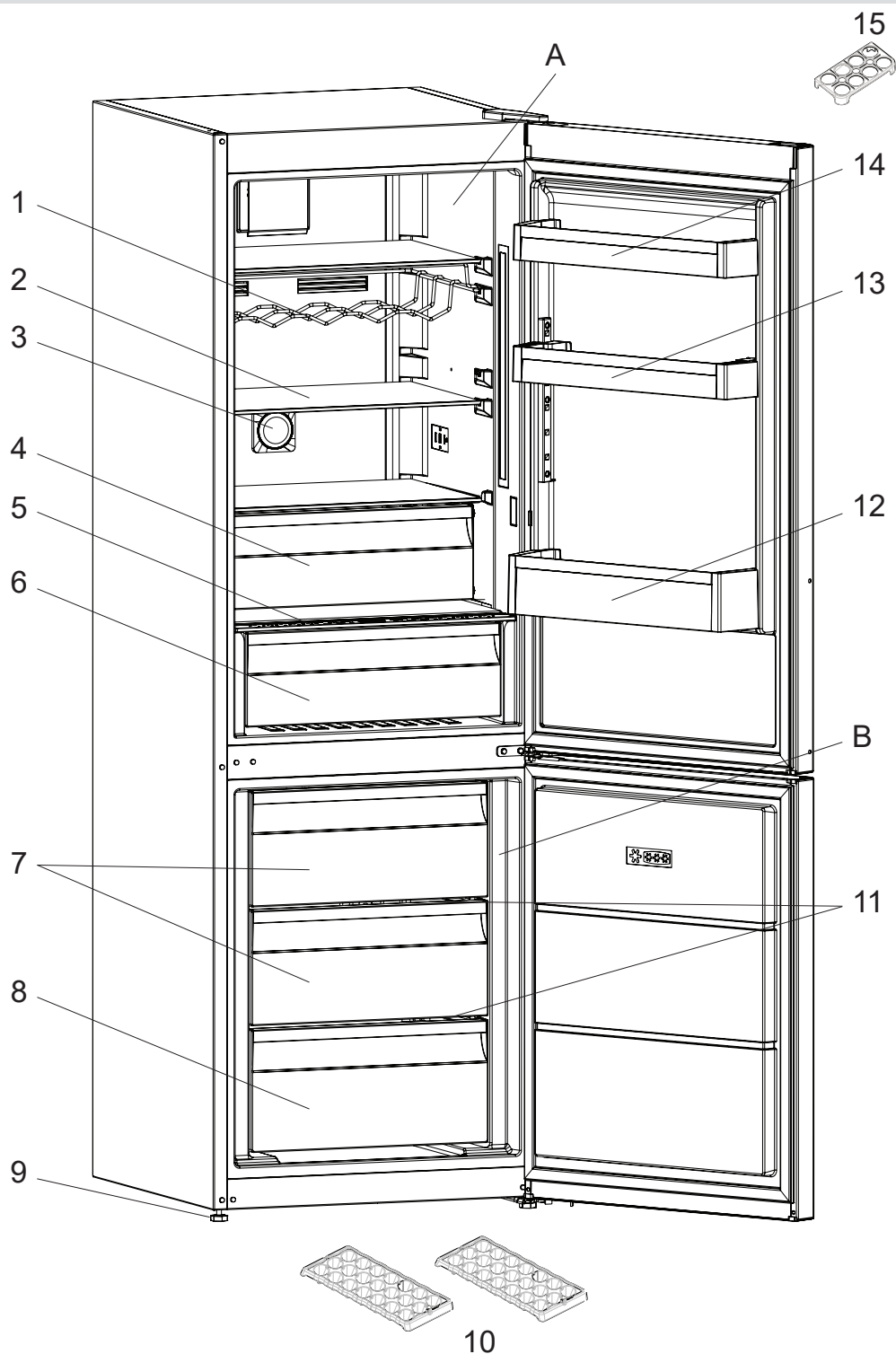
Οι ψυγείοκαταψύκτες με ψυκτική τεχνολογία νέας γενιάς έχουν διαφορετικό σύστημα λειτουργίας από τους στατικούς ψυγείοκαταψύκτες. Στους συνηθισμένους ψυγείοκαταψύκτες, ο υγρός αέρας που εισέρχεται στον καταψύκτη και η υγρασία που εκπέμπεται από τα τρόφιμα, μετατρέπεται σε πάγο στο θάλαμο ψύξης. Για να λιώσει αυτός ο πάγος, δηλαδή για απόψυξη, το ψυγείο πρέπει να αποσυνδεθεί από την πρίζα. Προκειμένου να διατηρηθούν τα τρόφιμα ψυχρά κατά τη διάρκεια της απόψυξης, ο χρήστης πρέπει να τα αποθηκεύσει κάπου αλλού και να καθαρίσει τον πάγο που απομένει και τη συσσωρευμένη πάχνη.

Η κατάσταση είναι εντελώς διαφορετική στα διαμερίσματα καταψύκτη που διαθέτουν ψυκτική τεχνολογία νέας γενιάς. Με τη βοήθεια ενός ανεμιστήρα, ψυχρός και ξηρός αέρας κυκλοφορεί σε ολόκληρο το θάλαμο ψύξης. Λόγω του ψυχρού αέρα που κυκλοφορεί άνετα σε ολόκληρο το θάλαμο – ακόμα και στο χώρο ανάμεσα στα ράφια – τα τρόφιμα καταψύχονται ομοιόμορφα και σωστά. Με αυτό τον τρόπο δεν σχηματίζεται πάχνη.

Η διαμόρφωση στο θάλαμο συντήρησης είναι σχεδόν ίδια όπως και στο θάλαμο ψύξης. Ο αέρας που εκπέμπεται από τον ανεμιστήρα που βρίσκεται στην κορυφή του διαμερίσματος συντήρησης ψύχεται περνώντας από το κενό πίσω από τον αεραγωγό. Ταυτόχρονα, εξέρχεται αέρας από τις οπές του αεραγωγού, με αποτέλεσμα να ολοκληρώνεται η ψυκτική διαδικασία με επιτυχία μέσα στο θάλαμο συντήρησης. Οι οπές του αεραγωγού έχουν σχεδιαστεί για ομοιόμορφη κατανομή του αέρα σε ολόκληρο το θάλαμο.

Εφόσον δεν διέρχεται αέρας μεταξύ του διαμερίσματος κατάψυξης και συντήρησης, δεν αναμιγνύονται οι οσμές.

Κατά συνέπεια, το ψυγείο με ψυκτική τεχνολογία νέας γενιάς παρέχει ευκολία στη χρήση, καθώς και μεγάλο όγκο θαλάμων και αισθητικά άρτια εμφάνιση.



Διαμέρισμα Νωπών Τροφίμων (Συντήρηση): Η πιο αποτελεσματική χρήση ενέργειας διασφαλίζεται στη διαμόρφωση με τα συρτάρια στο κάτω μέρος της συσκευής, και τα ράφια ομοιόμορφα κατανομημένα, ενώ η θέση των θηκών της πόρτας δεν επηρεάζει την κατανάλωση ενέργειας.

Διαμέρισμα κατάψυξης (Κατάψυξη): Η πιο αποτελεσματική χρήση ενέργειας εξασφαλίζεται στη διαμόρφωση με τα συρτάρια και τους κάδους στη θέση παράδοσης.

Αυτή η παρουσίαση των μερών της συσκευής είναι μόνο πληροφοριακή. Τα μέρη μπορεί να διαφέρουν ανάλογα με το μοντέλο της συσκευής.

A) Συντήρηση

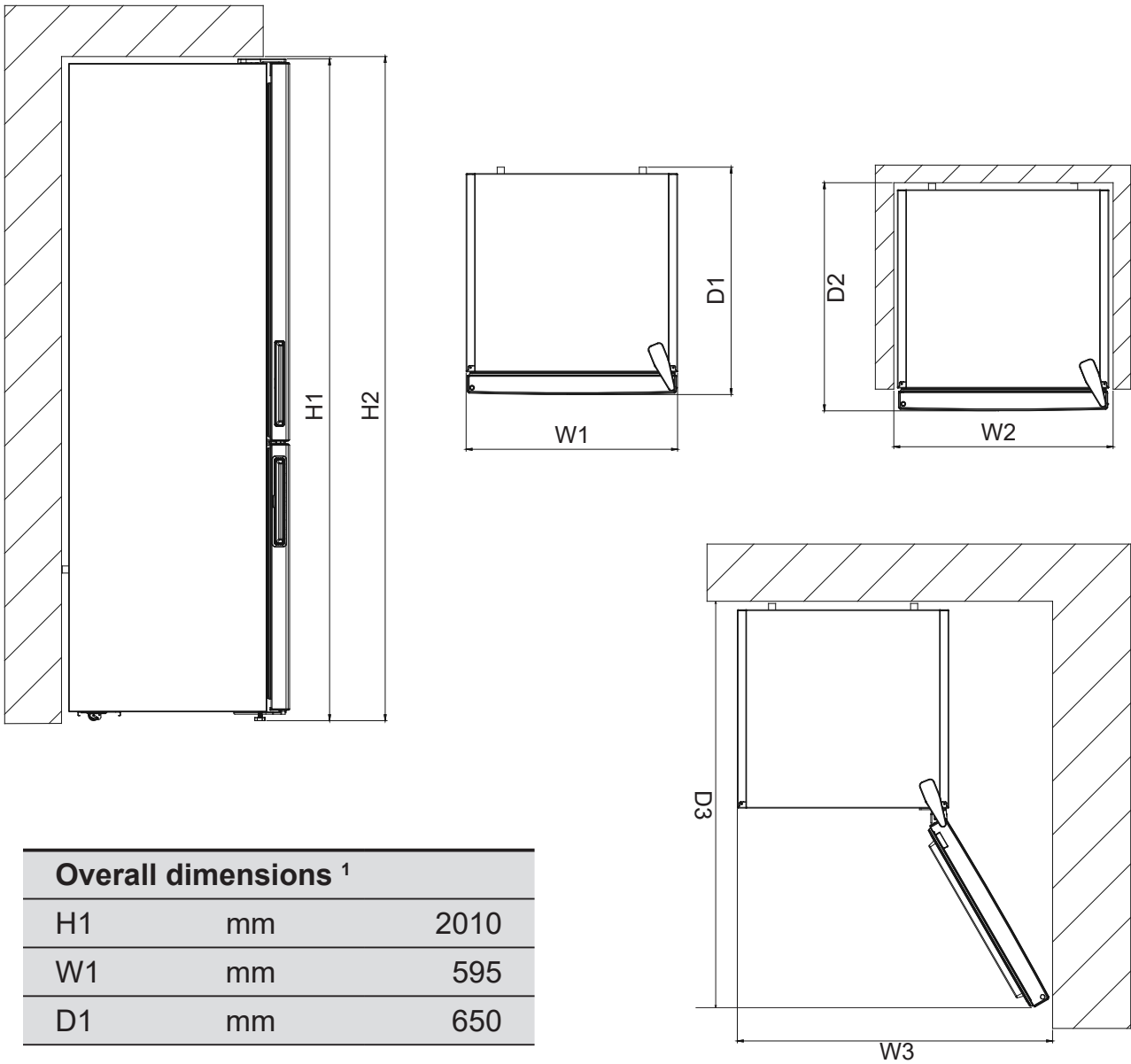
B) Καταψυξη

- 1) Σχάρα κρασιών *
- 2) Ράφια συντήρησης
- 3) Ιονιστής *
- 4) Θάλαμος Chiller *
- 5) Κάλυμμα δοχείου crispex (διατήρησης φρούτων - λαχανικών)
- 6) Δοχείο Crispex (διατήρηση φρούτων - λαχανικών)
- 7) Άνω καλάθι ψύξης
- 8) Κάτω καλάθι ψύξης
- 9) Πόδια ευθυγράμμισης
- 10) Παγοθήκη
- 11) Γυάλινο ράφι
- 12) Ράφι μπουκαλιών
- 13) Ρυθμιζόμενο ράφι πόρτας * / Άνω ράφι πόρτας
- 14) Άνω ράφι πόρτας
- 15) Αυγοθήκη

* Σε ορισμένα μοντέλα

Αυτή η παρουσίαση των μερών της συσκευής είναι μόνο πληροφοριακή. Τα μέρη μπορεί να διαφέρουν ανάλογα με το μοντέλο της συσκευής.

Dimensions



Overall dimensions ¹

H1	mm	2010
W1	mm	595
D1	mm	650

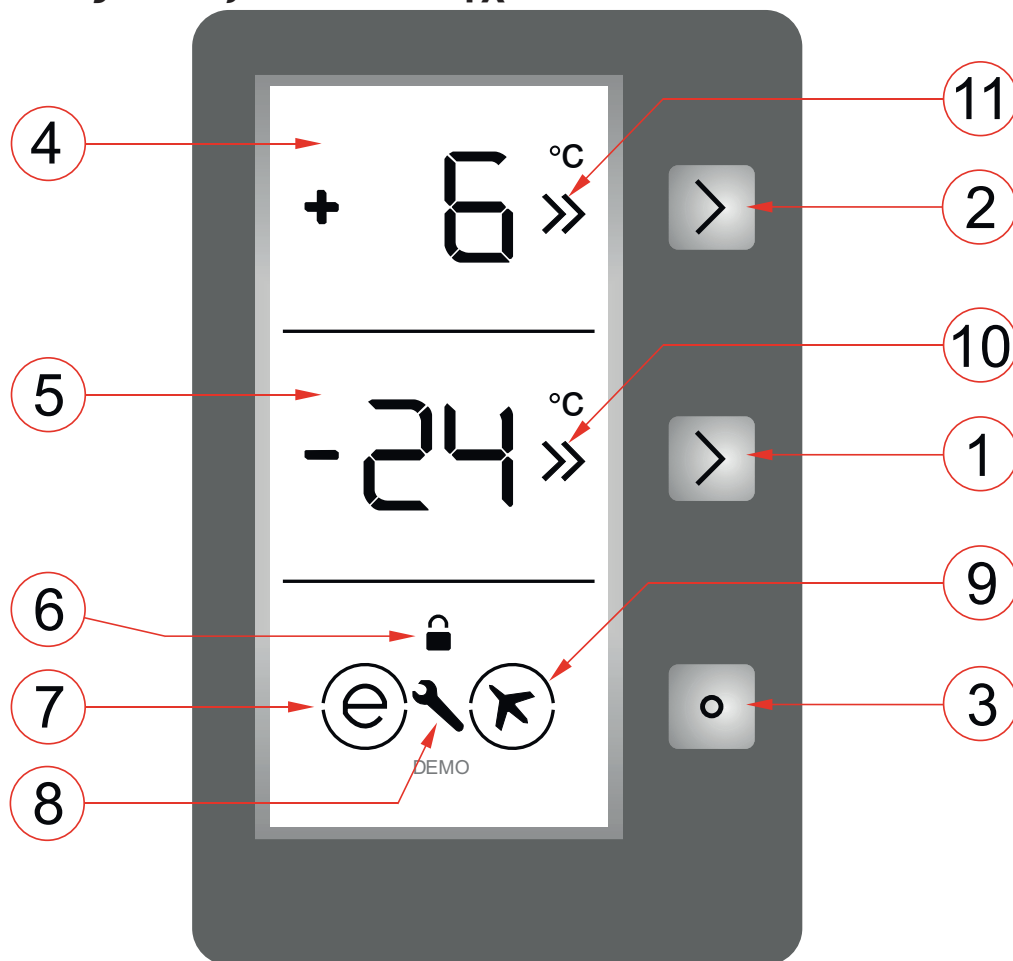
Space required in use ²

H2	mm	2060
W2	mm	595
D2	mm	688

Overall space required in use ³

W3	mm	877
D3	mm	1179

Πίνακας ενδείξεων και ελέγχου



Φωτισμός (αν διατίθεται)

Όταν το προϊόν συνδεθεί για πρώτη φορά στο ρεύμα, τα εσωτερικά φώτα μπορεί να ενεργοποιηθούν 1 λεπτό αργότερα λόγω ελέγχων εκκίνησης λειτουργίας.

Χρήση του πίνακα ελέγχου

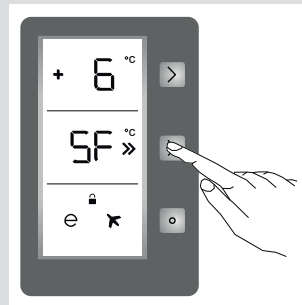
1. Επιτρέπει την τροποποίηση της τιμής ρύθμισης της κατάψυξης και την ενεργοποίηση της λειτουργίας ταχείας κατάψυξης όταν είναι επιθυμητό. Η κατάψυξη μπορεί να ρυθμιστεί σε -16, -18, -20, -22, -24 °C, SF (Ταχεία κατάψυξη).
2. Επιτρέπει την τροποποίηση της τιμής ρύθμισης της συντήρησης και την ενεργοποίηση της λειτουργίας ταχείας ψύξης όταν είναι επιθυμητό. Ο θάλαμος συντήρησης μπορεί να ρυθμιστεί σε 8, 6, 5, 4, 2 °C, SC (Ταχεία ψύξη).
3. Επιτρέπει να ενεργοποιηθούν οι λειτουργίες (οικονομίας, διακοπών...) όταν είναι επιθυμητό.
4. Είναι η ένδειξη της τιμής ρύθμισης της συντήρησης.
5. Είναι η ένδειξη της τιμής ρύθμισης της κατάψυξης.
6. Είναι το σύμβολο του κλειδώματος προστασίας.
7. Είναι το σύμβολο της λειτουργίας Οικονομίας.
8. Είναι το σύμβολο συναγερμού.
9. Είναι το σύμβολο της λειτουργίας Διακοπών.
10. Είναι η ένδειξη ταχείας κατάψυξης.
11. Είναι η ένδειξη ταχείας ψύξης.

Λειτουργία του ψυγείου

Λειτουργία Ταχείας κατάψυξης

Πως μπορώ να τη χρησιμοποιήσω;

- Πιέστε το κουμπί ρύθμισης κατάψυξης έως ότου στην οθόνη εμφανιστούν τα γράμματα SF. Ο βομβητής θα ηχήσει με διπλό σύντομο σήμα (μπιπ). Ο τρόπος λειτουργίας θα έχει ρυθμιστεί.
- Το τμήμα θερμοκρασίας κατάψυξης θα δείχνει "SF".



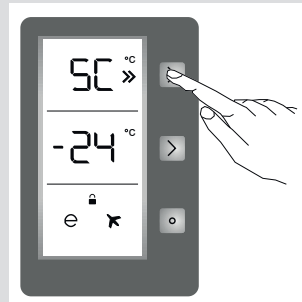
Σε αυτή τη λειτουργία:

- Μπορεί να ρυθμιστεί η θερμοκρασία ψύξης και η λειτουργία ταχείας ψύξης. Σε αυτή την περίπτωση η λειτουργία ταχείας κατάψυξης συνεχίζεται.
- Οι λειτουργίες Οικονομίας και Διακοπών δεν μπορούν να επιλεγούν.
- Η λειτουργία Ταχείας κατάψυξης μπορεί να ακυρωθεί με τον ίδιο χειρισμό που χρησιμοποιήθηκε για την επιλογή της.

Λειτουργία Ταχείας ψύξη

Πως μπορώ να τη χρησιμοποιήσω;

- Πιέστε το κουμπί ρύθμισης συντήρησης έως ότου στην οθόνη εμφανιστούν τα γράμματα SC. Ο βομβητής θα ηχήσει με διπλό σύντομο σήμα (μπιπ). Ο τρόπος λειτουργίας θα έχει ρυθμιστεί.
- Το τμήμα θερμοκρασίας συντήρησης θα δείχνει "SC".



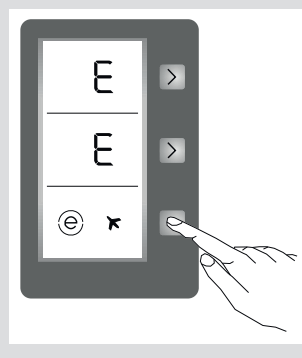
Σε αυτή τη λειτουργία:

- Μπορεί να ρυθμιστεί η θερμοκρασία της κατάψυξης και η λειτουργία ταχείας κατάψυξης. Σε αυτή την περίπτωση η λειτουργία ταχείας ψύξης συνεχίζεται.
- Οι λειτουργίες Οικονομίας και Διακοπών δεν μπορούν να επιλεγούν.
- Η λειτουργία ταχείας ψύξης μπορεί να ακυρωθεί με τον ίδιο χειρισμό όπως κατά την επιλογή της.

Λειτουργία Οικονομίας

Πως μπορώ να τη χρησιμοποιήσω;

- Πιέστε το "κουμπί τρόπου λειτουργίας" έως ότου εμφανιστεί ένας κύκλος γύρω από το σύμβολο της οικονομίας.
- Αν δεν πατηθεί κανένα κουμπί για 1 δευτερόλεπτο, η λειτουργία θα ρυθμιστεί. Ο κύκλος θα αναβοσβήσει 3 φορές. Όταν ρυθμιστεί η λειτουργία, ο βομβητής θα ηχήσει με διπλό σύντομο σήμα (μπιπ).



- Τα τμήματα θερμοκρασίας κατάψυξης και συντήρησης θα δείχνουν “E”.
- Ο κύκλος του συμβόλου οικονομίας και η ένδειξη E θα είναι αναμμένα μέχρι να ακυρωθεί η λειτουργία.

Σε αυτή τη λειτουργία:

- Μπορεί να ρυθμιστεί η κατάψυξη. Όταν ακυρωθεί η λειτουργία οικονομίας, θα ισχύουν οι επιλεγμένες τιμές ρύθμισης.
- Μπορεί να ρυθμιστεί η συντήρηση. Όταν ακυρωθεί η λειτουργία οικονομίας, θα ισχύουν οι επιλεγμένες τιμές ρύθμισης.
- Μπορούν να επιλεγούν οι λειτουργίες ταχείας ψύξης και ταχείας κατάψυξης. Η λειτουργία οικονομίας ακυρώνεται αυτόματα και ενεργοποιείται ο επιλεγμένος τρόπος λειτουργίας.
- Η λειτουργία διακοπών μπορεί να επιλεγεί μετά την ακύρωση της λειτουργίας οικονομίας. Κατόπιν ενεργοποιείται η επιλεγμένη λειτουργία.
- Για ακύρωση, χρειάζεται απλά να πατήσετε το κουμπί τρόπου λειτουργίας.

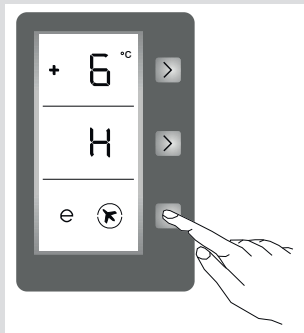
Λειτουργία Διακοπών

Πως μπορώ να τη χρησιμοποιήσω;

- Πιέστε το “κουμπί τρόπου λειτουργίας” έως ότου εμφανιστεί ένας κύκλος γύρω από το σύμβολο αεροπλάνου.
- Αν δεν πατηθεί κανένα κουμπί για 1 δευτερόλεπτο, η λειτουργία θα ρυθμιστεί. Ο κύκλος θα αναβοσβήσει 3 φορές. Όταν ρυθμιστεί η λειτουργία, ο βομβητής θα ηχήσει με διπλό σύντομο σήμα (μπιπ).
- Το τμήμα θερμοκρασίας κατάψυξης θα δείχνει “H”.
- Ο κύκλος του συμβόλου αεροπλάνου και η ένδειξη H θα είναι αναμμένα μέχρι να ολοκληρωθεί η λειτουργία.

Σε αυτή τη λειτουργία:

- Μπορεί να ρυθμιστεί η κατάψυξη. Όταν ακυρωθεί η λειτουργία διακοπών, θα ισχύουν οι επιλεγμένες τιμές ρύθμισης.
- Μπορεί να ρυθμιστεί η συντήρηση. Όταν ακυρωθεί η λειτουργία διακοπών, θα ισχύουν οι επιλεγμένες τιμές ρύθμισης.
- Μπορούν να επιλεγούν οι λειτουργίες ταχείας ψύξης και ταχείας κατάψυξης. Η λειτουργία διακοπών ακυρώνεται αυτόματα και ενεργοποιείται η επιλεγμένη λειτουργία.
- Η λειτουργία οικονομίας μπορεί να επιλεγεί μετά την ακύρωση της λειτουργίας διακοπών. Κατόπιν ενεργοποιείται η επιλεγμένη λειτουργία.
- Για ακύρωση, χρειάζεται απλά να πατήσετε το κουμπί τρόπου λειτουργίας.



Λειτουργία Ψύξης ποτών

Πότε να τη χρησιμοποιήσω;

Αυτή η λειτουργία χρησιμοποιείται για την ψύξη των ποτών μέσα σε ρυθμιζόμενο χρόνο.

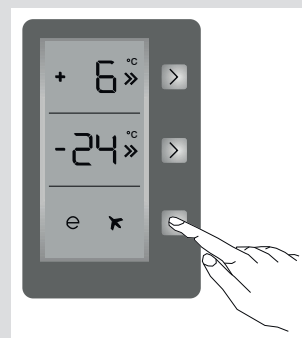
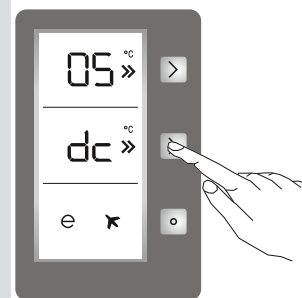
Πως μπορώ να τη χρησιμοποιήσω;

- Πιέστε και κρατήστε πατημένο το κουμπί κατάψυξης για 3 δευτερόλεπτα.
- Τα γράμματα “dc” θα εμφανιστούν στην οθόνη της κατάψυξης και η ένδειξη “05” θα αναβοσβήνει στην οθόνη της συντήρησης.
- Πατήστε το κουμπί συντήρησης για να ρυθμίσετε το χρόνο (05 - 10 - 15 - 20 - 25 - 30 λεπτά).
- Όταν επιλέξετε το χρόνο, οι αριθμοί θα αναβοσβήσουν 3 φορές στην οθόνη και θα ηχήσει διπλό μπιπ.
- Αν δεν πατηθεί κανένα κουμπί για 2 δευτερόλεπτα, ο χρόνος θα ρυθμιστεί.
- Η αντίστροφη μέτρηση ξεκινά από το ρυθμισμένο χρόνο, λεπτό ανά λεπτό.
- Ο υπολειπόμενος χρόνος αναβοσβήνει στην οθόνη.
- Για να ακυρώσετε αυτή τη λειτουργία, πιέστε το κουμπί ρύθμισης κατάψυξης για 3 δευτερόλεπτα.

Λειτουργία Προφύλαξης οθόνης

Πώς να τη χρησιμοποιήσω;

- Η λειτουργία αυτή θα ενεργοποιηθεί αν κρατήσετε το κουμπί τρόπου λειτουργίας πατημένο για 5 δευτερόλεπτα.
- Αν δεν πατηθεί κανένα κουμπί μέσα σε 5 δευτερόλεπτα όταν είναι ενεργή η λειτουργία, οι λυχνίες του πίνακα ελέγχου θα σβήσουν.
- Αν πατήσετε οποιοδήποτε κουμπί όταν είναι σβηστές οι λυχνίες του πίνακα ελέγχου, οι τρέχουσες ρυθμίσεις θα εμφανιστούν στην οθόνη και τότε μπορείτε να πραγματοποιήσετε τις ρυθμίσεις όπως θέλετε. Αν δεν ακυρώσετε τη λειτουργία προφύλαξης οθόνης, ή αν δεν πατήσετε κανένα κουμπί για 5 δευτερόλεπτα, ο πίνακας ελέγχου θα σβήσει πάλι.
- Για να ακυρώσετε τη λειτουργία προφύλαξης οθόνης, πατήστε πάλι το κουμπί τρόπου λειτουργίας για 5 δευτερόλεπτα.
- Όταν είναι ενεργή η λειτουργία προφύλαξης οθόνης, μπορείτε να ενεργοποιήσετε και το κλείδωμα προστασίας.
- Αν δεν πατήσετε κανένα κουμπί για 5 δευτερόλεπτα μετά την ενεργοποίηση του κλειδώματος προστασίας, οι λυχνίες του



πίνακα ελέγχου θα σβήσουν. Τότε, αν πατήσετε οποιοδήποτε κουμπί, μπορείτε να δείτε τις προηγούμενες ρυθμίσεις και ότι το σύμβολο κλειδώματος προστασίας είναι ενεργό. Επίσης μπορείτε να ακυρώσετε το κλείδωμα προστασίας όπως περιγράφεται στις οδηγίες αυτής της λειτουργίας.

Λειτουργία Κλειδώματος προστασίας

Πότε να τη χρησιμοποιήσω;

- Για να αποτρέψετε τα παιδιά να παίζουν με τα κουμπιά και να αλλάξουν τις ρυθμίσεις που έχετε πραγματοποιήσει, η συσκευή αυτή διαθέτει τη λειτουργία κλειδώματος προστασίας.

Ενεργοποίηση του κλειδώματος προστασίας

- Πατήστε ταυτόχρονα για 5 δευτερόλεπτα τα κουμπιά Κατάψυξης και Συντήρησης.

Απενεργοποίηση του κλειδώματος προστασίας

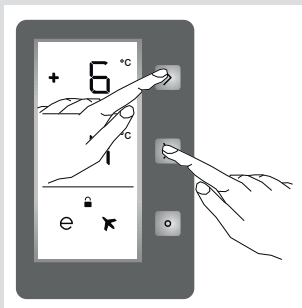
- Πατήστε ταυτόχρονα για 5 δευτερόλεπτα τα κουμπιά Κατάψυξης και Συντήρησης.

Σημείωση: Το κλείδωμα προστασίας θα απενεργοποιηθεί και σε περίπτωση διακοπής ρεύματος ή αποσύνδεσης του ψυγείου από την πρίζα.

Λειτουργία Απενεργοποίησης φωτισμού

Πότε να τη χρησιμοποιήσω;

- Αν επιθυμείτε να απενεργοποιήσετε το φωτισμό της συντήρησης, μπορείτε να επιλέξετε αυτή τη λειτουργία.
- Ενώ πατάτε ταυτόχρονα τα κουμπιά κατάψυξης, συντήρησης, τρόπου λειτουργίας, ανοίξτε και κλείστε μία από τις πόρτες 3 φορές. Έτσι θα επιλεγεί ο τρόπος λειτουργίας. Από τη στιγμή αυτή, τα φώτα δεν θα ανάβουν, αν η λειτουργία δεν έχει ακυρωθεί με τον ίδιο τρόπο.
- Αν θέλετε να ακυρώσετε αυτή τη λειτουργία, επαναλάβετε την ίδια διαδικασία, διαφορετικά η λειτουργία θα ακυρωθεί αυτόματα μετά από 24 ώρες.

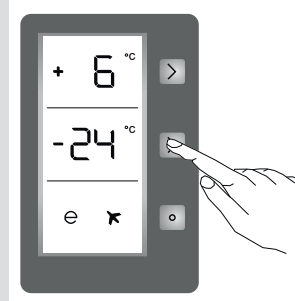
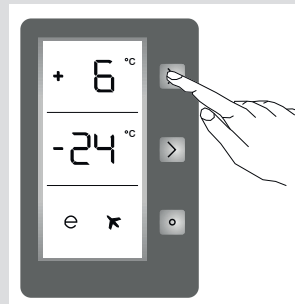


Ρυθμίσεις θερμοκρασίας συντήρησης

- Η αρχική τιμή θερμοκρασίας για την ένδειξη ρύθμισης συντήρησης είναι $+4^{\circ}\text{C}$.
- Πατήστε μία φορά το κουμπί συντήρησης.
- Όταν πατήσετε το κουμπί αυτό για πρώτη φορά, στην ένδειξη ρύθμισης συντήρησης εμφανίζεται η τελευταία τιμή.
- Κάθε φορά που πατάτε αυτό το κουμπί, θα ρυθμίζεται χαμηλότερη θερμοκρασία. ($+8^{\circ}\text{C}$, $+6^{\circ}\text{C}$, $+5^{\circ}\text{C}$, $+4^{\circ}\text{C}$, $+2^{\circ}\text{C}$, ταχεία ψύξη)
- Αν πατήσετε το κουμπί ρύθμισης συντήρησης μέχρι να εμφανιστεί το σύμβολο ταχείας ψύξης στην ένδειξη ρύθμισης συντήρησης, και δεν πατήσετε κανένα κουμπί σε 1 δευτερόλεπτο, θα αναβοσβήσει η ένδειξη Ταχείας ψύξης.
- Αν συνεχίσετε να πατάτε το κουμπί, θα αρχίσει πάλι από τους $+8^{\circ}\text{C}$.
- Η τιμή θερμοκρασίας που επιλέχθηκε πριν ενεργοποιηθεί η λειτουργία Διακοπών, η λειτουργία Ταχείας κατάψυξης, η λειτουργία Ταχείας ψύξης ή η λειτουργία Οικονομίας, θα παραμείνει ίδια όταν ολοκληρωθεί ή ακυρωθεί η λειτουργία. Η συσκευή συνεχίζει να λειτουργεί με αυτή την τιμή θερμοκρασίας.

Ρυθμίσεις θερμοκρασίας κατάψυξης

- Η αρχική τιμή θερμοκρασίας για την ένδειξη ρύθμισης κατάψυξης είναι -18°C .
- Πατήστε μία φορά το κουμπί ρύθμισης κατάψυξης.
- Όταν πατήσετε το κουμπί αυτό για πρώτη φορά, στην οθόνη θα αναβοσβήσει η τελευταία τιμή που είχε ρυθμιστεί.
- Κάθε φορά που πατάτε αυτό το κουμπί, θα ρυθμίζεται χαμηλότερη θερμοκρασία. (-16°C , -18°C , -20°C , -22°C , -24°C , ταχεία κατάψυξη)
- Αν πατήσετε το κουμπί ρύθμισης κατάψυξης μέχρι να εμφανιστεί το σύμβολο ταχείας κατάψυξης στην ένδειξη ρύθμισης κατάψυξης, και αν δεν πατήσετε κανένα κουμπί σε 1 δευτερόλεπτο, θα αναβοσβήσει η ένδειξη Ταχείας κατάψυξης.
- Αν συνεχίσετε να πατάτε το κουμπί, θα αρχίσει πάλι από τους -16°C .
- Η τιμή θερμοκρασίας που επιλέχθηκε πριν ενεργοποιηθεί η λειτουργία Διακοπών, η λειτουργία Ταχείας κατάψυξης, η λειτουργία Ταχείας ψύξης ή η λειτουργία Οικονομίας, θα παραμείνει ίδια όταν ολοκληρωθεί ή ακυρωθεί η λειτουργία. Η συσκευή συνεχίζει να λειτουργεί με αυτή την τιμή θερμοκρασίας.



Προειδοποιήσεις σχετικά με τις ρυθμίσεις θερμοκρασίας

- Οι ρυθμίσεις της θερμοκρασίας που ορίζετε δεν διαγράφονται σε περίπτωση διακοπής ρεύματος.
- Δεν συστήνεται να λειτουργείτε το ψυγείο σε περιβάλλον με θερμοκρασία κάτω από 10°C.
- Για τη ρύθμιση της θερμοκρασίας θα πρέπει να λαμβάνεται υπόψη η συχνότητα ανοίγματος των πορτών, η ποσότητα τροφίμων που διατηρείται μέσα στο ψυγείο και η θερμοκρασία περιβάλλοντος στο χώρο του ψυγείου.
- Αφού συνδεθεί στην πρίζα, το ψυγείο θα πρέπει να λειτουργεί αδιάκοπα ως 24 ώρες σε ρύθμιση που αντιστοιχεί στη θερμοκρασία περιβάλλοντος, ώστε να ψυχθεί πλήρως. Μην ανοίγετε τις πόρτες του ψυγείου και μην τοποθετείτε τρόφιμα στο εσωτερικό του κατά το χρονικό αυτό διάστημα.
- Το ψυγείο διαθέτει μια λειτουργία καθυστέρησης 5 λεπτών για την αποφυγή πρόκλησης βλάβης στον συμπιεστή του, όταν βγάζετε το βύσμα από την πρίζα και στη συνέχεια το συνδέετε ξανά, σε περίπτωση διακοπής ρεύματος. Το ψυγείο θα αρχίσει να λειτουργεί κανονικά μετά από 5 λεπτά.
- Το ψυγείο έχει σχεδιαστεί να λειτουργεί στο εύρος θερμοκρασιών περιβάλλοντος που αναφέρεται στα πρότυπα, σύμφωνα με την κλιματική κλάση που δηλώνεται στην πινακίδα χαρακτηριστικών. Δεν συστήνουμε τη λειτουργία του ψυγείου σε θερμοκρασίες εκτός του αναγραφόμενου εύρους, καθώς αυτό μπορεί να επηρεάσει την ψυκτική του απόδοση.
- Η συσκευή αυτή έχει σχεδιαστεί για χρήση σε θερμοκρασίες περιβάλλοντος εντός του εύρους 10°C - 43°C.

Κατηγορία κλίματος και σημασία:

T (τροπικό): Αυτή η ψυκτική συσκευή προορίζεται για χρήση σε θερμοκρασίες περιβάλλοντος στην περιοχή από 16 °C έως 43 °C.

ST (υποτροπικό): Αυτή η ψυκτική συσκευή προορίζεται για χρήση σε θερμοκρασίες περιβάλλοντος από 16 °C έως 38 °C.

N (εύκρατο): Αυτή η ψυκτική συσκευή προορίζεται για χρήση σε θερμοκρασίες περιβάλλοντος από 16 °C έως 32 °C.

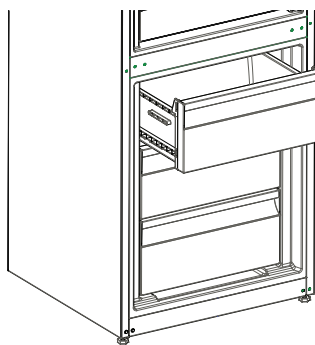
SN (διευρυμένο εύκρατο): Αυτή η ψυκτική συσκευή προορίζεται για χρήση σε θερμοκρασίες περιβάλλοντος από 10 °C έως 32 °C.

Σημείωση: Αν η θερμοκρασία του περιβάλλοντος είναι υψηλότερη από 38°C, η θερμοκρασία του θαλάμου κατάψυξης δεν μπορεί να ρυθμιστεί σε -22°C και -24°C. Μπορεί να ρυθμιστεί μόνο στις τιμές -16°C, -18°C, -20°C.

Εξαρτήματα

Συρτάρι κατάψυξης

- Το συρτάρι της κατάψυξης επιτρέπει την εύκολη πρόσβαση στα τρόφιμα.
- Αφαίρεση του συρταριού κατάψυξης:
- Τραβήξτε το συρτάρι προς τα έξω ως την ακραία θέση
- Τραβήξτε το συρτάρι προς τα πάνω και έξω.



! Αντιστρέψτε τη διαδικασία για να επανατοποθετήσετε το συρτάρι.

Σημείωση: Πάντοτε να κρατάτε το συρτάρι από τη λαβή καθώς το μετακινείτε προς τα μέσα ή έξω.

Συρτάρι chiller (ψυχρότερης συντήρησης) (Σε ορισμένα μοντέλα)

Η συντήρηση τροφίμων στο διαμέρισμα chiller, αντί του θαλάμου ψύξης ή συντήρησης, επιτρέπει στα τρόφιμα να διατηρούν τη φρεσκάδα και τη γεύση τους για περισσότερο χρόνο, διατηρώντας παράλληλα φρέσκια εμφάνιση. Αν λερωθεί ο δίσκος του chiller, αφαιρέστε τον και πλύντε τον με νερό.

Το νερό παγώνει στους 0 °C, αλλά τα τρόφιμα που περιέχουν αλάτι ή ζάχαρη παγώνουν σε χαμηλότερες θερμοκρασίες)

Συνήθως το διαμέρισμα chiller χρησιμοποιείται για ωμό ψάρι, ρύζι, κ.τ.λ...

Μην τοποθετείτε τρόφιμα που επιθυμείτε να παγώσουν ή παγοθήκες για να κάνετε παγάκια.

Αφαίρεση του συρταριού chiller:

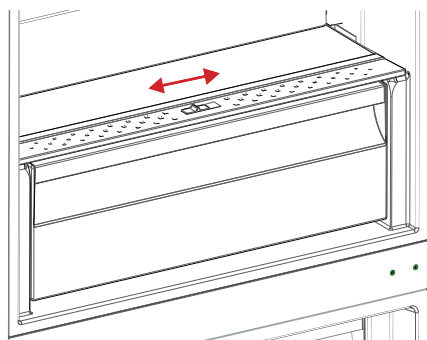
- Τραβήξτε το συρτάρι chiller προς το μέρος σας σύροντάς το στις ράγες του.
- Τραβήξτε το συρτάρι chiller προς τα επάνω ώστε να το αφαιρέσετε.

Ελεγκτής υγρασίας

Όταν ο ελεγκτής υγρασίας βρίσκεται στην κλειστή θέση, επιτρέπει τη συντήρηση φρέσκων φρούτων και λαχανικών για περισσότερο χρόνο.

Αν το διαμέρισμα crisper είναι γεμάτο, ο ρυθμιστής φρεσκάδες που βρίσκεται μπροστά από το διαμέρισμα crisper θα πρέπει να είναι ανοικτός. Με αυτόν τον τρόπο ο αέρας στο διαμέρισμα crisper, καθώς και το ποσοστό υγρασίας, ελέγχονται και, κατά συνέπεια, αυξάνεται ο χρόνος διατήρησης των τροφίμων.

Αν παρατηρήσετε συμπύκνωση υδρατμών στο γυάλινο ράφι, θα πρέπει να γυρίσετε τον ελεγκτή υγρασίας στην ανοικτή θέση.



Ράφι πόρτας Adapti-Lift (Σε ορισμένα μοντέλα)

Μπορούν να γίνουν έξι διαφορετικές ρυθμίσεις ύψους για την παροχή αποθηκευτικών χώρων που θα χρειαστείτε με το Adapti-Lift.

Για να αλλάξετε τη θέση του Adapti-Lift, κρατήστε το κάτω μέρος του ραφιού και τραβήξτε τα κουμπιά στο πλάι του ραφιού της πόρτας προς την κατεύθυνση του βέλους (Εικ. 1).

Τοποθετήστε το ράφι της πόρτας στο ύψος που χρειάζεστε μετακινώντας το πάνω και κάτω.

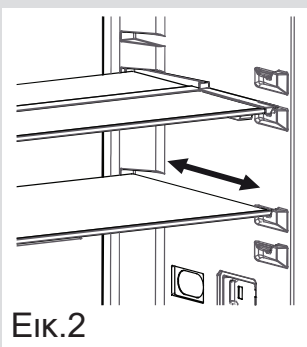
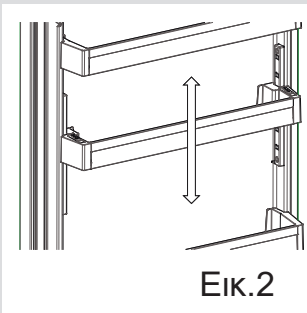
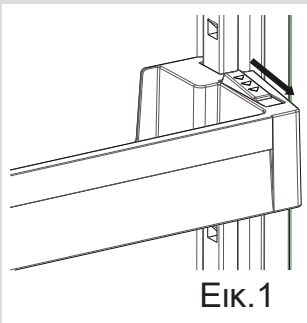
Αφού θέσετε το ράφι της πόρτας στη θέση που επιθυμείτε, ελευθερώστε τα κουμπιά στο πλάι του ραφιού της πόρτας (Σχήμα 2). Πριν απελευθερώσετε το ράφι της πόρτας, κινήστε το προς τα επάνω και προς τα κάτω και βεβαιωθείτε ότι το ράφι της πόρτας είναι καλά στερεωμένο.

Σημείωση: Πριν να μετακινήσετε το φορτωμένο ράφι της πόρτας, θα πρέπει να κρατάτε το ράφι στηρίζοντας το κάτω μέρος. Σε αντίθετη περίπτωση, το ράφι της πόρτας μπορεί να πέσει από τις ράγες λόγω του βάρους. Έτσι, μπορεί να προκληθεί βλάβη στο ράφι της πόρτας ή στις ράγες.

Adapti-shelf (Σε ορισμένα μοντέλα)

Ο μηχανισμός ADAPTI-Shelf επιτρέπει τη δημιουργία ψηλότερων χώρων τοποθέτησης τροφίμων με μια απλή κίνηση.

- Σπρώξτε το γυάλινο ράφι για να το καλύψετε. (Εικ. 1)
- Μπορείτε να τοποθετήσετε τα τρόφιμα όπως θέλετε στον επιπρόσθετο χώρο που προκύπτει έτσι. (Εικ. 2)
- Για να επαναφέρετε το ράφι στην αρχική του θέση, τραβήξτε το προς το μέρος σας. (Εικ. 1)

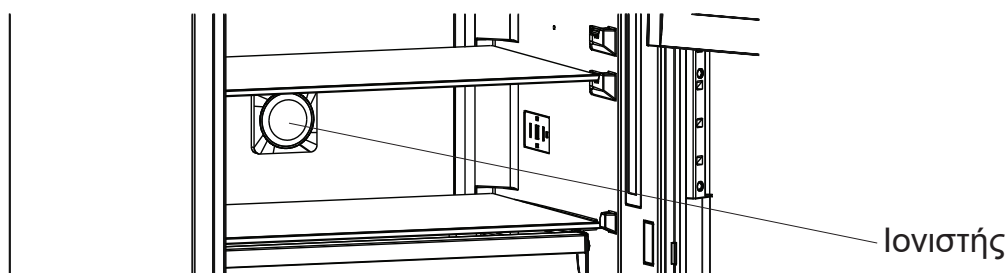


Natural Ion Tech / Ιονιστής (Σε ορισμένα μοντέλα)

Το Natural Ion Tech εκπέμπει αρνητικά ιόντα τα οποία εξουδετερώνουν τα σωματίδια δυσάρεστων οσμών και σκόνης στον αέρα.

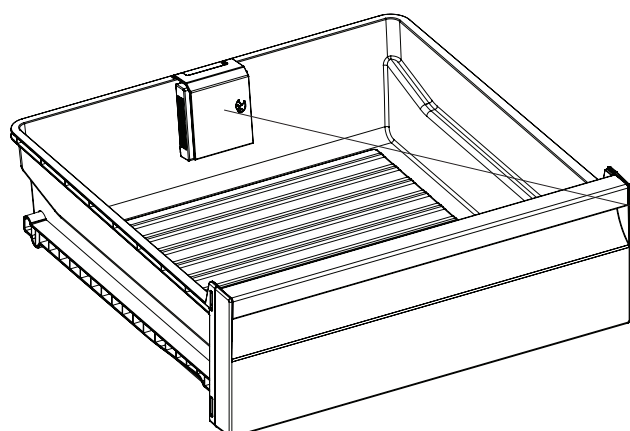
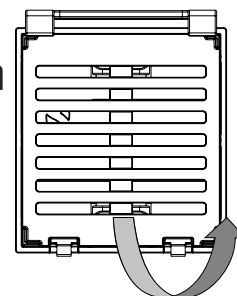
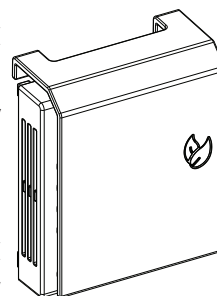
Με την απομάκρυνση αυτών των σωματιδίων από τον αέρα του ψυγείου, το Natural Ion Tech βελτιώνει την ποιότητα του αέρα και εξαλείφει τις οσμές.

- Αυτό το χαρακτηριστικό είναι προαιρετικό. Ενδέχεται να μην υφίσταται στο προϊόν σας.
- Το σημείο στο οποίο βρίσκεται ο ιονιστής ποικίλει ανάλογα με το προϊόν.

**Maxi-fresh preserver (Σε ορισμένα μοντέλα)**

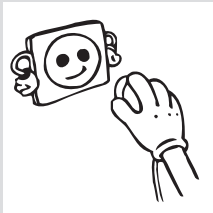
Η τεχνολογία Maxi Fresh Preserver εξαλείφει το αιθυλένιο (ένα παράγωγο των φρέσκων τροφίμων) μέσα στο συρτάρι λαχανικών. Με αυτή τη μέθοδο, μεγιστοποιείται η ζωή στο ράφι των φρέσκων τροφίμων, και ιδιαίτερα των πράσινων λαχανικών. Επίσης, η Maxi Fresh Preserver εμποδίζει τις άσχημες οσμές μέσα στο ψυγείο.

- Η συσκευή Maxi Fresh Preserver πρέπει να καθαρίζεται μία φορά τον χρόνο. Μπορεί να καθαριστεί στο φως του ήλιου για μία ημέρα.
- Όταν θέλετε να καθαρίσετε το φίλτρο, αφαιρέστε την πλαϊνή πλευρά προς την κατεύθυνση του βέλους.
- Μην βρέξετε αυτό το μέρος με νερό ή απορρυπαντικό.

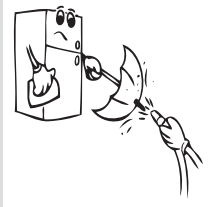


Maxi Fresh Preserver
(Σε ορισμένα μοντέλα)

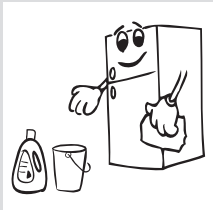
Οι απεικονίσεις και οι όροι που περιγράφουν τα εξαρτήματα μπορεί να διαφέρουν ανάλογα με το μοντέλο που έχετε αποκτήσει.



- Βεβαιωθείτε ότι αποσυνδέσατε το ψυγείο από το ρεύμα πριν αρχίσετε τον καθαρισμό του.



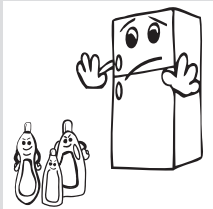
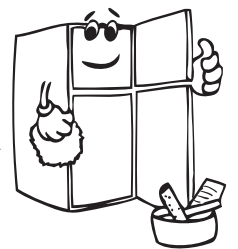
- Μην καθαρίζετε το ψυγείο χύνοντας νερό πάνω του.



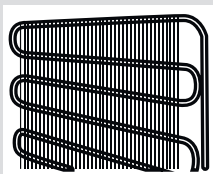
- Μπορείτε να καθαρίσετε τα εσωτερικά και εξωτερικά μέρη της συσκευής σας σκουπίζοντας με μαλακό πανί ή σφουγγάρι βρεγμένο με χλιαρό σαπουνόνερο.



- Αφαιρείτε τα μέρη της συσκευής ένα-ένα και καθαρίζετε τα με το σαπουνόνερο. Μην τα πλένετε σε πλυντήριο.



- Ποτέ μη χρησιμοποιήσετε για τον καθαρισμό εύφλεκτα, εκρηκτικά ή διαβρωτικά υλικά όπως αραιωτικό χρωμάτων, βενζίνη ή οξύ.



- Θα πρέπει να καθαρίζετε το συμπυκνωτή με βούρτσα μια φορά το χρόνο για λόγους εξοικονόμησης ενέργειας και για αυξημένη απόδοση.

Βεβαιωθείτε ότι το ψυγείο σας έχει αποσυνδεθεί από την πρίζα κατά τον καθαρισμό. πρίζα κατά τον καθαρισμό. πρίζα κατά τον καθαρισμό.

Απόψυξη

- Το ψυγείο σας έχει αυτόματη απόψυξη. Το νερό που δημιουργείται από την απόψυξη περνά από τον σωλήνα περισυλλογής νερού, ρέει μέσα στο δοχείο εξάτμισης πίσω από το ψυγείο σας και εξατμίζεται από εκεί.
- Βεβαιωθείτε ότι έχετε αποσυνδέσει το βύσμα από την 7 πριν καθαρίσετε το δοχείο εξάτμισης.
- Ξεβιδώστε τις βίδες (όπως ενδείκνυται) και αφαιρέστε το δοχείο εξάτμισης από τη θέση του. Καθαρίστε το με σαπουνόνερο σε τακτικά διαστήματα και θα αποτρέψετε την δημιουργία δυσάρεστων οσμών.

Αντικατάσταση λαμπτήρα LED

Αν το ψυγείο σας έχει λαμπτήρα LED, επικοινωνήστε με το γραφείο βοήθειας, επειδή αυτός πρέπει να αντικατασταθεί μόνο από εξουσιοδοτημένο προσωπικό.



Θάλαμος συντήρησης

- Για κανονικές συνθήκες λειτουργίας, η ρύθμιση της θερμοκρασίας συντήρησης του ψυγείου στους 4°C επαρκεί.
- Για να μειωθεί η υγρασία και η συνεπαγόμενη αύξηση πάγου, ποτέ μην τοποθετείτε υγρά σε ανοικτά δοχεία μέσα στο ψυγείο. Ο πάγος τείνει να συγκεντρώνεται στα ψυχρότερα μέρη της μονάδας εξάχνωσης. Με την πάροδο του χρόνου, θα απαιτεί συχνότερη απόψυξη.
- Ποτέ μην τοποθετείτε θερμά τρόφιμα στο ψυγείο. Τα θερμά τρόφιμα θα πρέπει να κρυώνουν σε θερμοκρασία δωματίου και θα πρέπει να διευθετούνται έτσι ώστε να εξασφαλίζεται επαρκής κυκλοφορία αέρα μέσα στον θάλαμο της συντήρησης.
- Τίποτα δεν πρέπει να βρίσκεται σε επαφή με την πλάτη του ψυγείου, καθώς αυτό θα οδηγήσει στον σχηματισμό πάγου και ενδέχεται να κολλήσουν συσκευασίες στον τοίχο της πλάτης. Μην ανοίγετε την πόρτα του ψυγείου πολύ συχνά.
- Τακτοποιήστε τα κρεατικά και καθαρισμένα ψάρια (εντός της συσκευασίας τους ή τυλιγμένα με πλαστική μεμβράνη) που πρόκειται να καταναλώσετε σε 1-2 μέρες, στην κάτω περιοχή του θαλάμου συντήρησης (που βρίσκεται επάνω από το δοχείο crisp), καθώς αυτή είναι η ψυχρότερη περιοχή και έτσι εξασφαλίζονται οι βέλτιστες συνθήκες διατήρησης.
- Μπορείτε να τοποθετείτε φρούτα και λαχανικά μέσα στο δοχείο crisp εκτός συσκευασίας.
- Για κανονικές συνθήκες λειτουργία, θα αρκεί να προσαρμόσετε τη ρύθμιση θερμοκρασίας του ψυγείου σας στους +4 °C.
- Η θερμοκρασία του διαμερίσματος συντήρησης θα πρέπει να βρίσκεται στην περιοχή 0-8 °C, τα νωπά τρόφιμα κάτω από τους 0 °C παγώνουν και αλλοιώνονται, ενώ πάνω από τους 8 °C το βακτηριακό φορτίο αυξάνεται και τα τρόφιμα χαλάνε.
- Μην τοποθετείτε ζεστό φαγητό κατευθείαν στο ψυγείο, περιμένετε πρώτα να κρυώσουν σε θερμοκρασία δωματίου. Τα ζεστά τρόφιμα προκαλούν αύξηση της θερμοκρασίας του ψυγείου σας και αυτό μπορεί να προκαλέσει τροφικές δηλητηριάσεις και άσκοπη αλλοίωση των τροφίμων.
- Το κρέας, τα ψάρια και παρόμοια τρόφιμα πρέπει να αποθηκεύονται στο διαμέρισμα έντονης ψύξης, ενώ για τα λαχανικά πρέπει να προτιμάται το διαμέρισμα λαχανικών (αν διατίθεται)
- Για να αποφύγετε τη μετάδοση μικροβίων μεταξύ των τροφίμων, τα προϊόντα κρέατος και τα φρούτα και λαχανικά δεν πρέπει να αποθηκεύονται μαζί.
- Τα τρόφιμα πρέπει να τοποθετούνται μέσα στο ψυγείο σε κλειστά δοχεία ή καλυμμένα, για να αποτραπεί η δημιουργία υγρασίας και οσμών.

Πιο κάτω αναφέρονται ορισμένες υποδείξεις για την τοποθέτηση και διατήρηση των τροφίμων σας στο θάλαμο συντήρησης.

ΣΗΜΕΙΩΣΗ: Οι πατάτες, τα κρεμμύδια και το σκόρδο δεν πρέπει να διατηρούνται μέσα στο ψυγείο.

Είδος τροφίμων	Χρόνος διατήρησης	Πού να τοποθετηθούν στο θάλαμο συντήρησης
Φρούτα και λαχανικά:	1 εβδομάδα	Στο συρτάρι λαχανικών (χωρίς να τυλιχτούν)
Κρέας και ψάρι	2 έως 3 ημέρες	Καλυμμένα με πλαστική μεμβράνη και σακούλες ή σε δοχείο κρέατος (πάνω στο γυάλινο ράφι)
Φρέσκο τυρί	3 έως 4 ημέρες	Στο ειδικό ράφι πόρτας
Βούτυρο και μαργαρίνη	1 εβδομάδα	Στο ειδικό ράφι πόρτας
Εμφιαλωμένο προϊόν, γάλα και γιαούρτι	Ως την ημερομηνία λήξης που συνιστά ο παραγωγός	Στο ειδικό ράφι πόρτας
Αυγά	1 μήνας	Στην αυγοθήκη
Μαγειρεμένο φαγητό		Σε όλα τα ράφια

Θάλαμος ψύξης

- Χρησιμοποιείτε το θάλαμο βαθιάς κατάψυξης για τη συντήρηση καταψυγμένων τροφίμων για μεγάλο χρονικό διάστημα και για την παραγωγή πάγου.
- Για να βελτιστοποιήσετε τη χωρητικότητα του θαλάμου ψύξης, χρησιμοποιείτε γυάλινα ράφια μόνο για την άνω και τη μεσαία περιοχή. Για την κάτω περιοχή, χρησιμοποιήστε το κατώτερο καλάθι.
- Μην τοποθετείτε τρόφιμα που επιθυμείτε να καταψύξετε κοντά σε ήδη καταψυγμένα τρόφιμα.
- Θα πρέπει να καταψύχετε τα τρόφιμα (κρέας, κιμά, ψάρι, κ.τ.λ.) αφού τα χωρίσετε σε μερίδες έτσι ώστε να μπορούν να καταναλωθούν ακέραιες μερίδες.
- Μην καταψύχετε ξανά τρόφιμα που έχουν ξεπαγώσει. Μπορεί να είναι επικίνδυνα για την υγεία σας εφόσον μπορεί να προκαλέσουν προβλήματα όπως τροφική δηλητηρίαση.
- Μην τοποθετείτε θερμά γεύματα στη βαθιά κατάψυξη πριν κρυώσουν. Κάτι τέτοιο θα προκαλέσει αποσύνθεση στα ήδη καταψυγμένα τρόφιμα που βρίσκονται σε βαθιά κατάψυξη.
- Όταν αγοράζετε καταψυγμένα τρόφιμα, βεβαιώνετε πως έχουν καταψυχθεί σε κατάλληλες συνθήκες και πως η συσκευασία δεν έχει σκιστεί.
- Κατά τη συντήρηση καταψυγμένων τροφίμων, θα πρέπει οπωσδήποτε να ακολουθείτε τις οδηγίες συντήρησης που αναγράφονται στη συσκευασία. Αν δεν υπάρχει άλλη διευκρίνηση, τα τρόφιμα πρέπει να καταναλώνονται στο συντομότερο δυνατό χρονικό διάστημα.
- Αν παρατηρείται συμπύκνωση υγρασίας εντός της συσκευασίας του καταψυγμένου τροφίμου και παρουσιάζει δυσοσμία, το τρόφιμο ενδεχομένως έχει διατηρηθεί υπό ακατάλληλες συνθήκες και έχει χαλάσει. Μην αγοράζετε τέτοιου είδους τρόφιμα!
- Οι χρόνοι συντήρησης καταψυγμένων τροφίμων μεταβάλλονται, ανάλογα με τη θερμοκρασία περιβάλλοντος, τη συχνότητα ανοίγματος και κλεισίματος των πορτών, τις ρυθμίσεις του θερμοστάτη, τον τύπο τροφίμου και τον χρόνο που παρήλθε μεταξύ της αγοράς του τροφίμου και της τοποθέτησής του στην κατάψυξη. Πάντοτε να τηρείτε τις οδηγίες που βρίσκονται στη συσκευασία και ποτέ να μην υπερβαίνετε τη διάρκεια συντήρησης που υποδεικνύεται.
- Κατά τη διάρκεια μακρόχρονων διακοπών ρεύματος, μην ανοίγετε την πόρτα του θαλάμου βαθιάς κατάψυξης. Κατά τη διάρκεια μεγαλύτερων διακοπών ρεύματος, μην καταψύχετε ξανά τα τρόφιμα, αλλά καταναλώστε τα όσο το δυνατόν συντομότερα.
- Σημειώστε πως αν θέλετε να ανοίξετε ξανά την πόρτα της ψύξης, αμέσως αφού την έχετε κλείσει, δεν θα ανοίξει εύκολα. Αυτό είναι απόλυτα φυσιολογικό! Αφού επιτευχθεί εξισορρόπηση, η πόρτα θα ανοίγει πάλι εύκολα.

Σημαντική σημείωση:

- Αφού ξεπαγώσουν, τα κατεψυγμένα τρόφιμα θα πρέπει να μαγειρεύονται όπως και τα φρέσκα τρόφιμα. Αν δεν μαγειρευτούν αφού ξεπαγώσουν, δεν πρέπει ΠΟΤΕ να αναψυχθούν.
- Η γεύση ορισμένων μπαχαρικών που περιέχονται στα τρόφιμα (γλυκάνισος, βασιλικός, κάρδαμο, ξύδι, μιξ μπαχαρικών, πιπερόριζα, σκόρδο, κρεμμύδι, μουστάρδα, θυμάρι, μαντζουράνα, μαύρο πιπέρι, κ.τ.λ.) αλλάζει και γίνεται πιο έντονη όταν τα τρόφιμα παραμένουν στην κατάψυξη για μεγάλο χρονικό διάστημα. Συνεπώς, στα τρόφιμα που καταψύχονται θα πρέπει να προστίθεται μικρή ποσότητα μπαχαρικών και αρωματικών, ή θα πρέπει να προσθέσετε τα μπαχαρικά στα τρόφιμα αφού αυτά ξεπαγώσουν.
- Ο χρόνος διατήρησης ενός φαγητού εξαρτάται από το λάδι που περιέχει. Τα κατάλληλα έλαια για κατάψυξη είναι η μαργαρίνη, βόειο λίπος, ελαιόλαδο και βούτυρο, ενώ τα ακατάλληλα είναι το φυσικέλαιο και το χοιρινό λίπος.
- Τρόφιμα σε υγρή μορφή θα πρέπει να καταψύχονται μέσα σε πλαστικά δοχεία, ενώ τα υπόλοιπα τρόφιμα θα πρέπει να καταψύχονται σε πλαστικές σακούλες.

Στις σελίδες 23, 24 και 25 αναφέρονται ορισμένες υποδείξεις για την τοποθέτηση και διατήρηση των τροφίμων σας στο θάλαμο βαθιάς κατάψυξης.

Ψάρι και κρέας	Προετοιμασία	Διάρκεια αποθήκευσης (μήνες)	Χρόνος απόψυξης σε θερμοκρασία δωματίου -ώρες-
Μπριζόλες μοσχαρίσιες	Συσκευασία για κατάψυξη σε κατάλληλες μερίδες	6-10	1-2
Αρνίσιο κρέας	Συσκευασία για κατάψυξη σε κατάλληλες μερίδες	6-8	1-2
Μοσχάρι ψητό	Συσκευασία για κατάψυξη σε κατάλληλες μερίδες	6-10	1-2
Μοσχάρι σε κύβους	Σε μικρά τεμάχια	6-10	1-2
Αρνί σε κύβους	Σε τεμάχια	4-8	2-3
Κιμάς	Σε κατάλληλες μερίδες, συσκευασμένος χωρίς μπαχαρικά	1-3	2-3
Εντόσθια (κομμάτι)	Σε τεμάχια	1-3	1-2
Λουκάνικα/ σαλάμι	Θα πρέπει να συσκευάζονται ακόμα και αν είναι τυλιγμένα με μεμβράνη		Έως ότου αποψυχθούν
Κοτόπουλο και γαλοπούλα	Συσκευασία για κατάψυξη σε κατάλληλες μερίδες	7-8	10-12
Χήνα / πάπια	Συσκευασία για κατάψυξη σε κατάλληλες μερίδες	4-8	10
Ελάφι, κουνέλι, αγριογούρουνο	Μερίδες των 2,5 kg και χωρίς κόκαλα	9-12	10-12
Ψάρια γλυκού νερού (πέστροφα, κυπρίνος, τούρνα, γατόψαρο)	Αφού καθαριστούν καλά τα λέπια και τα εντόσθια, πρέπει να πλένονται και να στεγνώνουν και αν χρειάζεται πρέπει να κόβονται οι ουρές και τα κεφάλια.	2	Έως ότου αποψυχθούν τελείως
Μη λιπαρά ψάρια (λαβράκι, καλκάνι, γλώσσα)		4-8	Έως ότου αποψυχθούν τελείως
Λιπαρά ψάρια (παλαμίδα, σκουμπρί, γοφάρι, γαύρος)		2-4	Έως ότου αποψυχθούν τελείως
Μαλακόστρακα	Καθαρισμένα και σε σακούλες	4-6	Έως ότου αποψυχθούν τελείως
Χαβιάρι	Στη συσκευασία του, αλουμινένιο ή πλαστικό δοχείο	2-3	Έως ότου αποψυχθούν τελείως
Σαλιγκάρια	Σε αλατόνερο, μέσα σε αλουμινένιο ή πλαστικό δοχείο	3	Έως ότου αποψυχθούν τελείως

Λαχανικά και φρούτα	Προετοιμασία	Διάρκεια αποθήκευσης (μήνες)	Χρόνος απόψυξης σε θερμοκρασία δωματίου -ώρες--
Κουνουπίδι	Αφαιρέστε τα φύλλα, χωρίστε τον κορμό σε μέρη και φυλάξτε το σε νερό με λίγο λεμόνι	10 - 12	Μπορεί να χρησιμοποιηθεί και κατεψυγμένο.
Φασολάκια	Πλύνετε τα και κόψτε τα σε μικρά κομμάτια	10 - 13	Μπορεί να χρησιμοποιηθεί και κατεψυγμένο.
Μπιζέλια	Ξεφλουδίστε τα και πλύνετε τα	12	Μπορεί να χρησιμοποιηθεί και κατεψυγμένο.
Μανιτάρια και σπαράγγια	Πλύνετε τα και κόψτε τα σε μικρά κομμάτια	6 - 9	Μπορεί να χρησιμοποιηθεί και κατεψυγμένο.
Λάχανο	Καθαρισμένο	6 - 8	2
Μελιτζάνα	Κόψτε σε κομμάτια 2 εκ. μετά το πλύσιμο	10 - 12	Χωρίστε τις φέτες μεταξύ τους
Καλαμπόκι	Καθαρίστε το και συσκευάστε το με το κότσαλο ή μόνο σπόρια	12	Μπορεί να χρησιμοποιηθεί και κατεψυγμένο.
Καρότο	Καθαρίστε το και κόψτε το σε φέτες	12	Μπορεί να χρησιμοποιηθεί και κατεψυγμένο.
Πιπεριά	Κόψτε το κοτσάνι, κόψτε στα δύο και αφαιρέστε τους σπόρους	8 - 10	Μπορεί να χρησιμοποιηθεί και κατεψυγμένο.
Σπανάκι	Πλυμένο	6 - 9	2
Μήλο και αχλάδι	Κόψτε σε φέτες αφού τα ξεφλουδίσετε	8 - 10	(στην κατάψυξη) 5
Βερίκοκο και ροδάκινο	Κόψτε στη μέση και αφαιρέστε τα κουκούτσια	4 - 6	(στην κατάψυξη) 4
Φράουλα και βατόμουρο	Πλύνετε και καθαρίστε τα	8 - 12	2
Μαγειρεμένα φρούτα	Μέσα σε ένα φλιτζάνι με προθήκη 10% ζάχαρης	12	4
Δαμάσκηνα, κεράσια, βύσσινα	Πλύνετε τα και αφαιρέστε τα κοτσάνια	8 - 12	5 - 7

Γαλακτοκομικά και προϊόντα ζύμης		Προετοιμασία	Χρόνος αποθήκευσης (μήνες)	Συνθήκες αποθήκευσης	
Συσκευασμένο (ομογενοποιημένο) γάλα		Στη συσκευασία του	2 - 3	Ομογενοποιημένο γάλα μόνο	
Τυρί (εκτός από λευκό τυρί)		Σε φέτες	6 - 8	Για βραχυχρόνια αποθήκευση μπορείτε να τα αφήσετε στην αρχική τους συσκευασία. Για μακροχρόνια αποθήκευση θα πρέπει να τυλίγεται με πλαστική μεμβράνη.	
Βούτυρο, μαργαρίνη		Στη συσκευασία του	6		
Αυγό (*)	Ασπράδι αυγού		10 - 12	30 gr ισοδυναμούν με ένα κρόκο.	Σε κλειστό δοχείο
	Μίγμα από αυγά (κρόκος + ασπράδι)	Αναμιγνύετε καλά και προσθέτετε μια πρέζα αλάτι ή ζάχαρη για να μην πήξει πολύ	10	50 gr ισοδυναμούν με ένα κρόκο.	
	Κρόκος αυγών	Αναμιγνύετε καλά και προσθέτετε μια πρέζα αλάτι ή ζάχαρη για να μην πήξει πολύ	8 - 10	20 gr ισοδυναμούν με ένα κρόκο.	

(*) Δεν θα πρέπει να καταψύχονται με το κέλυφος (τσόφλι). Το ασπράδι και ο κρόκος των αυγών πρέπει να καταψύχονται χωριστά ή καλά αναμιγμένα.

	Διάρκεια αποθήκευσης (μήνες)	Χρόνος απόψυξης σε θερμοκρασία δωματίου (ώρες)	Χρονική διάρκεια απόψυξης στο φούρνο (λεπτά)
Ψωμί	4 - 6	2 - 3	4-5 (220-225 °C)
Μπισκότα	3 - 6	1 - 1,5	5-8 (190-200 °C)
Πίτα	1 - 3	2 - 3	5-10 (200-225 °C)
Τάρτα	1 - 1,5	3 - 4	5-8 (190-200 °C)
Φύλλο ζύμης	2 - 3	1 - 1,5	5-8 (190-200 °C)
Πίτσα	2 - 3	2 - 4	15-20 (200 °C)

- Μπορείτε να κρατήσετε την αρχική συσκευασία και το αφρώδες υλικό για τυχόν νέα μεταφορά (προαιρ.).
- Για τη νέα μεταφορά πρέπει να ασφαλίσετε το ψυγείο σας με μεγάλου πάχους συσκευασία, ταινίες ή σχοινιά και να ακολουθήσετε τις οδηγίες σχετικά με τη μεταφορά.
- Αφαιρέστε τα κινητά μέρη (ράφια, αξεσουάρ, συρτάρια λαχανικών κλπ.) ή στερεώστε τα μέσα στο ψυγείο με ταινίες για να αποφύγετε να χτυπηθούν κατά την αλλαγή θέσης και τη μεταφορά.



Μεταφέρετε το ψυγείο σας σε όρθια θέση.

Αλλαγή θέσης της πόρτας

- Δεν μπορεί να αλλάξει η κατεύθυνση που ανοίγει η πόρτα του ψυγείου σας, αν οι λαβές στις πόρτες του ψυγείου σας είναι τοποθετημένες στην μπροστινή επιφάνεια της πόρτας.
- Η κατεύθυνση που ανοίγει η πόρτα μπορεί να αλλάξει σε μοντέλα χωρίς λαβές.
- Αν μπορεί να αλλάξει η κατεύθυνση που ανοίγει η πόρτα, θα πρέπει να απευθυνθείτε στο πλησιέστερο Εξουσιοδοτημένο σέρβις για να αλλάξουν την κατεύθυνση ανοίγματος.

ΠΡΙΝ ΚΑΛΕΣΤΕ ΤΗΝ ΕΞΥΠΗΡΕΤΗΣΗ ΠΕΛΑΤΩΝ**Προειδοποιήσεις Ελέγχου:**

Το ψυγείο παρέχει προειδοποιήσεις όταν οι θερμοκρασίες για το θάλαμο συντήρησης και ψύξης είναι σε ακατάλληλα επίπεδα ή όταν προκύπτει κάποιο πρόβλημα στη συσκευή. Οι κωδικοί των προειδοποιήσεων εμφανίζονται στις ενδείξεις της Κατάψυξης και του Ψυγείου.

ΤΥΠΟΣ ΣΦΑΛΜΑΤΟΣ	ΤΥΠΟΣ ΣΦΑΛΜΑΤΟΣ	ΓΙΑΤΙ	ΤΙ ΠΡΕΠΕΙ ΝΑ ΓΙΝΕΙ
SR	Προειδοποίηση βλάβης	Υπάρχει(-ουν) εξάρτημα ή εξαρτήματα εκτός λειτουργίας ή υπάρχει βλάβη στο ψυκτικό κύκλωμα	Καλέστε το σέρβις το συντομότερο.
LF	Θάλαμος κατάψυξης Όχι αρκετά κρύος	Αυτή η ένδειξη προσοχής θα εμφανίζεται ιδιαίτερα μετά από μεγάλης διάρκειας διακοπή ρεύματος	<ol style="list-style-type: none"> 1. Μην καταψύξετε τα αποψυγμένα τρόφιμα και καταναλώστε τα σύντομα. 2. Ρυθμίστε τη θερμοκρασία κατάψυξης σε πιο ψυχρές τιμές ή ρυθμίστε τη λειτουργία ταχείας κατάψυξης έως ότου ο θάλαμος επανέλθει σε κανονική θερμοκρασία. 3. Μην τοποθετήσετε νωπά τρόφιμα έως ότου αποκατασταθεί το πρόβλημα.
LC	Θάλαμος συντήρησης Όχι αρκετά κρύος	Η ιδανική θερμοκρασία για το θάλαμο συντήρησης είναι +4 °C. Αν δείτε αυτή την ειδοποίηση, τα τρόφιμά σας κινδυνεύουν να αλλοιωθούν.	<ol style="list-style-type: none"> 1. Ρυθμίστε τη θερμοκρασία συντήρησης σε πιο ψυχρές τιμές ή ρυθμίστε τη λειτουργία ταχείας ψύξης έως ότου ο θάλαμος επανέλθει σε κανονική θερμοκρασία. 2. Μην ανοίγετε πολύ την πόρτα έως ότου αποκατασταθεί το πρόβλημα.

LF και LC	Προειδοποίηση μη επαρκούς ψύξης	Συνδυασμός σφάλματος τύπου LF και LC	Αυτό το σφάλμα εμφανίζεται όταν τίθεται σε πρώτη λειτουργία η συσκευή. Θα απενεργοποιηθεί όταν οι θάλαμοι φθάσουν στην κανονική τους θερμοκρασία
HC	Θάλαμος συντήρησης πολύ κρύος	Τα τρόφιμα αρχίζουν να παγώνουν λόγω της πολύ χαμηλής θερμοκρασίας	<ol style="list-style-type: none"> 1. Ελέγξτε αν είναι ενεργοποιημένη η "λειτουργία Ταχείας Ψύξης" 2. Μειώστε τη ρύθμιση θερμοκρασίας της συντήρησης
LOPO	Προειδοποίηση χαμηλής τάσης	Όταν η τάση παροχής ρεύματος πέσει κάτω από 170 V, η συσκευή επιτυγχάνει σταθερή κατάσταση.	Αυτό δεν είναι βλάβη. Έτσι αποτρέπονται ζημιές στο συμπιεστή. Αυτή η προειδοποίηση θα απενεργοποιηθεί όταν η τάση επανέλθει στο απαιτούμενο επίπεδο

Αν δεν λειτουργεί το ψυγείο:

- Υπάρχει διακοπή ρεύματος;
- Έχει συνδεθεί το βύσμα στην πρίζα σωστά;
- Μήπως έχει καεί η ασφάλεια της πρίζας όπου έχει συνδεθεί το ψυγείο, ή η γενική ασφάλεια;
- Υπάρχει αστοχία στην πρίζα; Για να το ελέγξετε, συνδέστε το ψυγείο σε μια πρίζα που είναι σίγουρο ότι λειτουργεί.

Αν το ψυγείο δεν ψύχει αρκετά:

- Είναι σωστή η ρύθμιση της θερμοκρασίας;
- Μήπως η πόρτα του ψυγείου ανοίγει συχνά και παραμένει ανοικτό για μεγάλο χρονικό διάστημα;
- Κλείνει καλά η πόρτα του ψυγείου;
- Μήπως έχει τοποθετηθεί κάποιο σκεύος ή τρόφιμο έτσι ώστε να είναι σε επαφή με την πλάτη του ψυγείου, παρεμποδίζοντας έτσι την κυκλοφορία του αέρα;
- Μήπως το ψυγείο είναι υπερβολικά γεμάτο;
- Υπάρχει αρκετή απόσταση μεταξύ του ψυγείου και του πίσω ή των πλευρικών τοίχων;
- Η θερμοκρασία περιβάλλοντος είναι εντός του εύρους που προβλέπεται στο εγχειρίδιο λειτουργίας;

Αν τα τρόφιμα στο θάλαμο συντήρησης είναι υπερβολικά κρύα

- Είναι σωστή η ρύθμιση της θερμοκρασίας;
- Μήπως τοποθετήθηκαν πρόσφατα πολλά τρόφιμα στην κατάψυξη; Αν ναι, το ψυγείο μπορεί να ψύχει υπερβολικά τα τρόφιμα στο εσωτερικό του θαλάμου συντήρησης, καθώς λειτουργεί για περισσότερο χρόνο ώστε να ψύξει τα τρόφιμα στην κατάψυξη.

Αν το ψυγείο λειτουργεί με πολύ θόρυβο:

Για να διατηρηθεί το επίπεδο ψύξης σύμφωνα με τη ρύθμιση, ο συμπιεστής μπορεί να ενεργοποιείται κατά διαστήματα. Οι θόρυβοι του ψυγείου κατά τα διαστήματα αυτά είναι φυσιολογικοί και οφείλονται στη λειτουργία του. Όταν επιτευχθεί το απαιτούμενο επίπεδο ψύξης, οι θόρυβοι μειώνονται αυτόματα. Αν οι θόρυβοι παραμένουν:

- Είναι σταθερή η συσκευή; Έχουν ρυθμιστεί τα πόδια του ψυγείου;
- Υπάρχει κάτι πίσω από το ψυγείο;
- Μήπως τρίζουν τα ράφια ή σκεύη πάνω στα ράφια; Σε αυτή την περίπτωση, επανατοποθετήστε τα ράφια και/ή τα σκεύη.
- Μήπως δονούνται τα αντικείμενα που έχουν τοποθετηθεί μέσα στο ψυγείο;

Κανονικοί θόρυβοι:**Θόρυβος ραγίσματος (σπάσιμο πάγου):**

- Κατά την αυτόματη απόψυξη.
- Όταν η συσκευή ψύχεται ή θερμαίνεται (λόγω διαστολής των υλικών της συσκευής).

Σύντομο ράγισμα: Ακούγεται όταν ο θερμοστάτης προκαλεί την ενεργοποίηση/ απενεργοποίηση του συμπιεστή.

Θόρυβος συμπιεστή (Κανονικός θόρυβος κινητήρα): Ο θόρυβος αυτός σημαίνει πως ο συμπιεστής λειτουργεί κανονικά. Ο συμπιεστής μπορεί να προκαλεί περισσότερο θόρυβο για λίγο διάστημα όταν ενεργοποιείται.

Θόρυβος που θυμίζει φουσαλίδες και πιπίλισμα: Ο θόρυβος αυτός προκαλείται από τη ροή του ψυκτικού μέσα από τους σωλήνες του συστήματος.

Θόρυβος ροής νερού: Κανονικός θόρυβος από τη ροή του νερού προς το δοχείο εξάτμισης κατά τη διάρκεια απόψυξης. Ο θόρυβος αυτός μπορεί να ακούγεται κατά τη διάρκεια της απόψυξης.

Θόρυβος κινούμενου αέρα (Κανονικός θόρυβος ανεμιστήρα): Ο θόρυβος αυτός μπορεί να ακούγεται σε ψυγεία τεχνολογίας No-Frost κατά τη διάρκεια της κανονικής λειτουργίας του συστήματος, λόγω της κυκλοφορίας αέρα.

Αν συσσωρεύεται υγρασία μέσα στο ψυγείο:

- Είναι οι συσκευασίες των τροφίμων αέριες; Τα δοχεία που τοποθετήθηκαν στο ψυγείο είχαν στεγνώσει καλά;
- Μήπως ανοίγουν πολύ συχνά οι πόρτες του ψυγείου; Όταν ανοίγει η πόρτα,

η υγρασία που περιέχεται στον αέρα του χώρου μπαίνει μέσα στο ψυγείο. Ειδικά στην περίπτωση που ο αέρας του χώρου έχει υψηλή περιεκτικότητα σε υγρασία, όσο πιο συχνά ανοίγει η πόρτα, τόσο περισσότερη υγρασία θα παρατηρείται μέσα στο ψυγείο.

- Ο σχηματισμός σταγόνων νερού στην πλάτη του ψυγείου είναι αναμενόμενη κατά τη διαδικασία της αυτόματης απόψυξης. (Σε στατικά μοντέλα)

Αν οι πόρτες δεν ανοιγοκλείνουν κανονικά:

- Μήπως τα πακέτα των τροφίμων παρεμποδίζουν το κλείσιμο της πόρτας;
- Έχουν τοποθετηθεί σωστά οι πόρτες, τα ράφια και τα συρτάρια;
- Μήπως τα στεγανωτικά στις πόρτες έχουν σπάσει ή σκιστεί;
- Βρίσκεται το ψυγείο σε οριζόντιο δάπεδο;

Αν οι ακμές του ψυγείου όπου βρίσκονται οι μεντεσέδες της πόρτας είναι θερμές:

Ειδικά το καλοκαίρι (ζεστό κλίμα), οι επιφάνειες που έρχονται σε επαφή με τους μεντεσέδες μπορεί να θερμαίνονται περισσότερο κατά τη λειτουργία του συμπιεστή. Κάτι τέτοιο είναι φυσιολογικό.

ΣΗΜΑΝΤΙΚΕΣ ΣΗΜΕΙΩΣΕΙΣ:

- Η θερμικά ασφάλεια προστασίας του συμπιεστή πέφτει μετά από ξαφνική διακοπή ρεύματος ή αν αποσυνδέσετε τη συσκευή, διότι το αέριο στο ψυκτικό σύστημα δεν έχει σταθεροποιηθεί. Αυτό είναι απολύτως φυσιολογικό και το ψυγείο θα επαναλειτουργήσει μετά από 4 ή 5 λεπτά.
- Η ψυκτική μονάδα του ψυγείου είναι κρυμμένη μέσα στον πίσω τοίχο. Συνεπώς, μπορεί να σχηματιστούν σταγονίδια νερού ή πάγος στην πίσω επιφάνεια του ψυγείου, λόγω της λειτουργίας του συμπιεστή κατά διαστήματα. Αυτό είναι φυσιολογικό. Δεν απαιτείται να γίνει απόψυξη εκτός αν η συγκέντρωση πάγου είναι υπερβολική.
- Αν δεν πρόκειται να χρησιμοποιήσετε το ψυγείο για μεγάλο χρονικό διάστημα (π.χ. κατά τις καλοκαιρινές διακοπές), αποσυνδέστε το από την πρίζα. Καθαρίστε το ψυγείο σύμφωνα με το Κεφάλαιο 4 και αφήστε την πόρτα ανοικτή για να αποτραπεί η συγκέντρωση υγρασίας και η δημιουργία οσμών.
- Η συσκευή που έχετε αγοράσει έχει σχεδιαστεί για οικιακή χρήση και μπορεί να χρησιμοποιηθεί μόνο σε σπίτια και μόνο για τους προσδιορισμένους σκοπούς. Δεν είναι κατάλληλο για εμπορική ή δημόσια χρήση. Αν ο καταναλωτής χρησιμοποιήσει τη συσκευή με τρόπο που δεν συμμορφώνεται με αυτά τα χαρακτηριστικά, τονίζουμε πως ο κατασκευαστής και ο αντιπρόσωπος δεν φέρουν καμία ευθύνη για τυχόν επισκευές ή για βλάβες εντός της περιόδου της εγγύησης.
- Αν το πρόβλημα παραμένει ενώ έχετε ακολουθήσει τις παραπάνω οδηγίες, επικοινωνήστε με ένα εξουσιοδοτημένο κέντρο σέρβις.

- 1**–Εγκαταστήστε τη συσκευή σε δροσερό, καλά αεριζόμενο χώρο, άλλα όχι σε ήλιο και όχι κοντά σε πηγή θερμότητας (σώμα θέρμανσης, κουζίνα κλπ.). Διαφορετικά χρησιμοποιήστε μια μονωτική πλάκα.
- 2**– Αφήνετε τα θερμά φαγητά και ποτά να κρυώσουν έξω από τη συσκευή.
- 3**– Όταν αποψύχετε κατεψυγμένα τρόφιμα, τοποθετείτε τα στο θάλαμο συντήρησης. Η χαμηλή θερμοκρασία των κατεψυγμένων τροφίμων θα βοηθήσει στην ψύξη του θαλάμου συντήρησης κατά την απόψυξή τους. Έτσι επιτυγχάνεται εξοικονόμηση ενέργειας. Αν αφήσετε τα κατεψυγμένα τρόφιμα να αποψυχθούν έξω από το ψυγείο, αυτό είναι σπατάλη ενέργειας.
- 4**– Όταν τοποθετείτε ποτά και φαγητά με πολύ νερό, πρέπει να τα καλύπτετε. Διαφορετικά, αυξάνει η υγρασία στη συσκευή. Επομένως επιμηκύνεται ο χρόνο λειτουργίας της. Επίσης η κάλυψη ποτών και φαγητών με πολύ νερό βοηθά στη διατήρηση των οσμών και της γεύσης.
- 5**– Όταν τοποθετείτε τρόφιμα και ποτά, ανοίγετε την πόρτα της συσκευής όσο το δυνατόν για πιο λίγο.
- 6**– Διατηρείτε κλειστά τα καλύμματα όλων των διαφόρων θαλάμων θερμοκρασίας της συσκευής (συρταριού λαχανικών, χώρου έντονης ψύξης κλπ.).
- 7**– Η στεγανοποίηση της πόρτας πρέπει να είναι καθαρή και μαλακή. Αντικαταστήστε τις στεγανοποιήσεις αν έχουν φθαρεί.

Οι τεχνικές πληροφορίες βρίσκονται στην πινακίδα στοιχείων στην εσωτερική πλευρά της συσκευής και στην ενεργειακή ετικέτα.

Ο κώδικας QR στην ενεργειακή ετικέτα που παρέχεται με τη συσκευή αντιπροσωπεύει έναν διαδικτυακό σύνδεσμο προς τις πληροφορίες που σχετίζονται με την απόδοση της συσκευής στη βάση δεδομένων EPREL της ΕΕ.

Φυλάξτε την ενεργειακή ετικέτα για μελλοντική αναφορά, μαζί με το εγχειρίδιο χρήσης και όλα τα άλλα έγγραφα που παρέχονται με τη συσκευή.

Επίσης, μπορείτε να βρείτε τις ίδιες πληροφορίες στη βάση δεδομένων EPREL χρησιμοποιώντας τον σύνδεσμο <https://eprel.ec.europa.eu> και τον αριθμό μοντέλου και αριθμό προϊόντος που θα βρείτε στην πινακίδα στοιχείων της συσκευής.

Δείτε τον σύνδεσμο www.theenergylabel.eu για λεπτομερείς πληροφορίες σχετικά με την ενεργειακή ετικέτα.

ΠΛΗΡΟΦΟΡΙΕΣ ΓΙΑ ΙΝΣΤΙΤΟΥΤΑ ΔΟΚΙΜΩΝ

Η εγκατάσταση και προετοιμασία της συσκευής για οποιαδήποτε πιστοποίηση οικολογικού σχεδιασμού θα πρέπει να συμμορφώνεται με το EN 62552. Οι απαιτήσεις αερισμού, οι διαστάσεις εσοχής και τα ελάχιστα πίσω διάκενα πρέπει να είναι όπως αναφέρονται στο Εγχειρίδιο χρήσης στο ΜΕΡΟΣ 1. Παρακαλούμε επικοινωνήστε με τον κατασκευαστή για οποιεσδήποτε περαιτέρω πληροφορίες, περιλαμβανομένων προγραμμάτων φόρτωσης.

ΕΞΥΠΗΡΕΤΗΣΗ ΠΕΛΑΤΩΝ ΚΑΙ ΣΕΡΒΙΣ

Χρησιμοποιείτε πάντα γνήσια ανταλλακτικά.

Όταν επικοινωνείτε με το τμήμα εξυπηρέτησης πελατών βεβαιωθείτε ότι έχετε διαθέσιμα τα παρακάτω στοιχεία: Όνομα μοντέλου, σειριακό αριθμό και κωδικό service.

Τις παραπάνω πληροφορίες μπορείτε να τις βρείτε στην πινακίδα διαβάθμισης. Μπορεί να υπάρξουν μεταβολές στα παραπάνω στοιχεία χωρίς πρότερη ενημέρωση.

Τα αυθεντικά ανταλλακτικά για συγκεκριμένα τμήματα της συσκευής, είναι διαθέσιμα για τουλάχιστον 7 ή 10 έτη (ανάλογα με τον τύπο του ανταλλακτικού) από την τελευταία μέρα τοποθέτησης του συγκεκριμένου μοντέλου στην αγορά.

Επισκεφτείτε τη σελίδα της εταιρίας μας: www.morris.gr

ΣΗΜΕΙΩΣΗ ΓΙΑ ΤΗΝ ΑΝΑΚΥΚΛΩΣΗ



Το προϊόν που αγοράσατε έχει σχεδιαστεί και κατασκευαστεί με υλικά υψηλών προδιαγραφών και εξαρτήματα που μπορούν να ανακυκλωθούν και να ξαναχρησιμοποιηθούν.

Το σύμβολο υποδεικνύει ότι οι ηλεκτρικές και ηλεκτρονικές συσκευές, στο τέλος της ζωής τους, θα πρέπει να μεταφέρονται σε ειδικούς χώρους απορριμμάτων, ξεχωριστά από τα σκουπίδια του σπιτιού σας. Παρακαλούμε, ρωτήστε τον τοπικό σας δήμο για τον χώρο απόρριψης ηλεκτρικών και ηλεκτρονικών συσκευών ή για τοποθεσία απόρριψης συσκευών προς ανακύκλωση.

Στις χώρες της Ευρωπαϊκής Ένωσης, υπάρχουν σημεία συγκέντρωσης χρησιμοποιημένων ηλεκτρικών και ηλεκτρονικών συσκευών.

Παρακαλούμε, βοηθήστε μας να προστατέψουμε το περιβάλλον που ζούμε!

ΔΗΛΩΣΗ ΣΥΜΜΟΡΦΩΣΗΣ

Με την παρούσα, δηλώνουμε ότι η παρούσα συσκευή συμμορφώνεται προς τις ουσιώδεις απαιτήσεις και τις λοιπές διατάξεις των παρακάτω οδηγιών:

EMC-Directive: 14 / 30 / EU

Low Voltage Directive: 14/ 35 / EU

ErP Directive 09 / 125 / EC

CE Marking: 93 / 68 / EEC

RoHS Directive: 11 / 65 / EU Delegated Directive (EU) 15 / 863

Αντίγραφο της Δήλωσης Συμμόρφωσης υπάρχει στο www.morris.gr





ΕΙΣΑΓΩΓΕΑΣ

Καλλιόπη Καρύδα & ΣΙΑ Ε.Ε.

17ης Νοεμβρίου 87Α

55535, Πυλαία, Θεσσαλονίκη

Τηλ. 2316 006600

Fax. 2316 006650

www.morris.gr

IMPORTER:

Kalliopi Karida & Co LP

87A, 17th November str.

55535, Pylea, Thessaloniki

Tel. 2316 006600

Fax. 2316 006650

www.morris.gr

52350331