

Installing Manual for MORRIS MSU-8550 stacking kit

ATTENTION:

- Two service personnel or more are needed when installing the dryer on drum washing machine.
- Safety accidents may be caused if Installing manual is not followed.
- The stacking kit should be installed when power off.
- Please do not stack the drum washing machine above the dryer.
- The tilted angle of the machine should be less than 30°When installing.
- The stacking kit is suitable for placing clothes and the maximum weight should be less than 16Kg. Children are prohibited from climbing.
- The stacking kit is suitable for both new(See Annex 1 and Figure 1,with vertical stripes) and old(See Annex 2 and Figure 2,with horizontal stripes) platforms, the main difference:
There are only two front adjusting feet on the new platform, and the rear part need to be fixed with two rear fixing blocks;
There are four adjusting feet on the new platform, and the two rear fixed blocks are not needed.
- The stacking kit is suitable for installing drum washing machine with box depth L 440mm/510mm/540mm. It is available for current old platform and new platform models.

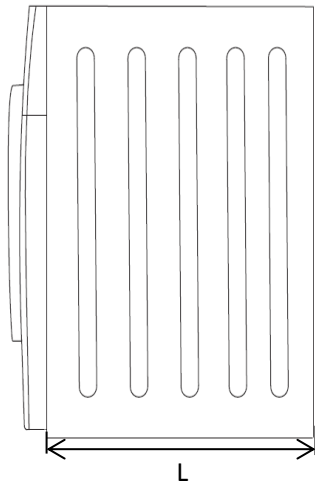


Figure1:Old Platform

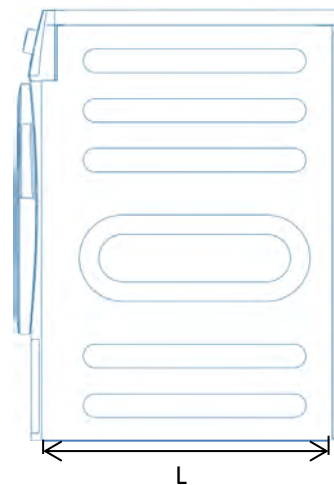
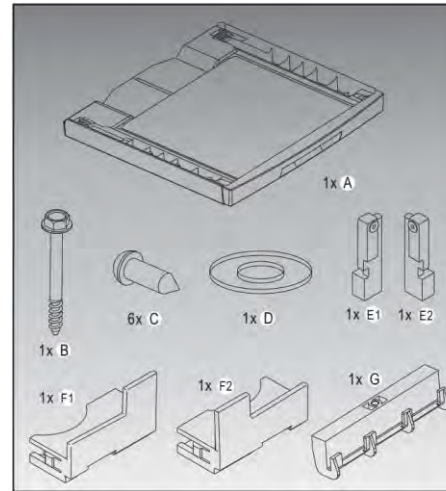


Figure2:New Platform

Accessories

A- Stacking kit (1) ,B- Screw M6 (1) ,C- Screw M4 (6) ,D- Gasket (1) ,E1-Rear fixing block (Right,1) ,E2- Rear fixing block (Left,1) ,F1- Front fixing block (Right,1) ,F2- Front fixing block (Left,1) ,G- Top panel fixing block (1) .

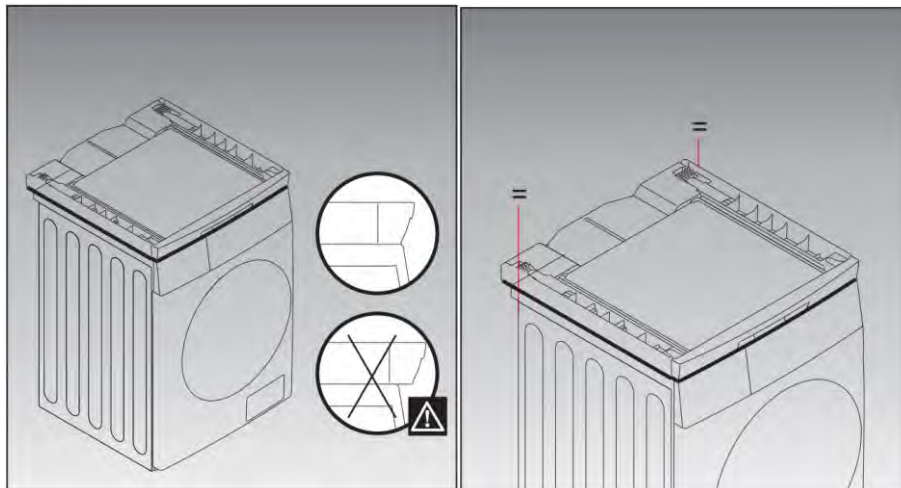


Installing steps:

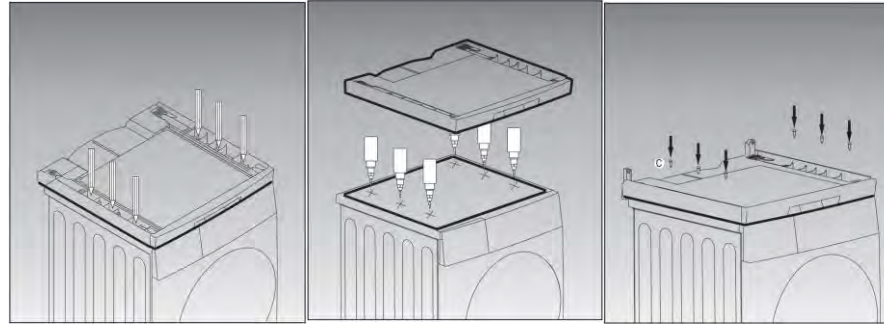
First, ensure the installation of the drum washing machine is completed according to the installing manual of the drum washing machine, and adjust the balance of washing machine.

Second, ensure the accessories are complete.

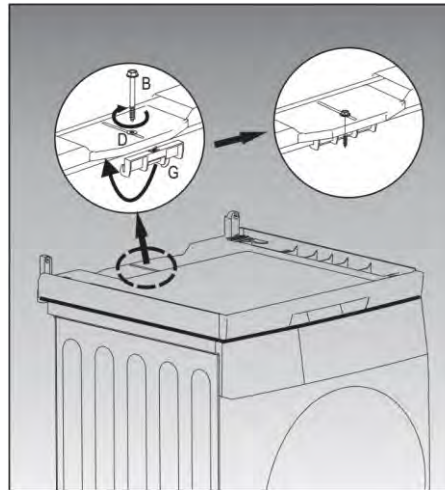
Third, place the stacking kit on the top panel of the drum washer with the handle of the stacking kit at the same side as the control panel of the drum washer. As shown below, align the stacking kit with the washer at the left and right position.



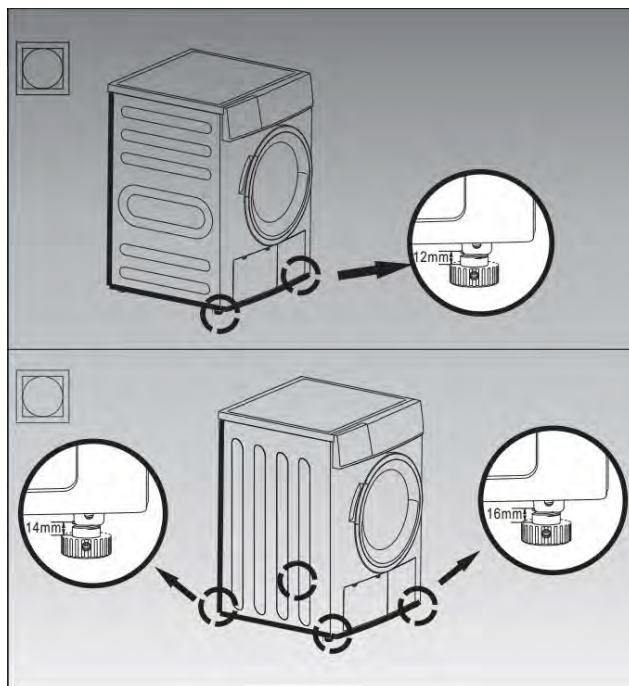
Fourth, identify and drill 6 positioning holes of stacking kit on the top panel of washer, fit 6 screws with broach Φ 3 to fix the stacking kit to the top panel of washer. Control the torque be less than 10nm.



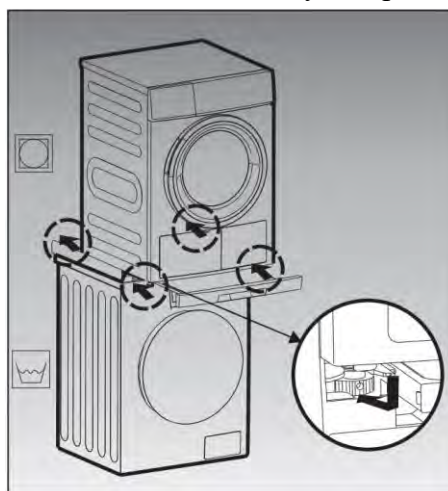
Fifth, install top panel fixing block. Fix the jack catch of the block on the the top panel of washer. Align the mounting hole of the block with the mounting hole of the stacking kit, and fix the block with B-screw M6 and D- Gasket.



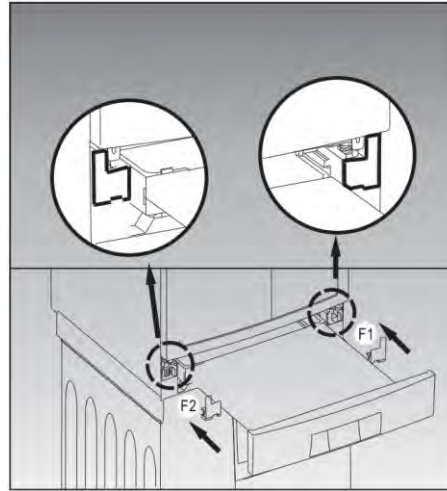
Sixth, adjust anchor nut of the dryer. The new platform needs to be adjusted around only 2 front anchor nut, screwed out 12 mm; the old platform needs to be adjusted around 4 anchor nut, screwed out 16mm for 2 anchor nut in the front, and screwed out 14mm for 2 anchor nut at the back.



Seventh, put the dryer. Pull the drawer handle first, and place the adjusted dryer in the frame of the stacking kit. Note that the front foot is placed on the outside of the card slot first, then push the dryer backwards, so that the foot of the dryer slips into the slot.

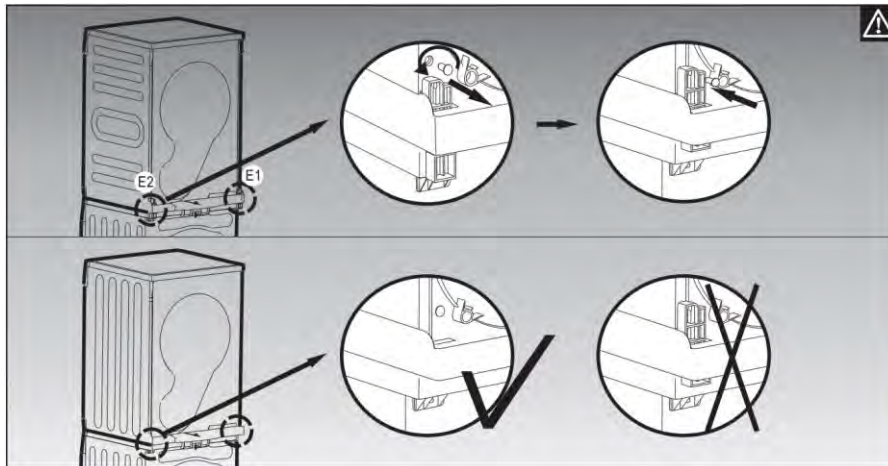


Eighth, then put two front fixing blocks into the slot of the stacking kit respectively, notice the distinction between left and right block.

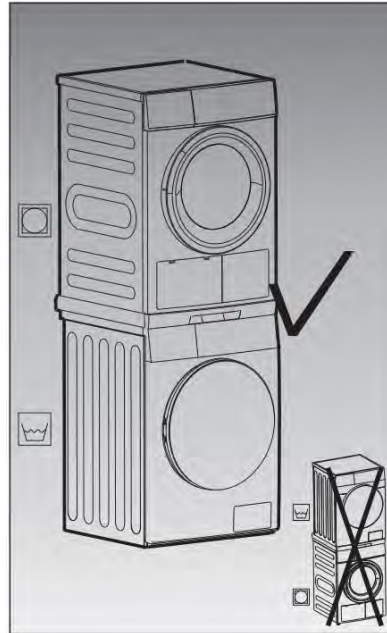


Ninth, remove the 2 screws at the lower side of the side panel after the dryer. Place two rear fixing blocks into the slot of the stacking kit, notice the distinction between left and right block. Then fix two rear fixing blocks with 2 screws removed before.

Note: the old platform dryer does not need to do this step!



Tenth, check if there is loose phenomenon and the handle is normal to pull out, check whether there is interference. If it is OK, installation complete.



AMIRIDIS - SAVVIDIS S.A.
87A, 17th November str.
P.C. 55534, Pylea, Thessaloniki, Greece
T. +302310944944 | F. +302316006650
www.amiridis-savvidis.gr