



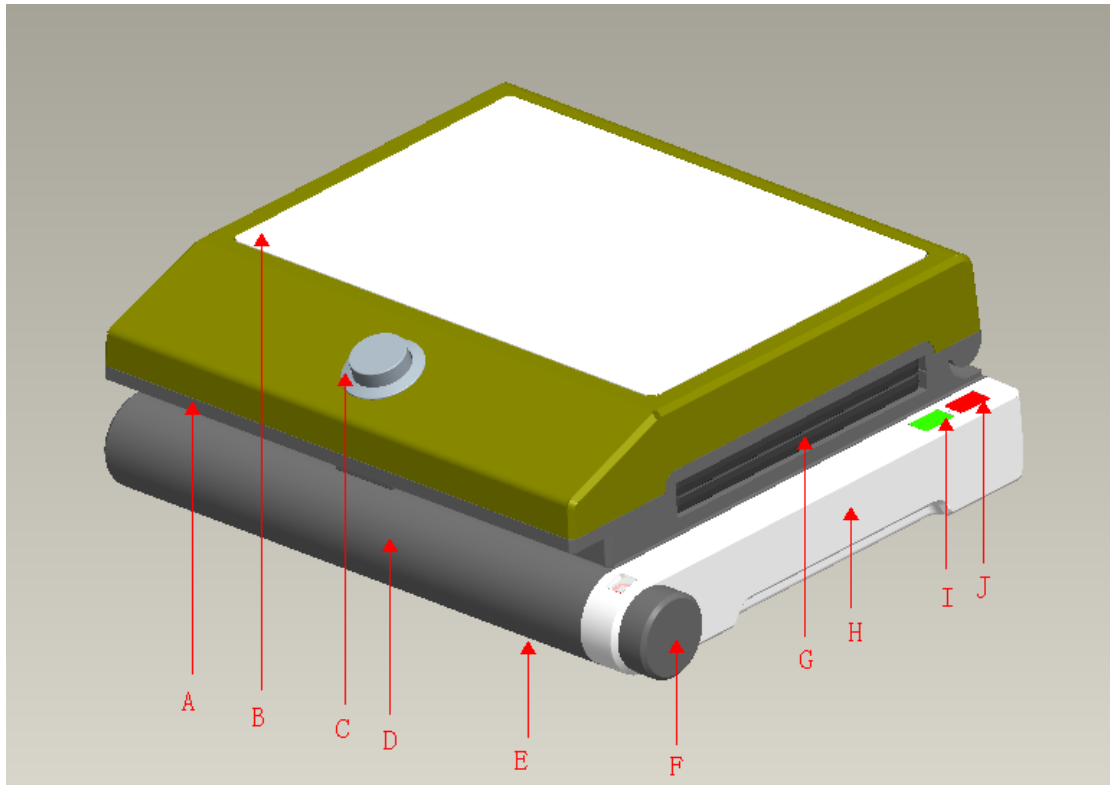
MORRIS

INSTRUCTION MANUAL SANDWICH MAKER WITH DETACHABLE PLATES



MODEL: S1306SM

Please read these operating instructions thoroughly before connecting your device to the mains, in order to prevent damage due to improper use. Pay particular attention to the safety information. Save these instructions for future reference.



Parts description

- A、 TOP SHELL BASE
- B、 DECORATION
- C、 KNOB
- D、 BOTTOM SHELL BASE
- E、 BOTTOM SHELL
- F、 TEMPERATURE KNOB
- G、 BAKING PLATE
- H、 DECORATION STRIP
- I、 READY LAMP
- J、 POWER LAMP

SAFETY INFORMATION

- Please read these operating instructions thoroughly before first operating the sandwich maker and keep them in a safe place.
- If you give this appliance on to a third party, these operating instructions must be also handed over.
- Incorrect operation and handling can lead to malfunction of the appliance and human injuries.
- This appliance is not suitable for commercial use nor use in the open air.
- Before inserting the plug into the mains socket, please check that the current and power supply comply with the specifications on the rating label.
- Disconnect the mains plug from the socket when the appliance is not in use and before cleaning.
- Parts of the appliance become hot during use. Therefore, hold the appliance from the handle.
- Do not immerse the appliance or the mains plug in water or other liquids. There is danger to life due to electric shock!
- Children are unable to recognize the hazards associated with incorrect handling of electrical appliances. Therefore, children should never use electric household appliances unsupervised.
- Do not use the appliance if the mains cable or plug has signs of damage, if the appliance has fallen on the floor or has been damaged. In such cases take the appliance to an authorized specialist for checking and repair
- Ensure that the mains cable does not hung over sharp edges and keep it away from hot objects and open flames.
- Ensure that the mains cable is not pressed between the baking plates or touch the baking plate edge in normal use
- Place the appliance on a stable, level surface and not close to hot objects or open flames (e.g. hotplates).
- Never leave the appliance unattended while in use.
- During operation, the temperature of accessible surfaces may be high.
- The appliance should not be used near or below curtains and combustible materials.
- This appliance can be used by children aged from 8 years and above and persons with reduced physical, sensory or mental capabilities or lack of experience and knowledge if they have been given supervision or instruction concerning the use of the appliance in a safe way and understand the hazards involved. Children shall not play with the appliance. Cleaning and user maintenance shall not be made by children without supervision.
- Children of less than 3 years should be kept away unless continuously supervised. Children aged from 3 years and less than 8 years shall only switch on/off the appliance provided that it has been placed or installed in

its intended normal operating position and they have been given supervision or instruction concerning use of the appliance in a safe way and understand the hazards involved. Children aged from 3 years and less than 8 years shall not plug in, regulate and clean the appliance or perform user maintenance.

- If the supply cord is damaged, it must be replaced by the manufacturer, its service agent or similarly qualified persons in order to avoid a hazard.
- This appliance is not intended to be operated by means of an external timer or separate remote-control system.
- This appliance can be used by Children aged from 8 years and above and persons with reduced physical, sensory or mental capabilities or lack of experience and knowledge if they have been given supervision or instruction concerning use of the appliance in a safe way and understand the hazards involved. Children shall not play with the appliance. Cleaning and user maintenance shall not be made by children unless they are older than 8 and supervised.
- Keep the appliance and its cord out of reach of children less than 8 years
- The surfaces are liable to get hot during use.
- This appliance is intended to be used in household and similar applications such as:
 - staff kitchen areas in shops, offices and other working environments;
 - farm houses;
 - by clients in hotels, motels and other residential type environments;
 - bed and breakfast type environments.

BEFORE INITIAL USE

- Remove all packaging.
- Clean the toasting surfaces with a soft damp cloth and then dry them.
- Unwind the mains cable completely.

OPERATING INSTRUCTIONS

- Connect the appliance to an appropriate socket.
- The control lights illuminate and the plates heat up.
- The appliance must be heated up before grilling. In the meantime, you can prepare your food.
- As soon as the appliance has heated up, the control light goes out.
- You can adjust the temperature setting by turning the temperature knob in the positions from 1-5.
- You can now begin grilling.
- Open up the appliance by pressing the knob and place your sandwich.
- Close the lid, making sure that the catch is engaged.
- Caution; If the food has too much filling, it will not be possible to close the lid. Remove some of the filling. Never use force to close the lid.

- During toasting the temperature regulating thermostat switches off and on again. The control light also switches off and on again.
- After completion of the grilling process (approx. 2-3 minutes) open the lid and remove the food with the help of a flat wooden or plastic spatula. Never use sharp or metal object (e.g. knives, metal spatulas, etc.) as this will damage the Teflon coating of the plates.
- If you wish to grill the food more, close the lid again and wait until the toasting surfaces have reheated sufficiently.
- When the control light illuminates again you can repeat the toasting process as described above.
- After the grilling process is complete, disconnect the mains plug immediately. Leave the appliance open and wait for it to cool down.

Caution:

- The grilling surfaces as well as the sides and top of the appliance get very hot. Avoid any contact. Danger of burning! Only hold from the handle. The appliance must be always positioned horizontally during use.

CHANGING THE PLATES

- Firstly, disconnect the mains plug.
- Allow the appliance to cool down
- Press the release buttons on each side and then take the plates out.
- To replace the plates, put them in place making sure that the tabs fit into the openings and press them down, until they are securely locked.
- Use the matching plates.
- Available plates: Sandwich & Grill

CLEANING AND CARE

- Firstly, disconnect the appliance from the mains supply!
- Clean the appliance only after it has completely cooled down.
- Clean the housing surface and the toasting surfaces of the sandwich toaster with a soft, damp cloth.
- It is easier to remove toast or food crumbs with a very soft brush.
- Never use abrasive cleaning agents or sharp objects (e.g. scrubbing brush or knife) for cleaning.
- Caution: Do not immerse the appliance in water or other liquids. There is danger to life due to electric shock.

TECHNICAL DATA

Operating voltage: 220V-240V~ 50/60Hz

Power: 900W-1100W

NOTICE ABOUT RECYCLING



Your product is designed and manufactured with high quality materials and components which can be recycled and reused. This symbol means that electrical and electronic equipment, at their end-of-life, should be disposed of separately from your household waste. Please dispose of this equipment at your local community waste collection/ recycling centre.

In the European Union there are separate collection systems for used electrical and electronic products.

Please help us to conserve the environment we live in!

DECLARATION OF CONFORMITY

Herewith, Amiridis - Savvidis S.A. states that this product, complies with the requirements of below directives:

EMC-Directive: 14 / 30 / EU

Low Voltage Directive: 14/ 35 / EU

ErP Directive 09 / 125 / EC

CE Marking: 93 / 68 / EEC

RoHS Directive: 11 / 65 / EU & 15 / 863 / EU

The detailed declaration of conformity can be found at www.morris.gr



Exclusive importer in Greece:

Amiridis - Savvidis S.A.

87A, 17th Noemvriou str, P.C. 55534

Thessaloniki – Greece

T: +302316006600 | F: +302316006650

www.amiridis-savvidis.gr