



MORRIS

WIW-81411BI

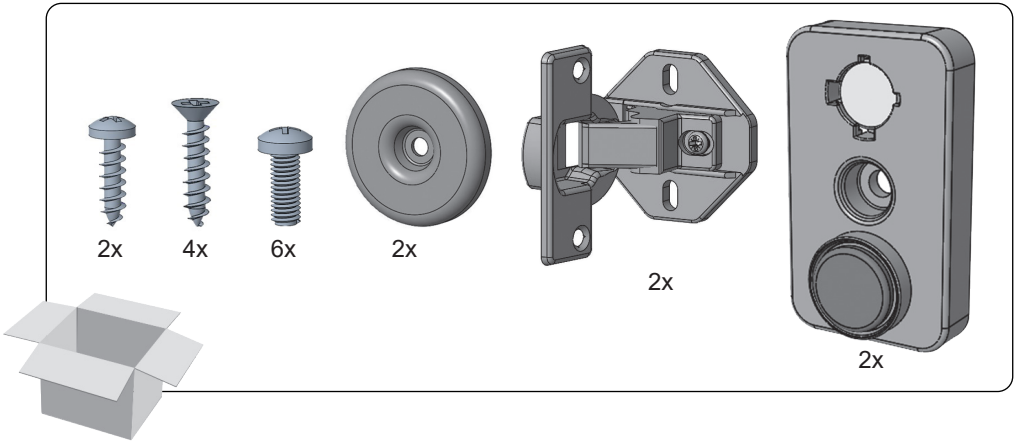
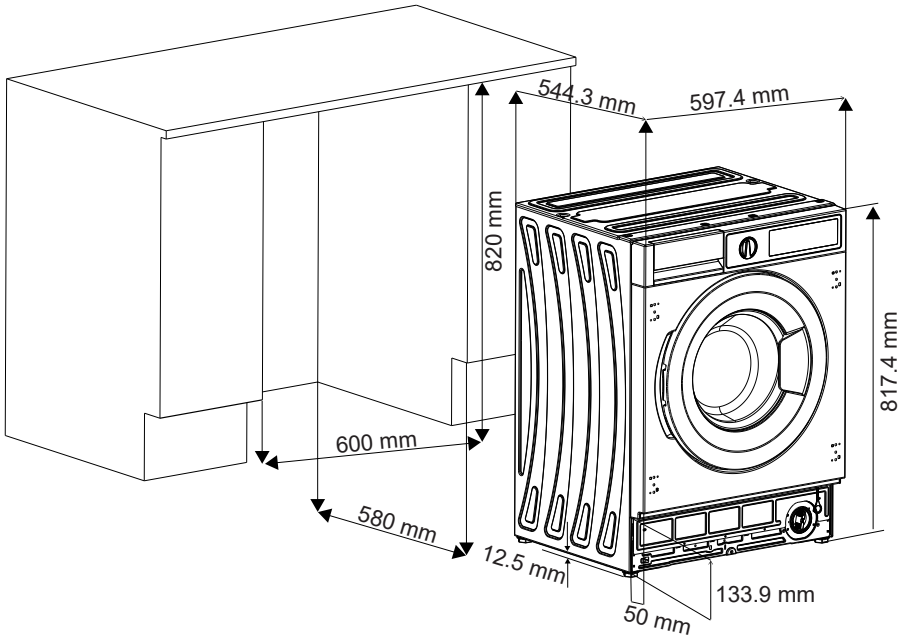
Built-in Installation Manual

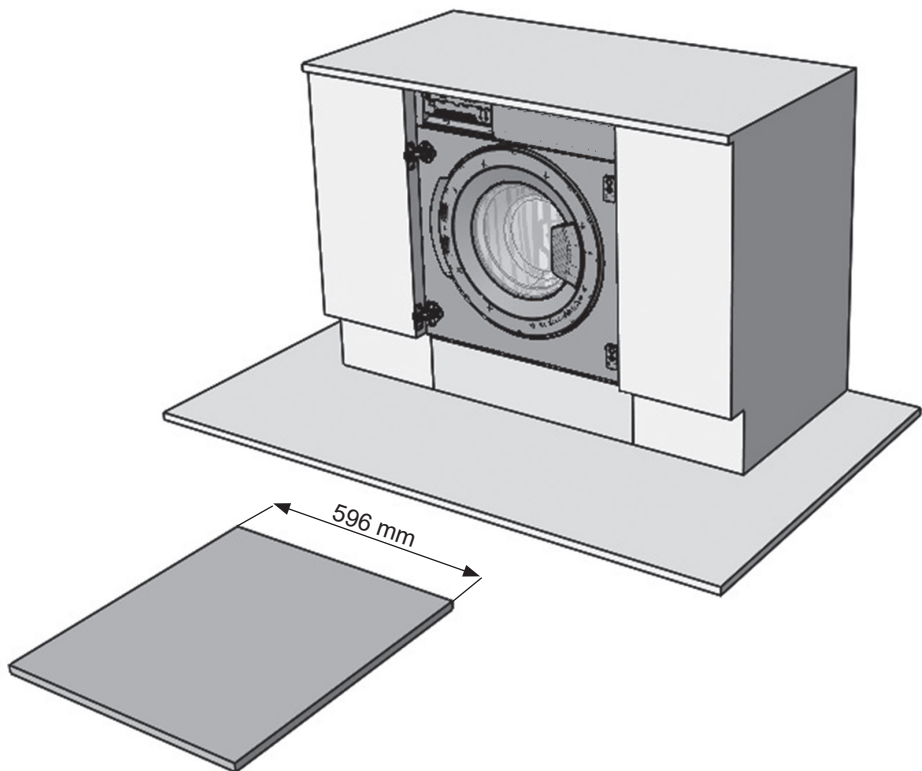
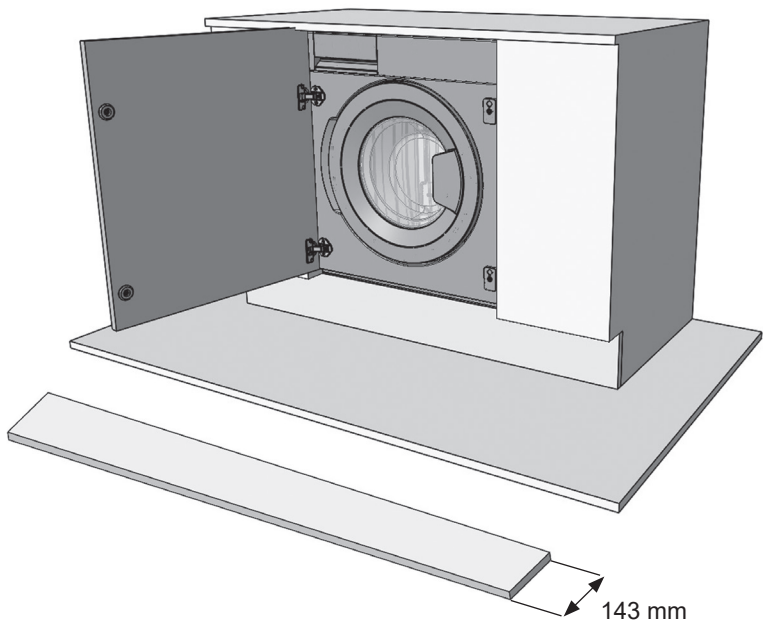
WASHING MACHINE

Please read this manual carefully before use this product

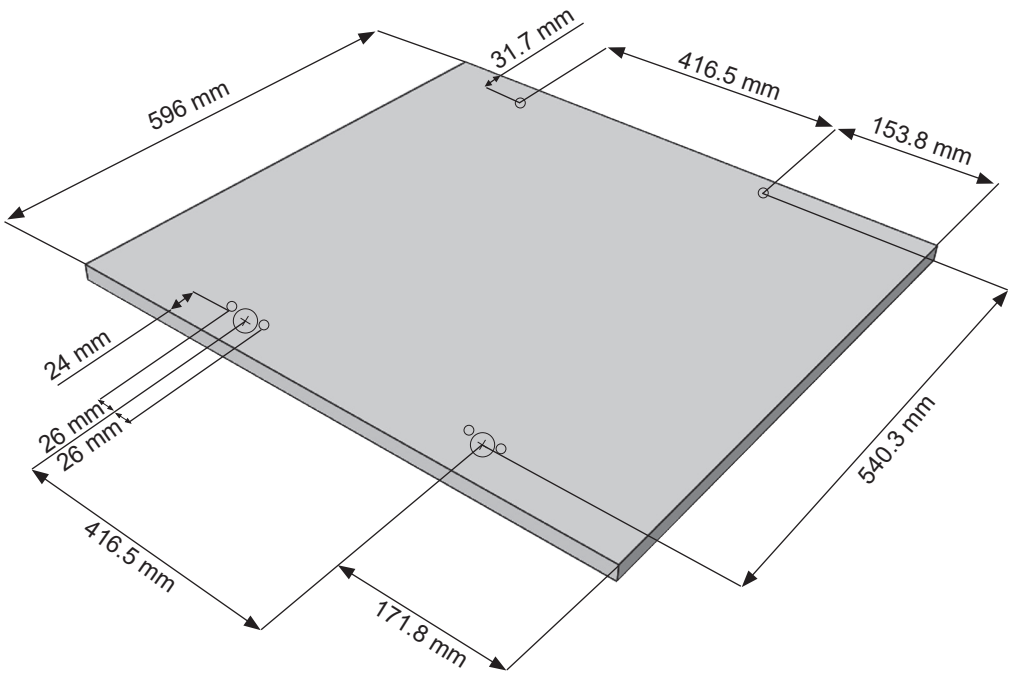
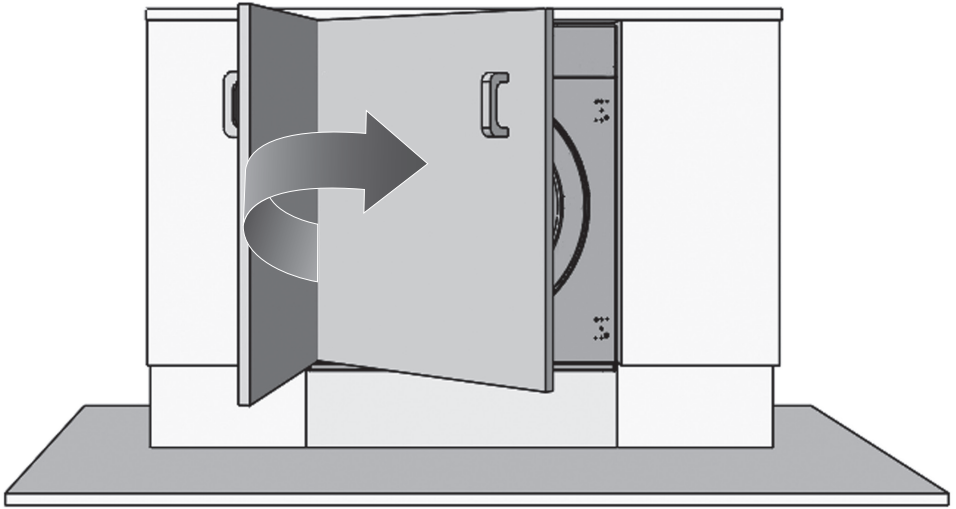
Figures in this manual are schematic and may not match your product exactly.

Operating voltage / frequency (V/Hz)	(220-240) V~/50Hz
Total current (A)	10
Water pressure (Mpa)	Maximum: 1 Mpa Minimum : 0. 1 Mpa
Total power (W)	2100
Maximum dry laundry capacity (kg)	8
Spinning revolution (rev / min)	1400
Programme number	15
Dimensions (mm)	
Height	817.4
Width	597.4
Depth	544.3

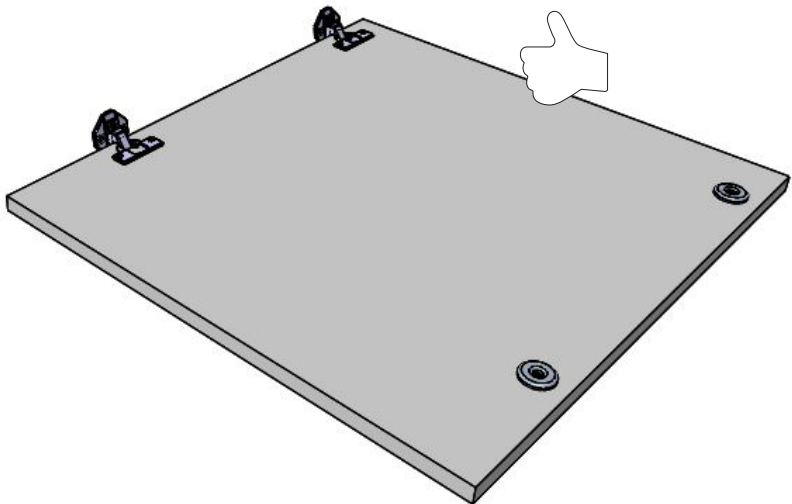
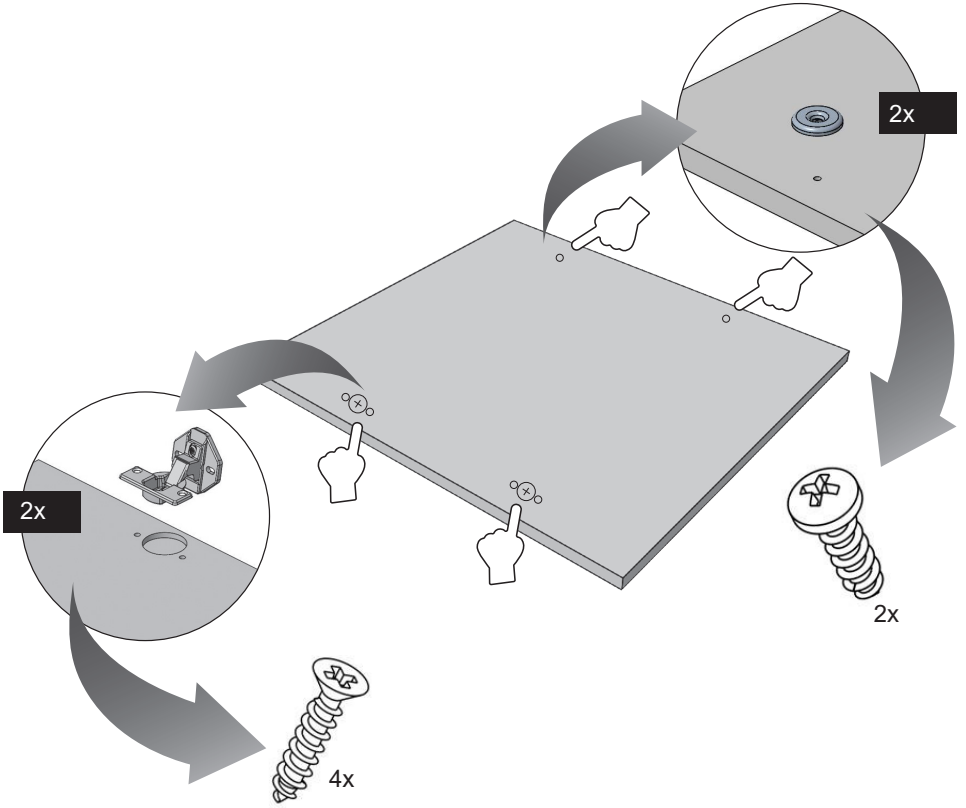




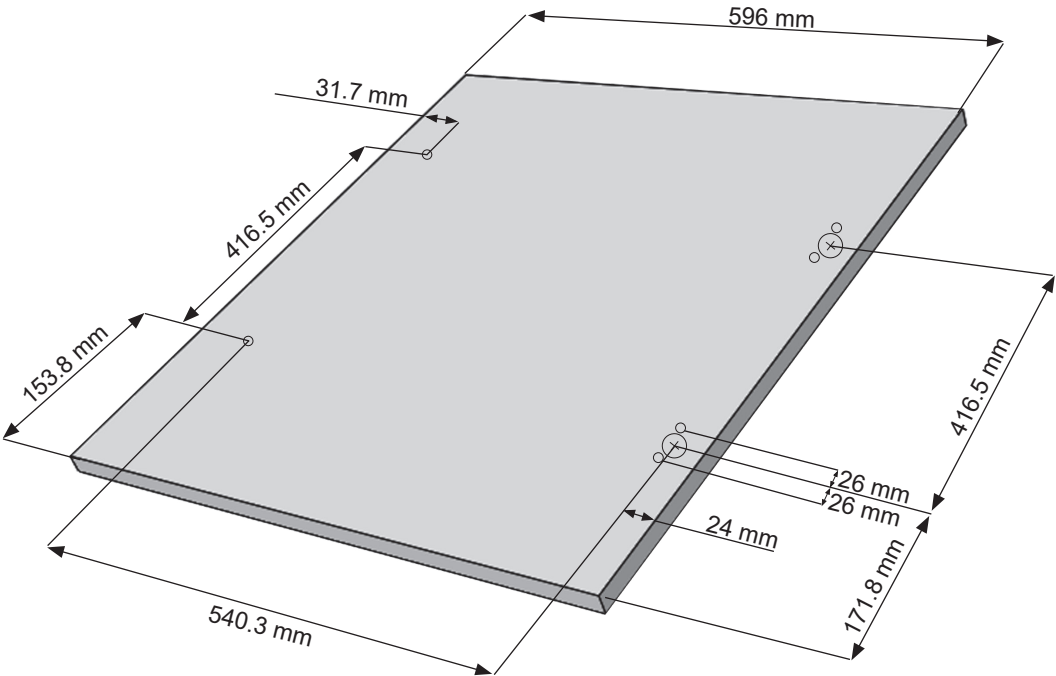
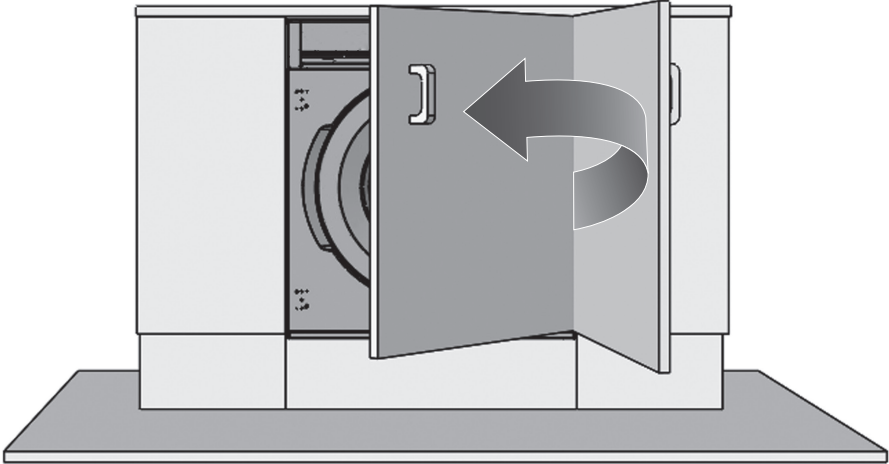
IF THE CABINET DOOR OPENS TO THE LEFT



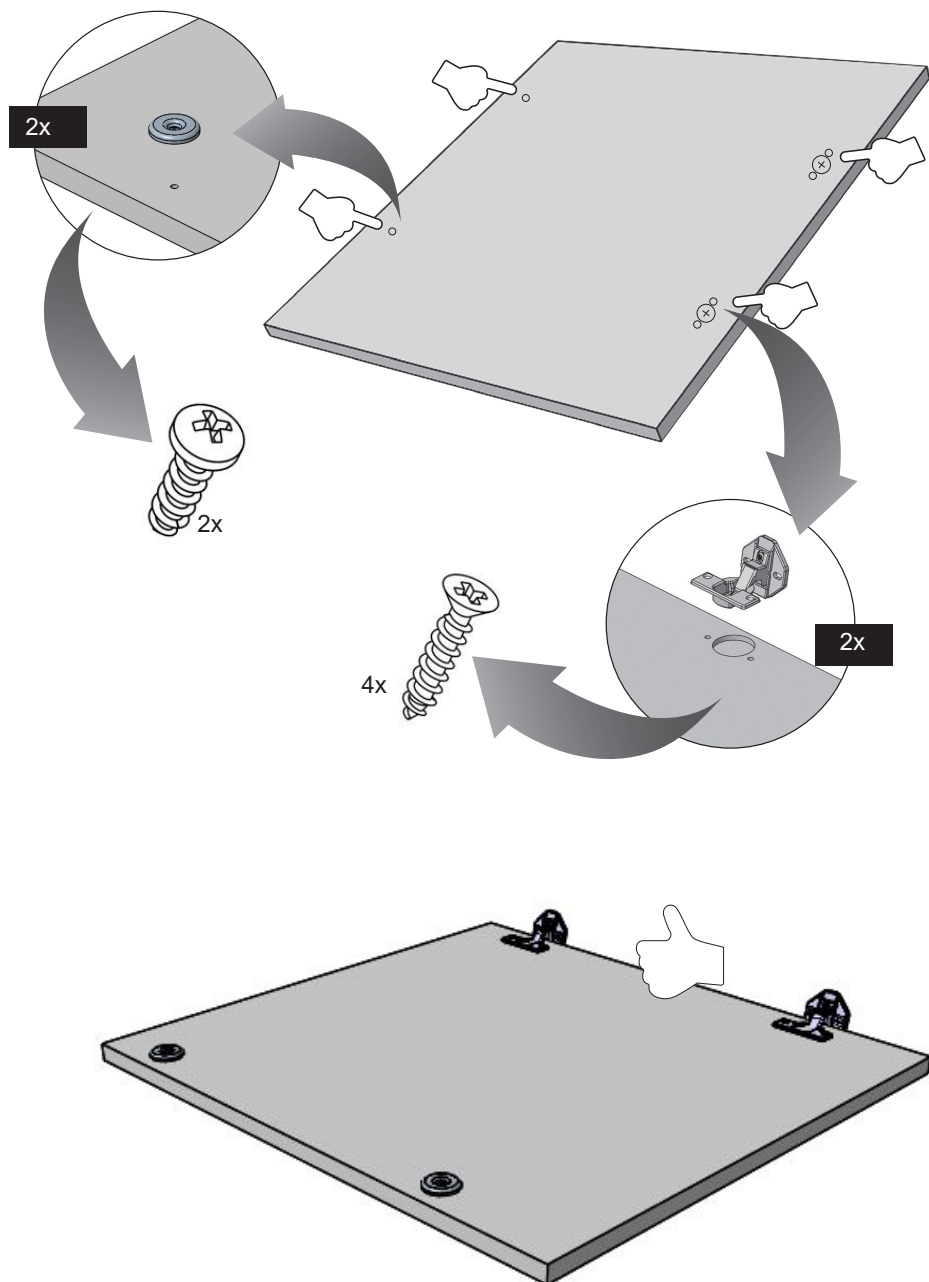
IF THE CABINET DOOR OPENS TO THE LEFT

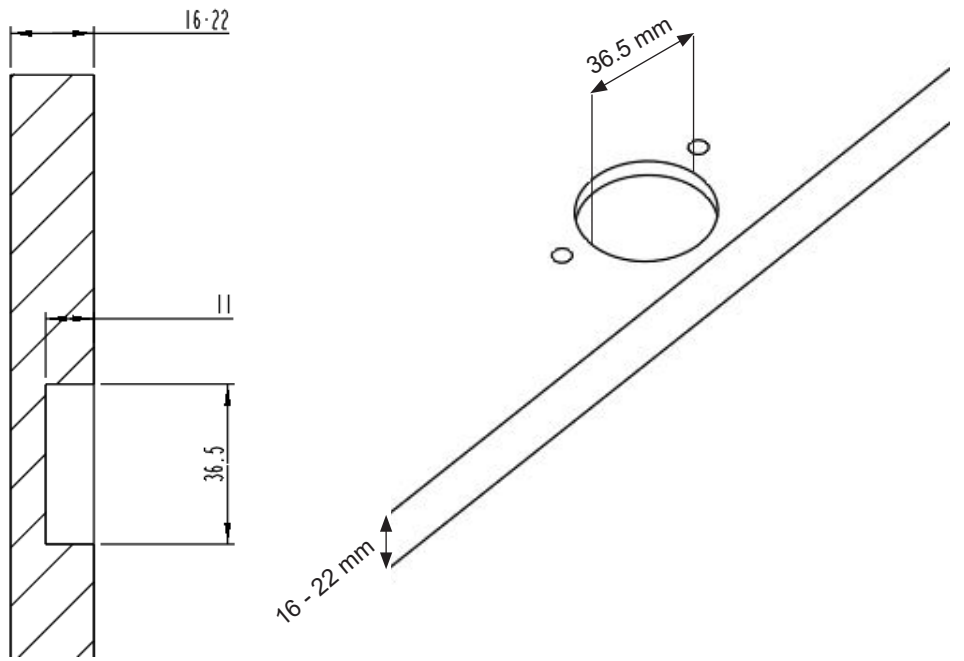
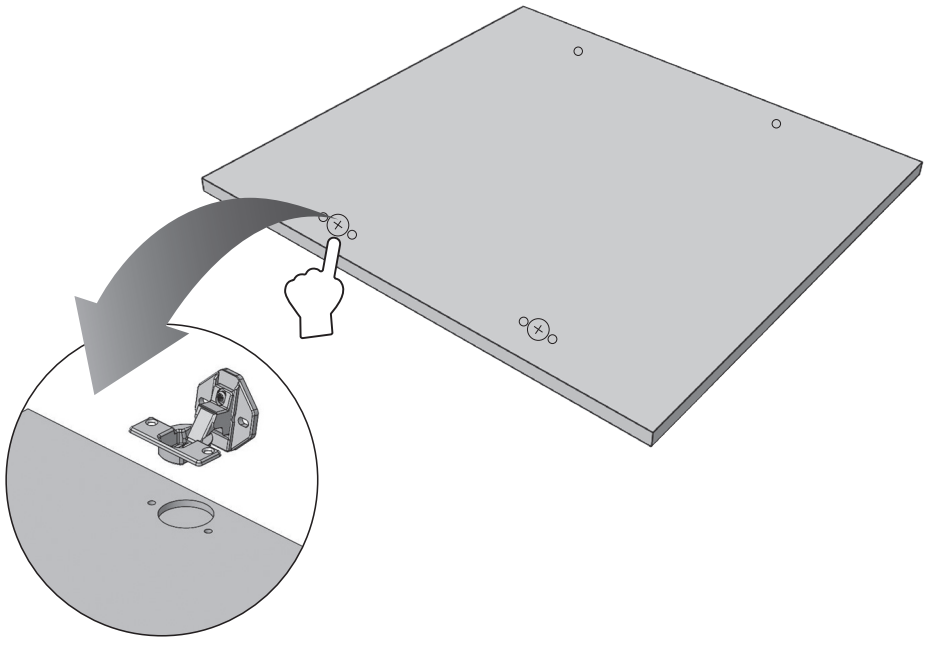


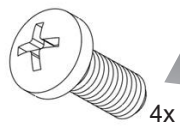
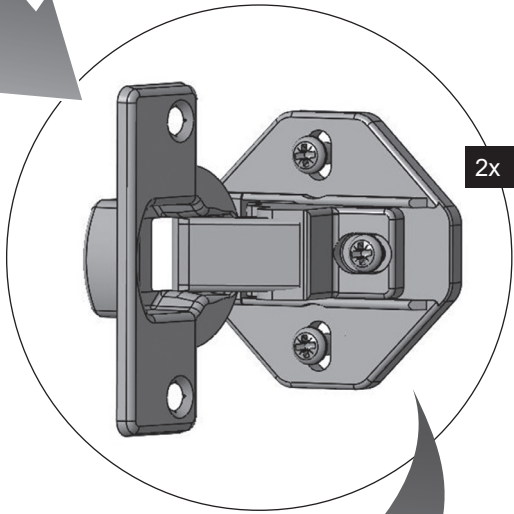
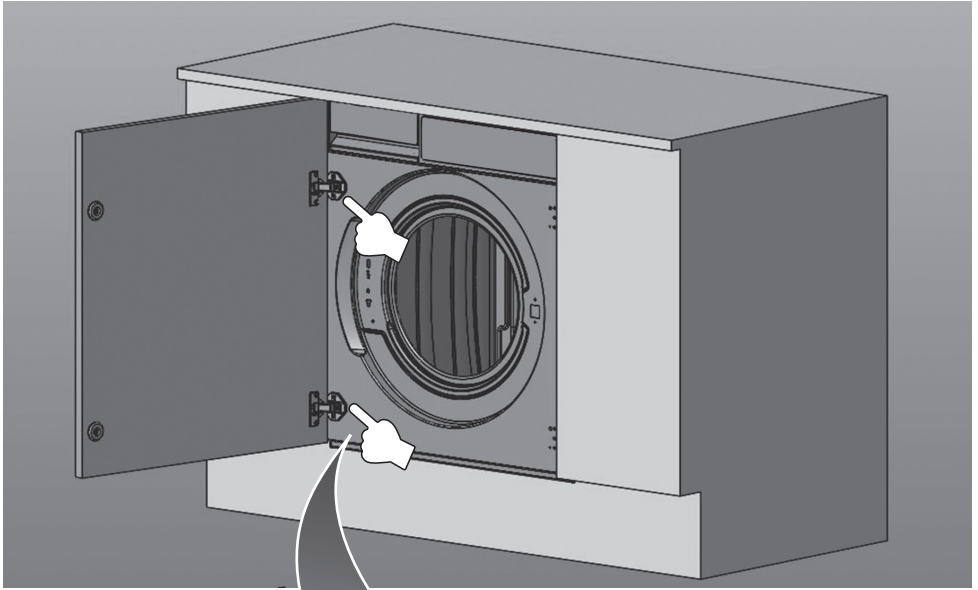
IF THE CABINET DOOR OPENS TO THE RIGHT

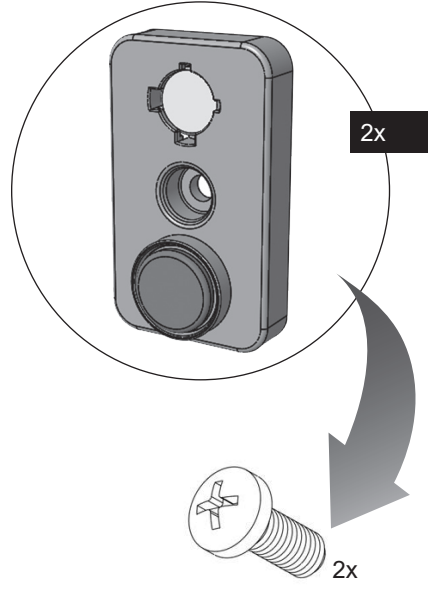
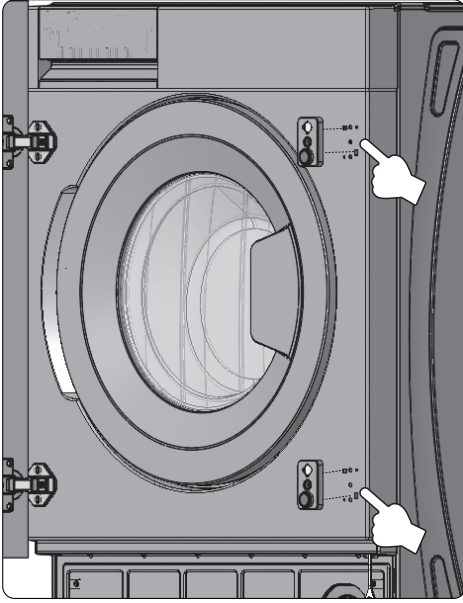


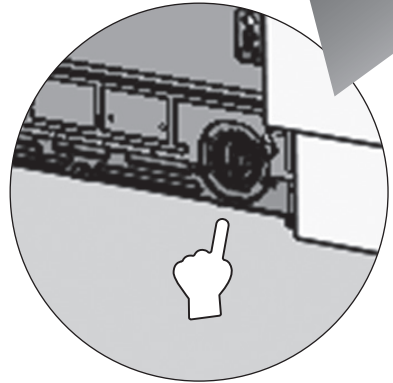
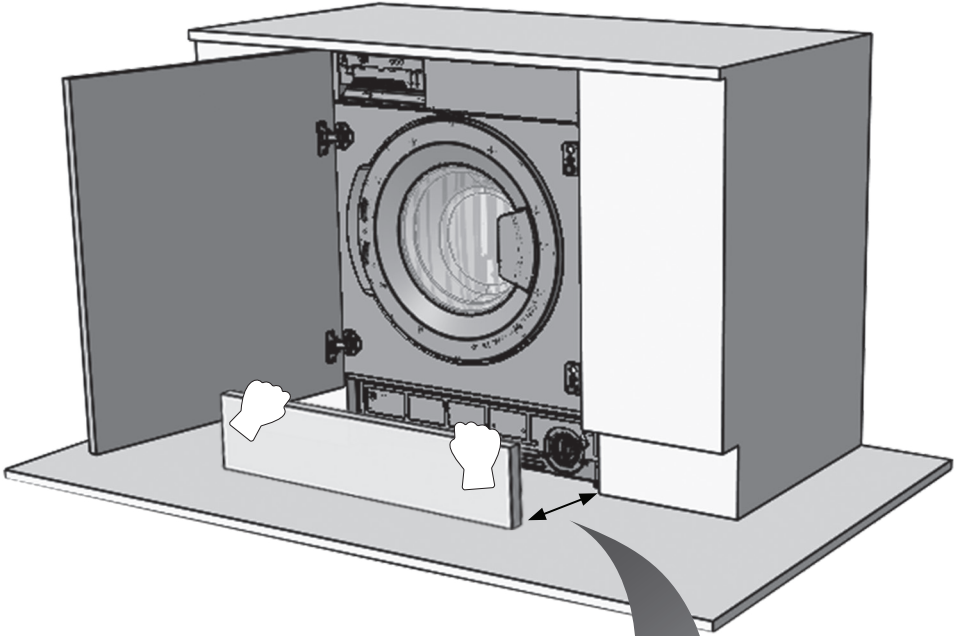
IF THE CABINET DOOR OPENS TO THE RIGHT











IMPORTER:

Kalliopi Karyda & Co, LP
87A, 17th November str.
55535, Pylea, Thessaloniki
Tel. 2316 006600
Fax. 2316 006650
www.morris.gr



52484120