



MORRIS

K80209MW

Please read this manual carefully before use this product

USER MANUAL

MICROWAVE OVEN

IMPORTANT SAFEGUARDS

WARNING: If the door or door seals are damaged, the oven must not be operated until it has been repaired by a trained person.

WARNING: It is hazardous for anyone other than a trained person to carry out any service or repair operation, which involves the removal of any cover, which gives protection against exposure to microwave energy. **WARNING:** Liquids or other food must not be heated in sealed containers since they are liable to explode.

1. Only use utensils that are suitable for use in microwave ovens.
2. Metallic containers for food and beverages are not allowed during microwave cooking.
3. When heating food in plastic or paper containers, keep an eye on the oven due to the possibility of ignition.
4. The microwave oven is intended for heating food and beverages. Drying of food or clothing and heating of warming pads, slippers, sponges, damp cloth and similar may lead to risk of injury, ignition or fire.
5. If smoke is observed, switch off or unplug the appliance and keep the door closed in order to stifle any flames microwave heating of beverages can result in delayed eruptive boiling, therefore care has to be taken when handling the container.
6. The contents of feeding bottles and baby food jars are to be stirred or shaken and the temperature is to be checked before consumption, in order to avoid burns.
7. Eggs in their shell and whole hard-boiled eggs shall not be heated in microwave ovens since they may explode, even after microwave heating has ended.
8. Failure to maintain the oven in a clean condition could lead to deterioration of the surface that could adversely affect the life of the appliance and possibly result in a hazardous situation.
9. The appliance must not be placed in a cabinet.
10. Care should be taken not to displace the turntable when

removing containers from the appliance.

11. The appliance shall not be cleaned with a steam cleaner.
12. The appliance must not be installed equal or higher than 900 mm above the floor. Minimum height of free space necessary above the top surface of the oven: 100mm.

Warning: When the appliance is operated in the combination mode, children should only use the oven under adult supervision due to the temperatures generated.



CAUTION: HOT SURFACE

13. If the supply cord is damaged, it must be replaced by the manufacturer or its service agent or a similarly qualified person in order to avoid a hazard.
14. This appliance can be used by children aged from 8 years and above and persons with reduced physical, sensory or mental capabilities or lack of experience and knowledge if they have been given supervision or instruction concerning use of the appliance in a safe way and understand the hazards involved.
15. Children shall not play with the appliance.
16. Cleaning and user maintenance shall not be made by children without supervision.
17. This appliance is intended to be used in household and similar applications such as:
 - staff kitchen areas in shops, offices and others working environments;
 - farm houses;
 - by clients in hotels, motels and other residential type environments;
 - bed and breakfast type environments.

The appliances are not intended to be operated by means of an external timer or separate remote-control system.

18. Do not directly put cold water into the glass plate after use. It needs to place the glass plate for at least 20 minutes, and then put it into the water to avoid cracking.

INSTALLATION

1. Take out all the packing. If there is a safe film over the oven, tear it off before use. Check carefully for damage. If any, immediately notify dealer or send to the manufacturer's service center.
2. Microwave ovens must be placed under dry and non-corrosiveness environments, kept away from heat and humidity, such as gas burner or water tank.
3. To ensure sufficient ventilation, the distance of the back of microwave to the wall should be at least 10 cm, the side to the wall should be at least 5 cm, the free distance above the top surface at least 20 cm. the distance of the microwave to the ground should be at least 85 cm.
4. The position of the oven shall be such that it is far from the TV, Radio or antenna as picture disturbance, or noise may occur. The distance should be more than 5m.
5. The appliance must be positioned so that the plug is accessible, and must ensure a good grounding in case leakage, ground loop can be formed to avoid electric shock.
6. The microwave oven must be operated with the door closed.
7. The microwave oven must not be placed in a cabinet. The microwave oven is intended to be used freestanding.
8. As there is manufacturing residue or oil remained on the oven cavity or heat element, it usually would smell the odor, even a slight smoke. It is normal case and would not occur after several times use, keep the door or window open to ensure good ventilation. So it is strongly recommended to place a cup of water in the cavity, setting at high power and operate for several times.

CLEANING

CAUTION

The oven should be cleaned regularly and any food deposits removed.

WARNING

- a. Remove the power cord from the wall outlet before cleaning. After cooling products. Don't immerse the appliance in water or other fluids when cleaning.
- b. Failure to maintain the oven in a clean condition could lead to deterioration of the surface that could adversely affect the life of the appliance and possibly result in a hazardous situation.
- c. Never use hard detergent, gasoline, abrasive powder or metal brush to clean any part of the appliance.
- d. Do not remove the waveguide cover.
- e. When the microwave oven has been used for a long time, there may be some strange odors exist in oven, following 3 methods can get rid of them:
 - 1) Place several lemon slices in a cup, then heat with high micro power for 2-3 min.
 - 2) Place a cup of red tea in oven, then heat with high micro power.
 - 3) Put some orange peel into oven, and then heat them with high micro power for 1 minute.
- f. When the product is not used, it should be placed in dry and ventilated areas as well as possible.

Details how to clean surfaces in contact with food:

After use wipe the waveguide cover with a damp cloth, followed by dry cloth to remove any food splashes and grease. Built - up grease may overheat and begin to cause smoke or catch fire.

TIPS FOR CLEANING

Details for cleaning door seals, cavity and adjacent parts:

Exterior:

Wipe the enclosure with a dampened soft cloth.

Door:

Using a dampened soft cloth, wipe clean the door and window.

Wipe the door seals and adjacent parts to remove any spill or spatter.

Wipe the control panel with a slightly dampened soft cloth.

Interior walls:

Wipe clean the interior surfaces with a dampened soft cloth.

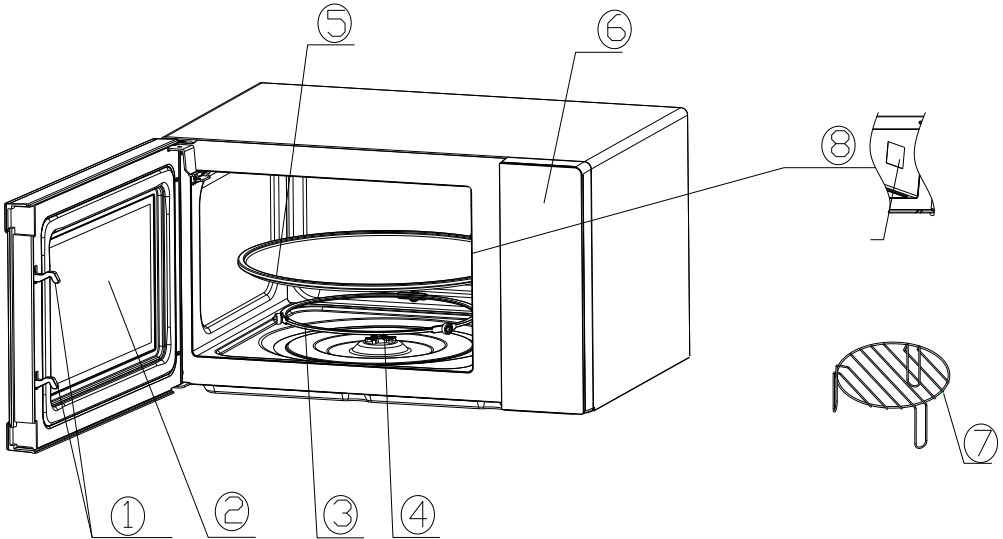
Wipe clean the waveguide cover to remove any food splashed.

Turntable / Rotation ring / Rotation axis:

Wash with mild soap water.

Rinse with clean water and allow drying thoroughly.

PRODUCT INSTRUCTION



1) **Door lock**

Microwave oven door must be properly closed in order for it to operate

2) **Viewing window**

Allow user to see the cooking status

3) **Rotating axis**

The glass turntable sits on the axis, the motor underneath it drives the turntable to rotate

4) **Rotating ring**

The glass turntable sits on its wheels. It supports the turntable and helps it to balance when rotating

5) **Turntable**

The food sits on the turntable, its rotation during operation helps to cook food evenly

- Place the rotating ring first
- Fit the turntable onto the rotating axis and make sure that it is geared in properly

6) **Control panel**

See below in details (the control panel is subject to change without prior notice)

7) **Grill rack**

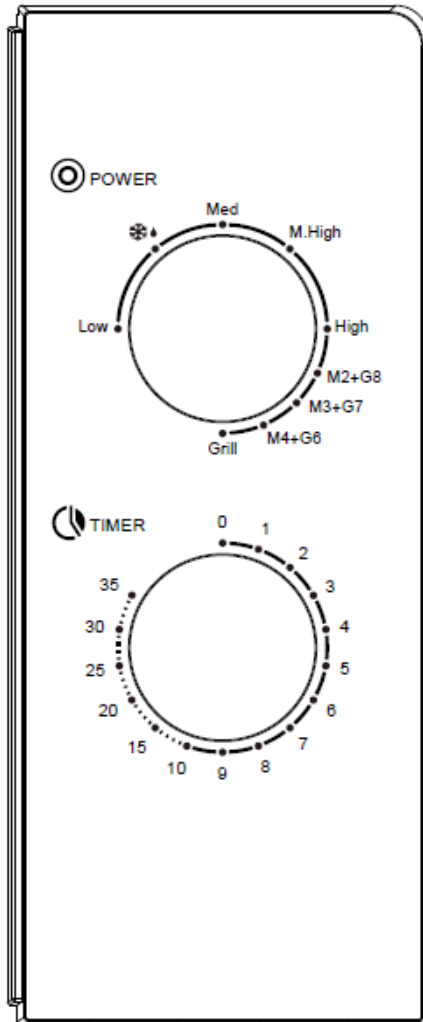
Use to place the roasting food.

8) **Waveguide cover**

It is inside the microwave oven, next to the wall of control panel.

Never remove the waveguide cover.

OPERATION OF CONTROL PANEL



1. CLOCK SETTING

The maximum setting is 35 minutes, there is a ringtone at the end, and the knob returns to the “0” position.

2. MICROWAVE AND GRILL COMBINATION FUNCTION

No.	MICROWAVE POWER	MICROWAVE OUTPUT RATIO	GRILL OUTPUT RATIO
1	Low	17% power output	/
2	Defrost	30% power output	/
3	Med	55% power output	/
4	M.High	80% power output	/
5	High	100% power output	/
6	M2+G8	20% power output	80% power output
7	M3+G7	30% power output	70% power output
8	M4+G6	40% power output	60% power output
9	Grill	/	100% power output

2) Below is some food defrosting time advice:

No.	Weight (g)	Defrost time
1	200	About 4 minutes
2	400	About 8 minutes
3	600	About 12 minutes

OPERATION

1) Connect the cord.

- Before connecting the cord, make sure the timer is set to “0” position.
- Do not block the ventilation.

2) Place the food on the glass turntable and close the door

- Food must be contained in a utensil.
- Do not operate the microwave oven without load, otherwise it will cause damage to the microwave oven.

3) Select the desired microwave power level

4) Set the timer

If the desired time is less than 2 minutes, turn the microwave power knob to over 3 minutes position and then turn back to the desired time setting.

5) Once the desired time is set, the cooking begins. If pausing in midway is needed, just open the door at any time, and close it to resume operation.

6) When it times out and cooking ends, the microwave oven produces a bell ring, the inside lamp will also be automatically turned off. If food is removed before time out, make sure to set back the timer to “0” position, this avoids the microwave oven from operating in empty load.

7) It is recommended to wear gloves when removing the cooked food from oven and be careful do not touch the inner surface of the cavity.

Heating food fast, generally only 2 to 3 minutes, please control in 5 minutes. Please pay attention to the cooking condition of the food at any time and adjust it according to your taste preference. Avoid overheating. When heating porridge, congee, should first stir evenly, and then covered with plastic film (leave corners for ventilation) or with a perforated lid heating.

At mid-point to defrosting time, please open the door to turn the food, so that the defrosting effect is more uniform.

UTENSILS GUIDELINE

It is strongly recommended to use the containers which are suitable and safe for microwave cooking. Generally speaking, the containers which are made of heat-resistant ceramic, glass or plastic are suitable for microwave cooking. Never use the metal containers for microwave cooking and combination cooking as spark is likely to occur. You can take the reference of below table.

Material of container	Microwave	Grill	Combi	Notes
Heat-resistant ceramic	Yes	Yes	Yes	Never use the ceramics which are decorated with metal rim or glazed
Heat-resistant plastic	Yes	No	No	Can not be used for long time microwave cooking
Heat-resistant glass	Yes	Yes	Yes	
Plastic film	Yes	No	No	It should not be used when cooking meat or chops as the over-temperature may do damage to the film
Grill rack	No	Yes	Yes	The grill rack can only be used in grill and combination mode.
Metal container	No	No	No	It should not be used in microwave oven. Microwave can not penetrate through metal.
lacquer	No	No	No	Poor heat-resistant. Can not be used for High-temperature cooking
Bamboo wood and paper	No	No	No	Poor heat-resistant. Can not be used for High-temperature cooking

COOKING TIPS

The following factors may affect the cooking result:

Food arrangement

Place thicker areas towards outside of dish, the thinner part towards the centre and spread it evenly. Do not overlap if possible.

Cooking time length

Start cooking with a short time setting, evaluate it after it times out and extend it according to the actual need. Over cooking may result in smoke and burns.

Cooking food evenly

Food such as chicken, hamburger or steak should be turned once during cooking.

Depending on the type of food, if applicable, stir it from outside to centre of dish once or twice during cooking

Allow standing time

After cooking times out, leave the food in the oven for an adequate length of time, this allows it to complete its cooking cycle and cooling it down in a gradual manner

Whether the food is done

Color and hardness of food help to determine if it is done, these include:

- Steam coming out from all parts of food, not just the edge
- Joints of poultry can be moved easily
- Pork or poultry shows no signs of blood
- Fish is opaque and can be sliced easily with a fork

Browning dish

When using a browning dish or self-heating container, always place a heat-resistant insulator such as a porcelain plate under it to prevent damage to the turntable and rotating ring.

Microwave safe plastic wrap

When cooking food with high fat content, do not allow the plastic wrap come into contact with food as it may melt

Microwave safe plastic cookware

Some microwave safe plastic cookware might not be suitable for cooking foods with high fat and sugar content. Also, the preheating time specified in the dish instruction manual must not be exceeded.

MAINTENANCE

SERVICING

Please check the following before calling for services.

1. Place one cup of water (approx.150ml) in a glass measure in the oven and close the door securely. Oven lamp should go off if the door is closed properly. Let the oven work for 1 min.

2. Does the oven lamp light?

3. Does the cooling fan work?

(Put your hand over the rear ventilation openings.)

4. Does the turntable rotate?

(The turntable can rotate clockwise or counter clockwise. This is quite normal.)

5. Is the water inside the oven hot?

If "NO" is the answer to any of the above questions, please check your wall socket and the fuse in your meter box.

If both the wall socket and the fuse are functioning properly, CONTACT YOUR NEAREST SERVICE CENTER APPROVED.

SERVICING SAFEGUARDS

Caution: MICROWAVE RADIATION

1. The high voltage capacitor remains charge after disconnection; short the negative terminal of H. V capacitor to the oven chassis (use a screwdriver) to discharge before touching.

2. During servicing below listed parts are liable to be removed and give access to potentials above 250V to earth.

- Magnetron
- High voltage transformer
- High voltage capacitor
- High voltage diode
- High voltage fuse

3. The following conditions may cause undue microwave exposure during servicing.

- Improper fitting of magnetron;
- Improper matching of door interlock, door hinge and door;
- Improper fitting of switch support;
- Door, door seal or enclosure has been damaged.

NOTICE ABOUT RECYCLING



Your product is designed and manufactured with high quality materials and components which can be recycled and reused. This symbol means that electrical and electronic equipment, at their end-of-life, should be disposed of separately from your household waste. Please dispose of this equipment at your local community waste collection/ recycling centre.

In the European Union there are separate collection systems for used electrical and electronic products.

Please help us to conserve the environment we live in!

DECLARATION OF CONFORMITY

Herewith, below company states that this product complies with the requirements of below directives:

EMC-Directive: 14 / 30 / EU

Low Voltage Directive: 14/ 35 / EU

ErP Directive 09 / 125 / EC

CE Marking: 93 / 68 / EEC

RoHS Directive: 11 / 65 / EU & Delegating Directive (EU) 15 / 863

The detailed declaration of conformity can be found at

www.morris.gr





Kalliopi Karyda & Co, LP
87A, 17th November str.
55535, Pylea, Thessaloniki
Tel. 2316 006600
Fax. 2316 006650
www.morris.gr